

# **PlasmaSync Plasma Monitor**

## ***PlasmaSync™ 60XM5 PX-60XM5A***

### **Start up Guide**

**Start up Guide**

**Guide rapide**

**Guía de inicio**

**Guia de iniciação**

# **NEC**

NEC Corporation of America



# Start up Guide

## (Enhanced split screen Model)

For the operation of your plasma monitor, refer to the CD-ROM.

## Contents

### Important Information ..... En-2

### Installation ..... En-4

Ventilation Requirements for enclosure mounting .....	En-4
Creating a video wall .....	En-5
Cable Management .....	En-5
Caution when placing the plasma monitor in portrait mode .....	En-6
Using the remote control .....	En-6
Battery Installation and Replacement .....	En-6
Using the wired remote control mode .....	En-6
Operating Range .....	En-6

### Part Names and Function ..... En-7

Front View .....	En-7
Rear View/ Terminal Board .....	En-8
Remote Control .....	En-9

### Basic Operations ..... En-10

POWER .....	En-10
To turn the unit ON and OFF: .....	En-10
VOLUME .....	En-10
To adjust the sound volume: .....	En-10
MUTE .....	En-10
To mute the audio: .....	En-10
DISPLAY .....	En-10
To check the settings: .....	En-10
DIGITAL ZOOM .....	En-10
AUTO ADJUST .....	En-10
To adjust the size or quality of the picture automatically: .....	En-10
OFF TIMER .....	En-10
To set the off timer: .....	En-10
To check the remaining time: .....	En-10
To cancel the off timer: .....	En-10

### OSM (On Screen Menu) Controls ..... En-11

Menu Operations .....	En-11
Menu Tree .....	En-12

### Troubleshooting ..... En-14

### Specifications ..... En-15

### Limited Warranty Plasma Monitors ..... En-16

## User's Manual on CD-ROM

- The complete user's manual is supplied on the CD-ROM in PDF (Portable Document Format) and provides detailed product and useage information for your NEC plasma monitor.

You must have Adobe Acrobat Reader™ or Adobe Reader™ in order to view and/or print the PDF files.

**NOTE:** Adobe Acrobat Reader or Adobe Reader can be downloaded from Adobe's website.

Visit <http://www.adobe.com> and obtain the current version for your OS.

- Viewing the User's Manual (PDF)

#### [Windows]

1. Insert the supplied CD-ROM in your computer's CD-ROM drive.
2. A menu should be displayed automatically.  
If this does not happen:
  - 1) On the Windows desktop, double-click the [My Computer] icon.
  - 2) Double-click the [NECPLASMA-UM] CD-ROM drive letter.
  - 3) Double-click the "start\_menu.pdf".
3. Click your product name.  
The user's manual will be displayed on the screen.

#### [Macintosh]

1. Insert the supplied CD-ROM in your Macintosh's CD-ROM drive.
2. Double-click the [NECPLASMA-UM] CD-ROM icon.
3. Double-click the "start\_menu.pdf".  
The Start Menu will be shown.
4. Click your product name.  
The user's manual will be displayed on the screen.

- Copying the User's Manual (PDF) to your computer

The user's manual on the supplied CD-ROM can be copied onto your computer's hard drive.

ENGLISH

## Contents of the Package

- Plasma monitor (× 1)
- Power cord (× 1, 3 m/9.8 feet)
- Remote control (× 1)
- AAA Batteries (× 2, Manganese battery for remote control)
- Manuals (Start up Guide and CD-ROM)
- Ferrite cores for power cord (× 2), bands for power cord (× 2)
- Ferrite core for remote cable (× 2)
- Cable clampers (× 3), beads bands (× 3)





## Options

- Wall mount unit
- Ceiling mount unit
- Tilt mount unit
- Tabletop Stand
- Attachable speakers

# Important Information

## Precautions

Please read this manual carefully before using your plasma monitor and keep the manual handy for future reference.

	<b>CAUTION</b> RISK OF ELECTRIC SHOCK DO NOT OPEN	
<p><b>CAUTION:</b> TO REDUCE THE RISK OF ELECTRIC SHOCK, DO NOT REMOVE COVER. NO USER-SERVICEABLE PARTS INSIDE. REFER SERVICING TO QUALIFIED SERVICE PERSONNEL.</p>		
	<p>This symbol warns the user that uninsulated voltage within the unit may have sufficient magnitude to cause electric shock. Therefore, it is dangerous to make any kind of contact with any part inside of this unit.</p>	
	<p>This symbol alerts the user that important literature concerning the operation and maintenance of this unit has been included. Therefore, it should be read carefully in order to avoid any problems.</p>	

<b>WARNING</b>
<p>TO PREVENT FIRE OR SHOCK HAZARDS, DO NOT EXPOSE THIS UNIT TO RAIN OR MOISTURE. ALSO DO NOT USE THIS UNIT'S POLARIZED PLUG WITH AN EXTENSION CORD RECEPTACLE OR OTHER OUTLETS, UNLESS THE PRONGS CAN BE FULLY INSERTED. REFRAIN FROM OPENING THE CABINET AS THERE ARE HIGH-VOLTAGE COMPONENTS INSIDE. REFER SERVICING TO QUALIFIED SERVICE PERSONNEL.</p>

## Warnings and Safety Precaution

This plasma monitor is designed and manufactured to provide long, trouble-free service. No maintenance other than cleaning is required. Please see the section "Plasma monitor cleaning procedure".

The plasma display panel consists of fine picture elements (cells) with more than 99.99 percent active cells. There may be some cells that do not produce light or remain lit. For operating safety and to avoid damage to the unit, read carefully and observe the following instructions.

To avoid shock and fire hazards:

1. Provide adequate space for ventilation to avoid internal heat build-up. Do not cover rear vents or install the unit in a closed cabinet or shelves.  
If you install the unit in an enclosure, make sure there is adequate space at the top of the unit to allow hot air to rise and escape. If the monitor becomes too hot, the overheat protector will be activated and the monitor will be turned off. If this happens, turn off the power to the monitor and unplug the power cord. If the room where the monitor is installed is particularly hot, move the monitor to a cooler location, and wait for 60 minutes to cool the monitor. If the problem persists, contact your dealer for service.
2. Do not use this unit's polarized plug with extension cords or outlets unless the prongs can be completely inserted.
3. Do not expose the unit to water or moisture.
4. Avoid damage to the power cord, and do not attempt to modify the power cord.
5. Unplug the power cord during electrical storms or if the unit will not be used over a long period.
6. Do not open the cabinet which has potentially dangerous high voltage components inside. If the unit is damaged in this way the warranty will be void. Moreover, there is a serious risk of electric shock.
7. Do not attempt to service or repair the unit. The manufacturer is not liable for any bodily harm or damage caused if unqualified persons attempt service or open the back cover. Refer all service to authorized Service Centers.
8. This equipment shall be connected to a MAIN outlet with a protective earth-ground connection.
9. The outlet shall be installed near the equipment and shall be easily accessible.

To avoid damage and prolong operating life:

1. Use only with 100 V to 240 V 50 Hz/60 Hz AC power supply. Continued operation at line voltages greater than 100 V to 240 V AC will shorten the life of the unit, and might even cause a fire hazard.
2. Handle the unit carefully when installing it and do not drop.
3. Set the unit away from heat, excessive dust, and direct sunlight.
4. Protect the inside of the unit from liquids and small metal objects. In case of accident, unplug the power cord and have it serviced by an authorized Service Center.
5. Do not hit or scratch the panel surface as this causes flaws on the surface of the screen.
6. For correct installation and mounting it is strongly recommended to use a trained, authorized dealer.
7. As is the case with any phosphor-based display (like a CRT monitor, for example) light output will gradually decrease over the life of a Plasma Display Panel.
8. To avoid sulfurization it is strongly recommended not to place the unit in a dressing room in a public bath or hot spring bath.
9. Do not use in a moving vehicle, as the unit could drop or topple over and cause injuries.
10. Do not place the unit on its side, upside-down or with the screen facing up or down, to avoid combustion or electric shock.
11. To prevent a fire hazard, do not place near an open flame (such as a lighted candle).

Plasma monitor cleaning procedure:

1. Use a soft dry cloth to clean the front panel and bezel area. Never use solvents such as alcohol or thinner to clean these surfaces.
2. Clean plasma ventilation areas with a vacuum cleaner with a soft brush nozzle attachment.
3. To ensure proper ventilation, cleaning of the ventilation areas must be carried out monthly. More frequent cleaning may be necessary depending on the environment in which the plasma monitor is installed.

Recommendations to avoid or minimize image retention:

Like all phosphor-based display devices and all other gas plasma displays, plasma monitors can be susceptible to image retention under certain circumstances. Certain operating conditions, such as the continuous display of a static image over a prolonged period of time, can result in image retention if proper precautions are not taken. To protect your investment in this plasma monitor, please adhere to the following guidelines and recommendations for minimizing the occurrence of image retention:

- \* Always enable and use your computer's screen saver function during use with a computer input source.
- \* Display a moving image whenever possible.
- \* Change the position of the menu display from time to time.
- \* Always power down the monitor when you are finished using it.

If the plasma monitor is in long term use or continuous operation take the following measures to reduce the likelihood of image retention:

- \* Lower the Brightness and Contrast levels as much as possible without impairing image readability.
- \* Display an image with many colors and color gradations (i.e. photographic or photo-realistic images).
- \* Create image content with minimal contrast between light and dark areas, for example white characters on black backgrounds. Use complementary or pastel color whenever possible.
- \* Avoid displaying images with few colors and distinct, sharply defined borders between colors.

Plasma monitor driving sound

The panel of the Plasma monitor is composed of extremely fine pixels and these pixels emit light according to received video signals. This principle may cause you to hear a buzz or electrical hum coming from the Plasma monitor. Also note that the rotation speed of the cooling fan motor increases when the ambient temperature of the Plasma monitor becomes high. You may hear the sound of the motor at that time.

### Note:

The following items are not covered by the warranty.

- Image retention
- Panel generated sound, examples: Fan motor noise, and electrical circuit humming /glass panel buzzing.

Contact your dealer for other recommended procedures that will best suit your particular application needs.

## Warning

Not for use in a computer room as defined in the Standard for the Protection of Electronic Computer/ Data Processing Equipment ANSI/NFPA 75.

This equipment has been tested and found to comply with the limits for a Class B digital device, pursuant to Part 15 of the FCC Rules. These limits are designed to provide reasonable protection against harmful interference in a residential installation. This equipment generates, uses, and can radiate radio frequency energy and, if not installed and used in accordance with the instructions, may cause harmful interference to radio communications. However, there is no guarantee that interference will not occur in a particular installation. If this equipment does cause harmful interference to radio or television reception, which can be determined by turning the equipment off and on, the user is encouraged to try to correct the interference by one or more of the following measures:

- Reorient or relocate the receiving antenna.
- Increase the separation between the equipment and receiver.
- Connect the equipment into an outlet on a circuit different from that to which the receiver is connected.
- Consult the dealer or an experienced radio / TV technician for help.

This Class B digital apparatus complies with Canadian ICES-003.

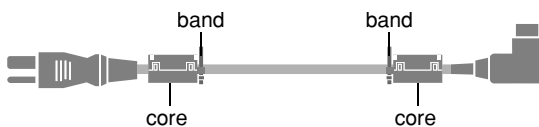
### NOTE:

When you use an RGB cable (not supplied), use an RGB cable including the ferrite core (not supplied) on both ends of the cable. If you do not this, this monitor will not conform to mandatory FCC standards.

### NOTE:

When you use the power cable (supplied), use the supplied ferrite cores. Set the ferrite cores (supplied) on both ends of the power cable (supplied), and then use the bands (supplied) to fasten the ferrite cores (supplied) to the power cable (supplied). If you do not this, this monitor will not conform to mandatory FCC standards.

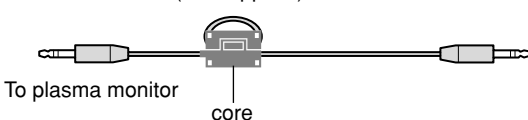
Power cable (supplied)



### NOTE:

When you use a remote cable (not supplied), use the supplied ferrite core. Wind the remote cable (not supplied) around the ferrite core (supplied) once, and then fasten the catch. If you do not this, this monitor will not conform to mandatory FCC standards.

Remote cable (not supplied)



## WARNING

This product equipped with a three-wire grounding (earthed) plug - a plug that has a third (grounding) pin. This plug only fits a grounding-type power outlet. If you are unable to insert the plug into an outlet, contact a licensed electrician to replace the outlet with a properly grounded one. Do not defeat the safety purpose of the grounding plug.

## Operating Environment

Operating environment temperature and humidity: 0 °C to +40 °C (+32 °F to +104 °F); less than 80 %RH (cooling vents not blocked)

Do not install this unit in a poorly ventilated area, or in locations exposed to high humidity or direct sunlight (or strong artificial light)



## Disposing of your used product

EU-wide legislation as implemented in each Member State requires that used electrical and electronic products carrying the mark (left) must be disposed of separately from normal household waste. This includes plasma monitors and their electrical accessories. When you dispose of such products, please follow the guidance of your local authority and/or ask the shop where you purchased the product.

After collecting the used products, they are reused and recycled in a proper way. This effort will help us reduce the wastes as well as the negative impact to the human health and the environment at the minimum level.

The mark on the electrical and electronic products only applies to the current European Union Member States.

## CAUTION

When disposing of used batteries, please comply with governmental regulations or environmental public instruction's rules that apply in your country/ area.

## CAUTION

When changing batteries, use only conventional non-rechargeable alkaline or manganese batteries (2).

Risk of explosion if battery is replaced by an incorrect type. Dispose of used batteries according to the institutions.

# Installation

You can attach your optional mounts or stand to the plasma monitor in one of the following two ways:

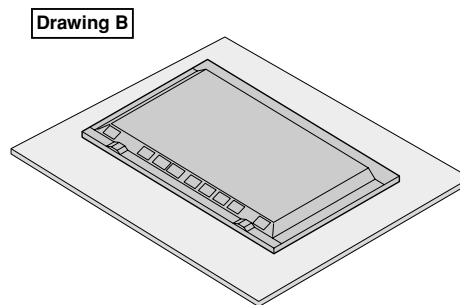
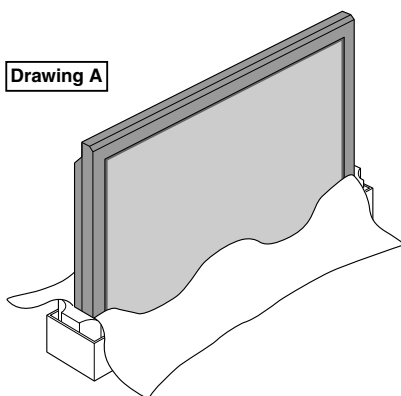
- \* While it is upright. (See Drawing A)
- \* As it is laid down with the screen face down (See Drawing B). Lay the protective sheet, which was wrapped around the monitor when it was packaged, beneath the screen surface so as not to scratch the screen face.
- \* Do not touch or hold the screen face when carrying the unit.

- **This device cannot be installed on its own. Be sure to use a stand or original mounting unit. (Wall mount unit, Stand, etc.)**
  - **For correct installation and mounting it is strongly recommended to use a trained, authorized dealer.**
- Failure to follow correct mounting procedures could result in damage to the equipment or injury to the installer.**
- Product warranty does not cover damage caused by improper installation.**

## CAUTION

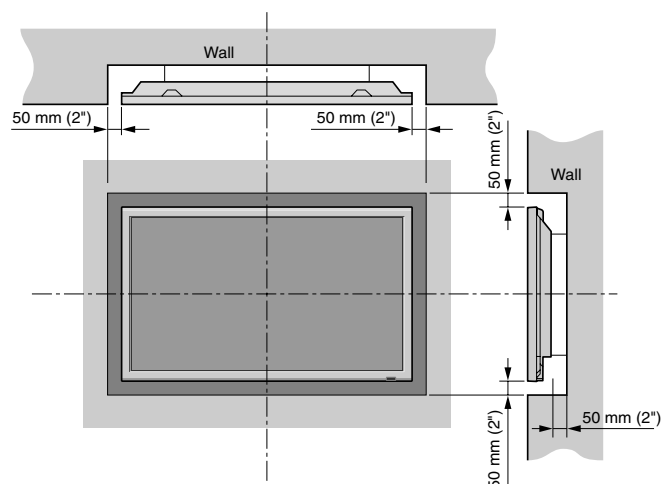
- **Install the device following the installation manual of the optional accessory.**
- **Install the device in a stable and level environment that is strong enough to support the weight.**
- **Use the specified clasps for installing.**
- **After installation, take appropriate measures to prevent the plasma from tipping over or falling.**
- **Make sure to move or install the device with more than one person(s).**

\* Use only a mounting kit or stand recommended by the manufacturer and listed as an accessory.



## Ventilation Requirements for enclosure mounting

To allow heat to disperse, leave space between surrounding objects as shown on the diagram when installing.

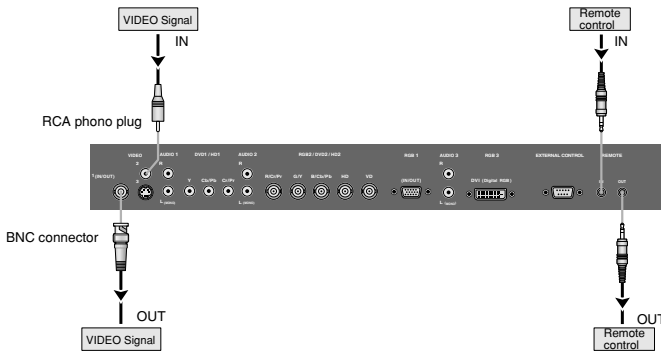


## Creating a video wall

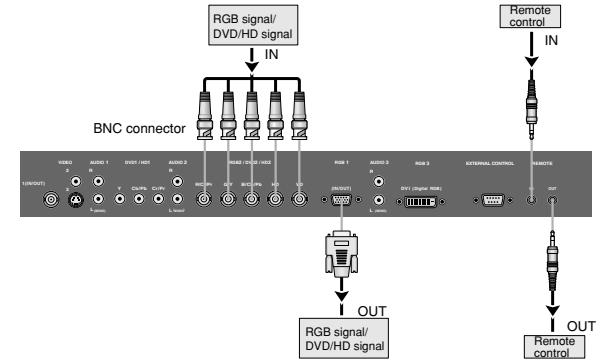
With built-in matrix display capability, you can create a (2×2, 3×3, 4×4, 5×5, 5×1, 1×5) video wall.

- Connect signal cables and remote cables as shown below.

### Video signal



### RGB/DVD/HD signal



### Note:

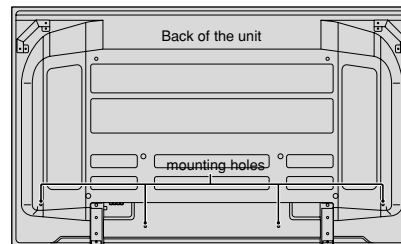
1. The VIDEO1 and RGB1 terminals can be used for either INPUT or OUTPUT. When LOOP OUT is ON, do not connect an OUTPUT signal from another unit as it may damage the other unit due to an extraordinary load.
2. LOOP OUT can not be turned ON while signals are input to the RGB1 terminal.
3. LOOP OUT can be turned ON while signals are input to the RGB1 terminal if the POWER is switched ON.

### Information

- To loop signals out to another plasma display, set the LOOP OUT to ON.
- To create a video wall, set the VIDEO WALL menu items properly.
- To connect monitors, please use a 1 m to 2 m (3.3 feet to 6.6 feet) BNC cable (any commercially available cable).
- If the image quality is poor, do not use the monitor's out terminal. Use a distribution amplifier (any commercially available distribution amplifier) to connect the split signals to the respective monitor INPUT terminals.
- Being used as a video wall function, maximally 4-screen is rough-standard with lower than 1024×768, 60 Hz signal.
- A distribution amplifier is particularly recommended when creating a 3×3 (or greater) video wall.
- When looping from plasma to plasma, a 1 m to 2 m (3.3 feet to 6.6 feet) 15 pin male D-Sub - 5BNC conversion cable is required.

## Cable Management

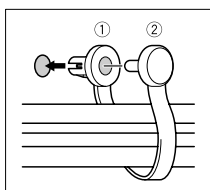
Using the cable clampers and beads bands provided with the plasma display; Bundle the signal and audio cables at the back of the unit to connect to the display.



### To attach

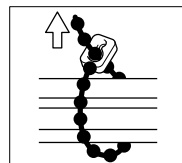
Insert ① into a mounting hole, then snap ② into the back of ① to fix the clumper.

Clampers are designed to be difficult to undo once in place. Please attach carefully. Cables can be routed to the right or left.



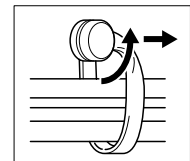
Bunch separated cables together and secure them with the provided beads bands.

Do not allow excessive stress to be placed on the ends of cables.



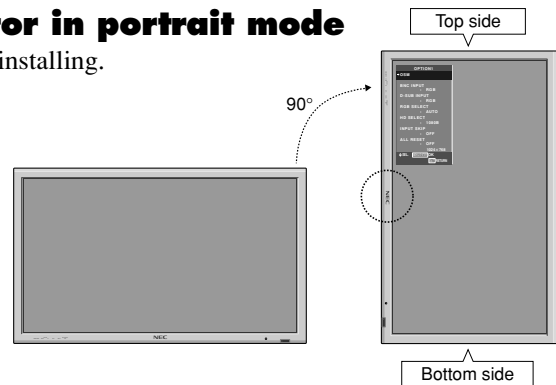
### To detach

Using pliers, twist the clumper 90° and pull it outward. In some cases the clumper may have deteriorated over time and may get damaged when removed.



## Caution when placing the plasma monitor in portrait mode

- Use the optional mount. Contact your store to purchase before installing.
- Rotate 90° clockwise as seen from the front when installing.
- After installing, make sure the NEC logo is located at the left hand side of the screen when facing the plasma from the front.
- Be sure to set “OSM ANGLE” to “V” when using.
- \* Failure to heed the above cautions may lead to malfunction.



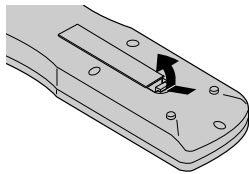
## Using the remote control Battery Installation and Replacement

Designated batteries:

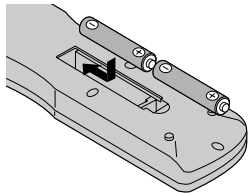
Please use size AAA (R03) or AAA (LR03).

Insert the 2 “AAA” batteries, making sure to set them in with the proper polarity.

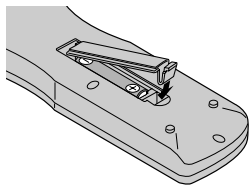
1. Press and open the cover.



2. Align the batteries according to the ⊕ and ⊖ indication inside the case.



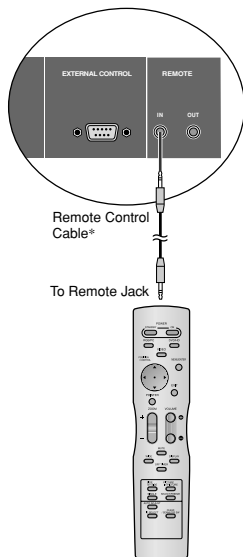
3. Replace the cover.



## Using the wired remote control mode

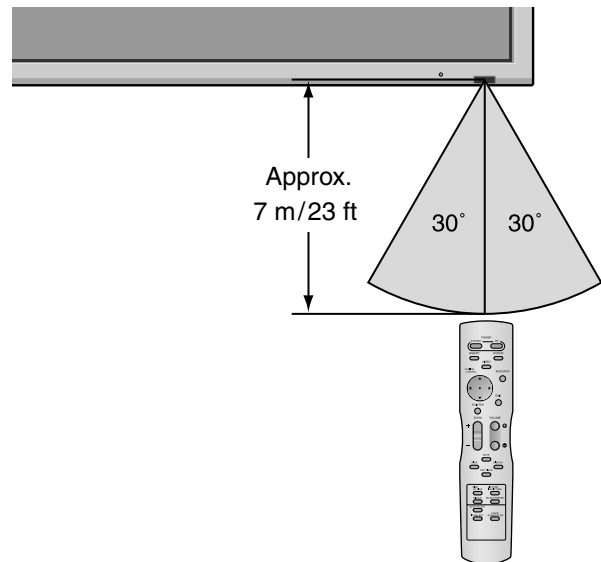
Connect the remote cable\* to the remote control's remote jack and the “REMOTE IN” terminal on the monitor.

When the cable is connected, the mode automatically switches to wired remote control. When the wired remote control mode is used, the remote control can be operated even if no batteries are loaded.



## Operating Range

- \* Use the remote control within a distance of about 7 m/ 23 ft. from the front of the monitor's remote control sensor and at horizontal and vertical angles of up to approximately 30°.
- \* The remote control operation may not function if the monitor's remote control sensor is exposed to direct sunlight or strong artificial light, or if there is an obstacle between the sensor and the remote control.



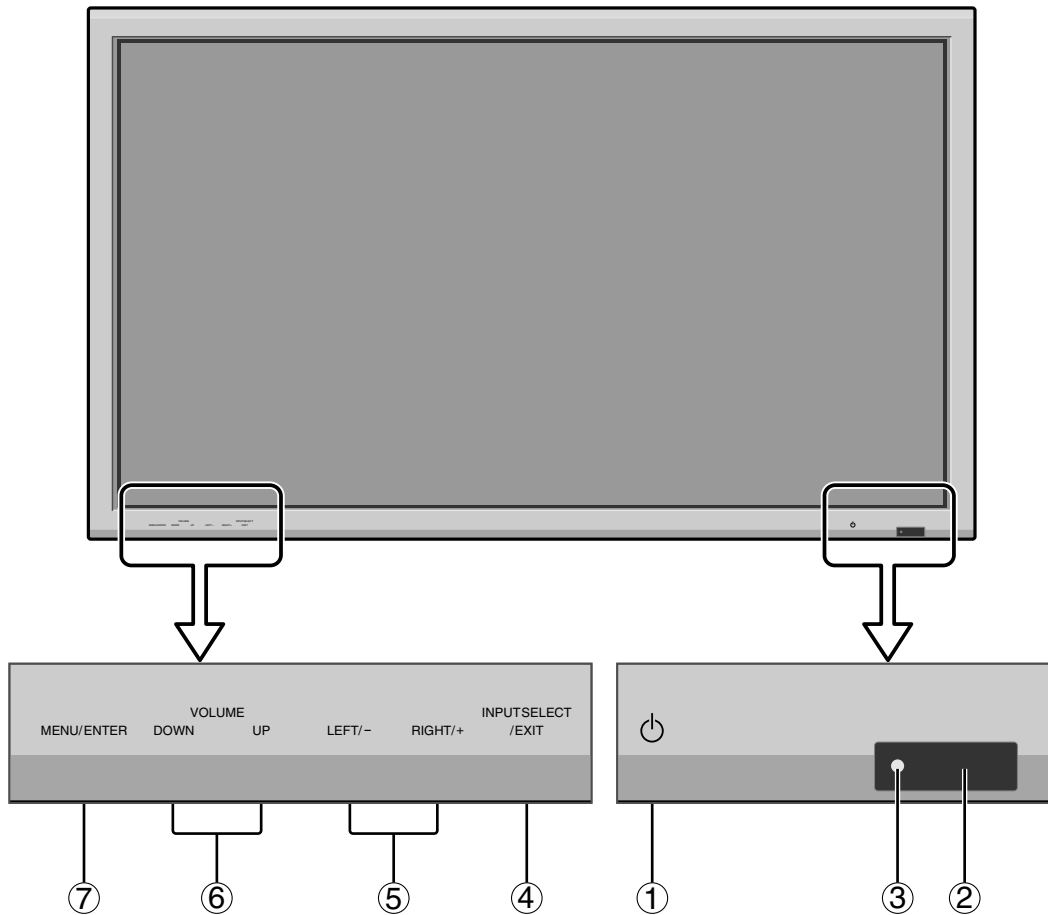
## CAUTION

- Use only the specified batteries.
- Make sure to insert the batteries correctly according to the indications of ⊕ and ⊖ .
- Do not drop or mishandle the remote control.
- Do not get the remote control wet. If the remote control gets wet, wipe it dry immediately.
- Avoid heat and humidity.
- When not using the remote control for a long period, remove the batteries.
- Do not use new and old batteries together, or use different types together.
- Do not take apart the batteries, heat them, or throw them into a fire.
- When using the remote control in the wireless condition, be sure to unplug the remote cable from the REMOTE IN terminal on the monitor.



# Part Names and Function

## Front View

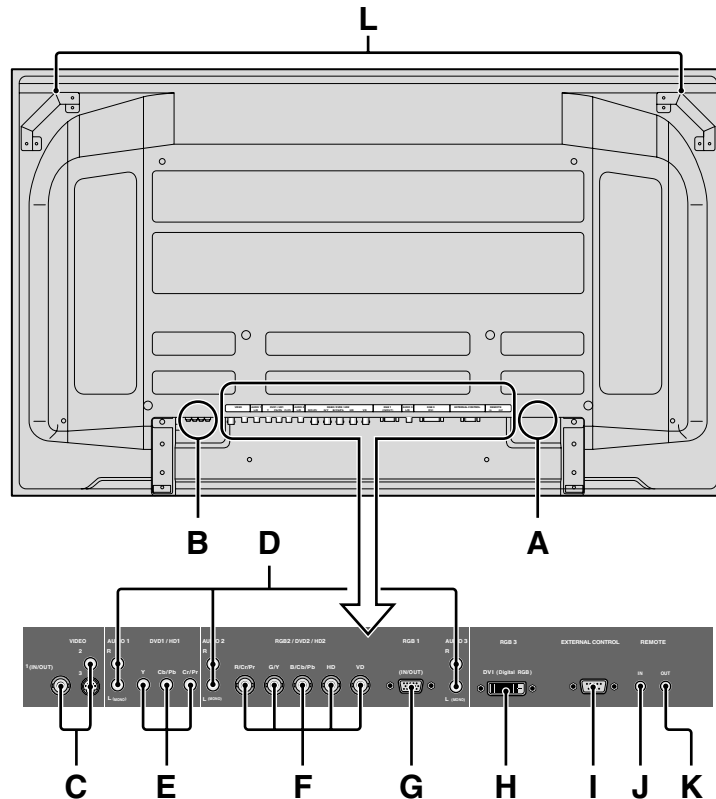


- ① **Power**  
Turns the monitor's power on and off.
- ② **Remote sensor window**  
Receives the signals from the remote control.
- ③ **POWER/STANDBY indicator**  
When the power is on ..... Lights green.  
When the power is in the standby mode ... Lights red.
- ④ **INPUT SELECT / EXIT**  
Switches the input.  
Functions as the EXIT buttons in the On-Screen Menu (OSM) mode.
- ⑤ **LEFT/- and RIGHT/+**  
Functions as the CURSOR (◀/▶) buttons and used to adjust the picture parameters in the On-Screen Menu (OSM) mode.
- ⑥ **VOLUME DOWN and UP**  
Adjusts the volume.  
Functions as the CURSOR (▲/▼) buttons in the On-Screen Menu (OSM) mode.
- ⑦ **MENU/ENTER**  
Sets the On-Screen Menu (OSM) mode and displays the main menu.

### **WARNING**

The Power on/off switch does not completely disconnect power from the display.

## Rear View/ Terminal Board



### A AC IN

Connect the included power cord here.

### B EXT SPEAKER L and R

Connect speakers (optional) here. Maintain the correct polarity. Connect the  $\oplus$  (positive) speaker wire to the  $\oplus$  EXT SPEAKER terminal and the  $\ominus$  (negative) speaker wire to the  $\ominus$  EXT SPEAKER terminal on both LEFT and RIGHT channels.

Please refer to your speaker's owner's manual.

### C VIDEO1, 2, 3 (BNC, RCA, S-Video)

Connect VCR's, DVD's or Video Cameras, etc. here. VIDEO1 can be used for Input or Output.

### D AUDIO1, AUDIO2, AUDIO3

These are audio input terminals.

The input is selectable. Set which video image corresponds to the audio input from the audio menu screen.

### E DVD1 / HD1

Connect DVD's, High Definition or Laser Discs, etc. here.

### F RGB2/ DVD2/ HD2

RGB2: You can connect an analog RGB signal and the synchronization signal.

DVD2/ HD2: You can connect DVDs, High Definition sources, Laser Discs, etc. here.

This input can be set for use with an RGB or component source.

### G RGB1 (mini D-Sub 15pin)

Connect an analog RGB signal from a computer, etc. here. This input can be used for Input or Output.

### H RGB3 (DVI 24pin)

Connect a digital signal (TMDS) from a source with a DVI output.

This input can be set for use with an RGB3.

### I EXTERNAL CONTROL

This terminal is used when operating and controlling the monitor externally with a control system (by RS-232C).

### J REMOTE IN

Connect the remote cable to the remote control's remote jack to obtain wired remote control.

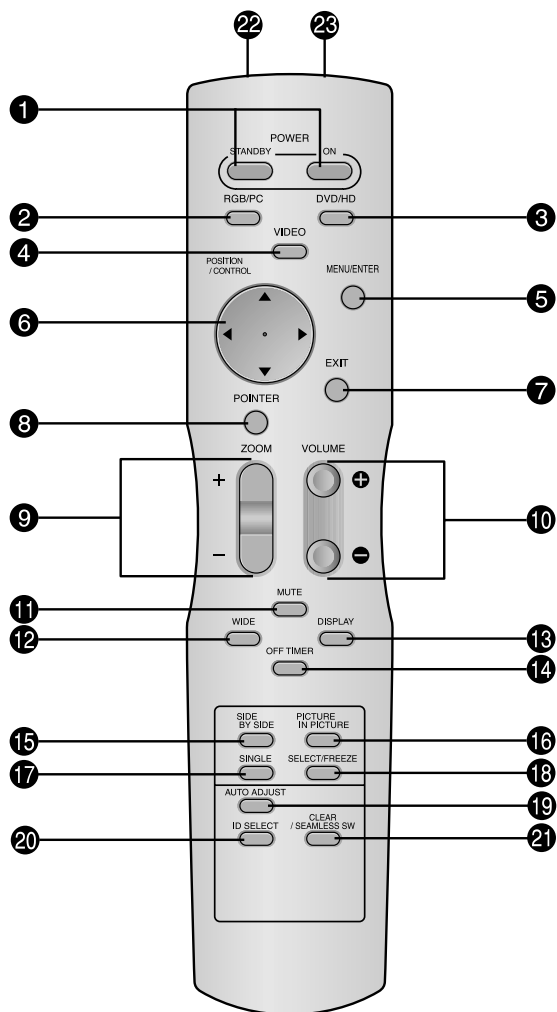
### K REMOTE OUT

Connect the remote cable to the REMOTE IN jack of the other display monitor to obtain wired remote control.

### L Handles

Use when installing or carrying the plasma monitor.

## Remote Control



- 1 POWER ON/STANDBY**  
Switches the power on/standby.  
(This does not operate when the POWER/STANDBY indicator of the plasma is off.)
- 2 RGB/PC**  
Press this button to select RGB/PC as the source.  
RGB/PC can also be selected using the INPUT SELECT button on the monitor.
- 3 DVD / HD**  
Press this button to select DVD/HD as the source.  
DVD/HD can also be selected using the INPUT SELECT button on the monitor.
- 4 VIDEO**  
Press this button to select VIDEO as the source.  
  
VIDEO can also be selected using the INPUT SELECT button on the monitor.
- 5 MENU/ENTER**  
Press this button to access the OSM controls.  
Press this button during the display of the main menu to go to the sub menu.
- 6 CURSOR (▲ / ▼ / ◀ / ▶)**  
Use these buttons to select items or settings and to adjust settings or switch the display patterns.

- 7 EXIT**  
Press this button to exit the OSM controls in the main menu. Press this button during the display of the sub menu to return to the previous menu.
- 8 POINTER**  
Press this button to display the pointer.
- 9 ZOOM (+ /-)**  
Enlarges or reduces the image.
- 10 VOLUME (+ /-)**  
Adjusts the audio volume.
- 11 MUTE**  
Mutes the audio.
- 12 WIDE**  
Press this button to select and switch the screen sizes.  
WIDE button is not active for all signals.
- 13 DISPLAY**  
Displays the source settings on the screen.
- 14 OFF TIMER**  
Activates the off timer for the unit.
- 15 SIDE BY SIDE**  
Press this button to show a couple of pictures in the side-by-side mode.
- 16 PICTURE IN PICTURE**  
Press this button to show a couple of pictures in the picture-in-picture mode.
- 17 SINGLE**  
Cancels the split screen mode.
- 18 SELECT/FREEZE**  
Press this button to select the active picture in a split screen mode.  
When the PIC FREEZE function is operating, this button can be used to display still images on the sub screen.
- 19 AUTO ADJUST**  
Press this button to adjust Fine Picture, Picture ADJ, Position, and Contrast automatically. Press this button in video mode and the Auto Adjust switches to ZOOM mode automatically when a letter box image is displayed.
- 20 ID SELECT**  
Set the ID number in the remote control. The remote control can then be used only for a display with the same ID number. When several displays are used together they can be controlled individually.
- 21 CLEAR/SEAMLESS SW**  
Clears the number set by the ID SELECT button.  
When the SEAMLESS SW function is operating, this button can be used to switch the input source quickly.
- 22 Remote control signal transmitter**  
Transmits the remote control signals.
- 23 Remote Jack**  
Insert the plug of the remote cable (The 1/8 Stereo Mini cable) here when using the supplied remote control in the wired condition.

# Basic Operations

## POWER

### To turn the unit ON and OFF:

1. Plug the power cord into an active AC power outlet.
2. Press the Power button (on the unit).  
The monitor's POWER/STANDBY indicator turns red and the standby mode is set.
3. Press the POWER ON button (on the remote control) to turn on the unit.  
The monitor's POWER/STANDBY indicator will light up (green) when the unit is on.
4. Press the POWER STANDBY button (on the remote control) or the Power button (on the unit) to turn off the unit.  
The monitor's POWER/STANDBY indicator turns red and the standby mode is set (only when turning off the unit with the remote control).

## VOLUME

### To adjust the sound volume:

1. Press and hold the VOLUME ⊕ button (on the remote control or the unit) to increase to the desired level.
2. Press and hold the VOLUME ⊖ button (on the remote control or the unit) to decrease to the desired level.

## MUTE

### To mute the audio:

Press the MUTE button on the remote control to mute the audio; press again to restore.


## DISPLAY

### To check the settings:


1. Press the DISPLAY button to display the display mode.
2. If the button is not pressed for approximately three seconds, the menu turns off.

## DIGITAL ZOOM

Digital zoom specifies the picture position and enlarges the picture.

1. (Be sure ZOOM NAV is off.)  
Press the POINTER button to display the pointer. (  )

### To change the size of the picture:

Press the ZOOM+ button and enlarge the picture.  
The pointer will change to resemble a magnifying glass. (  )

A press of the ZOOM- button will reduce the picture and return it to its original size.

### To change the picture position:

Select the position with the ▲▼◀▶ buttons.

2. Press the POINTER button to delete the pointer.

## AUTO ADJUST

### To adjust the size or quality of the picture automatically:

Press the AUTO ADJUST button.

### Information

#### ■ AUTO ADJUST ON setting

When RGB (still picture) input is selected:  
Fine Picture, Picture ADJ, Position, and Contrast will be adjusted automatically.

When RGB (motion picture), VIDEO, or Y/Pb/Pr (component) input is selected:  
The screen size switches to ZOOM mode automatically when a letter box image is displayed.

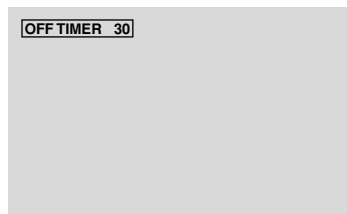
## OFF TIMER

### To set the off timer:

The off timer can be set to turn the power off after 30, 60, 90 or 120 minutes.

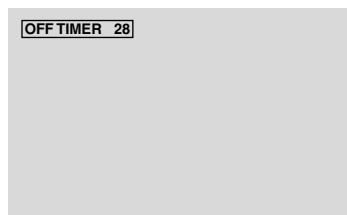
1. Press the OFF TIMER button to start the timer at 30 minutes.
2. Press the OFF TIMER button to the desired time.
3. The timer starts when the menu turns off.

→ 30 → 60 → 90 → 120 → 0



### To check the remaining time:

1. Once the off timer has been set, press the OFF TIMER button once.
2. The remaining time is displayed, then turns off after a few seconds.
3. When five minutes remain the remaining time appears until it reaches zero.



### To cancel the off timer:

1. Press the OFF TIMER button twice in a row.
2. The off timer is canceled.



### Note:

After the power is turned off with the off timer ...  
A slight current is still supplied to the monitor. When you are leaving the room or do not plan to use the system for a long period of time, turn off the power to the monitor.

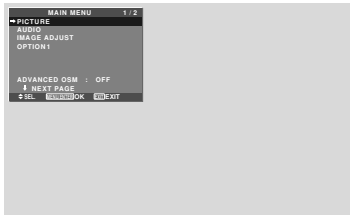
# OSM (On Screen Menu) Controls

## Menu Operations

The OSM window is displayed with respect to the screen as shown on the diagram.

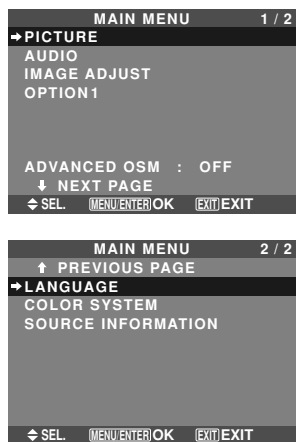
\* Depending on the screen's mode, the OSM may be displayed differently.

In the explanation, the OSM section is shown close up.

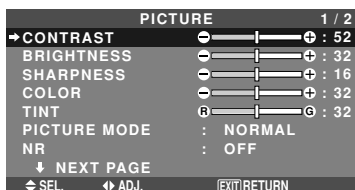


The following describes how to use the menus and the selected items.

1. Press the MENU/ENTER button on the remote control to display the MAIN MENU.



2. Press the cursor buttons ▲ ▼ on the remote control to highlight the menu you wish to enter.
3. Press the MENU/ENTER button on the remote control to select a sub menu or item.



4. Adjust the level or change the setting of the selected item by using the cursor buttons ◀ ▶ on the remote control.
5. The adjustments or settings are then stored in memory. The change is stored until another change is made.
6. Repeat steps 2 – 5 to adjust an additional item, or press the EXIT button on the remote control to return to the main menu.

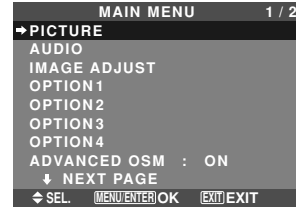
\* When adjusting using the bar at the bottom of the screen, press the ◀ or ▶ button within 5 seconds. If not, the current setting is stored and the previous screen appears.

**Note:** The main menu disappears by pressing the EXIT button.

## Information

### ■ Advanced menu mode

When “ADVANCED OSM” is set to “ON” in the main menu (1/2), full menu items will be shown.



\* The actual screen may be different from the ones in this manual.

## Menu Tree

\* For further details of each menu item, please refer to the CD-ROM.

▒ : Shaded areas indicate the default value.

← → + : Press the ◀ or ▶ button to adjust.

▭ : Menu items in a ruled box are available when the ADVANCED OSM is set to ON.

Main menu	Sub menu	Sub menu 2	Sub menu 3	Sub menu 4	RESET	OSM ANGLE "V"	REFERENCE	
PICTURE	CONTRAST	← → + 0 ← 52 → 72			YES	YES	En-21	
	BRIGHTNESS	← → + 0 ← 32 → 64			YES	YES	En-21	
	SHARPNESS	← → + 0 ← 16 → 32			YES	YES	En-21	
	COLOR	← → + 0 ← 32 → 64			YES	YES	En-21	
	TINT	R ← → G 0 ← 32 → 64			YES	YES	En-21	
	PICTURE MODE	BRIGHT/NORMAL/THEAT.1/THEAT.2/DEFAULT			YES	YES	En-21	
	NR	OFF/NR-1/NR-2/NR-3			YES	YES	En-21	
	COLOR TEMP.	LOW/MID LOW/MID/HIGH			YES	YES	En-21	
	WHITE BALANCE	GAIN RED	← → + 0 ← 40 → 70		YES	NO	En-22	
		GAIN GREEN	← → + 0 ← 40 → 70		YES	NO	En-22	
		GAIN BLUE	← → + 0 ← 40 → 70		YES	NO	En-22	
		BIAS RED	← → + 0 ← 40 → 70		YES	NO	En-22	
		BIAS GREEN	← → + 0 ← 40 → 70		YES	NO	En-22	
		BIAS BLUE	← → + 0 ← 40 → 70		YES	NO	En-22	
		RESET	OFF ← → ON		YES	NO	En-22	
		GAMMA	1 ← → 2 ← → 3 ← → 4		YES	NO	En-22	
		LOW TONE*4	MODE1 ← → MODE2		YES	NO	En-22	
		COLOR TUNE	RED	Y ← → M 0 ← 32 → 64	YES	NO	En-22	
			GREEN	C ← → Y 0 ← 32 → 64	YES	NO	En-22	
			BLUE	M ← → C 0 ← 32 → 64	YES	NO	En-22	
			YELLOW	G ← → R 0 ← 32 → 64	YES	NO	En-22	
			MAGENTA	R ← → B 0 ← 32 → 64	YES	NO	En-22	
			CYAN	B ← → G 0 ← 32 → 64	YES	NO	En-22	
			RESET	OFF ← → ON		YES	NO	En-22

Main menu	Sub menu	Sub menu 2	Sub menu 3	Sub menu 4	RESET	OSM ANGLE "V"	REFERENCE
AUDIO	BASS	← → + 0 ← 13 → 26			YES	YES	En-23
	TREBLE	← → + 0 ← 13 → 26			YES	YES	En-23
	BALANCE	L ← → R -22 ← 0 → +22			YES	YES	En-23
	AUDIO INPUT1	VIDEO 1-3 / DVD/HD 1-2 / RGB 1-3			YES	YES	En-23
	AUDIO INPUT2	VIDEO 1-3 / DVD/HD 1-2 / RGB 1-3			YES	YES	En-23
	AUDIO INPUT3	VIDEO 1-3 / DVD/HD 1-2 / RGB 1-3			YES	YES	En-23

Main menu	Sub menu	Sub menu 2	Sub menu 3	Sub menu 4	RESET	OSM ANGLE "V"	REFERENCE
IMAGE ADJUST	ASPECT MODE	NORMAL/FULL/STADIUM/ZOOM/2.35:1/14:9/UNDERSCAN/TRUE*3			—	YES	En-23
	V-POSITION	← → + -64 ← 0 → +64			YES	YES	En-23
	H-POSITION	← → + -128 ← 0 → +127			YES	YES	En-23
	V-HEIGHT	← → + 0 ← → 64			YES	YES	En-23
	H-WIDTH	← → + 0 ← → 64			YES	YES	En-23
	AUTO PICTURE	OFF ← → ON*2			NO	YES	En-23
	FINE PICTURE*1	← → + *2 0 ← → 64			YES	YES	En-23
	PICTURE ADJ.*1	← → + *2 0 ← → 64			YES	YES	En-23
	UNDERSCAN	OFF ← → ON			YES	NO	En-23

Main menu	Sub menu	Sub menu 2	Sub menu 3	Sub menu 4	RESET	OSM ANGLE "V"	REFERENCE
OPTION1	OSM	DISPLAY OSM	OFF ← → ON		YES	YES	En-24
		OSM ADJ.	1 ← → 6		YES	YES	En-24
		OSM ANGLE	H ← → V		YES	YES	En-24
		OSM ORBITER	OFF ← → ON		YES	YES	En-24
		OSM CONTRAST	LOW ← → NORMAL		YES	YES	En-24
		BNC INPUT	RGB ← → COMP.		YES	YES	En-24
	D-SUB INPUT	RGB		—	YES	En-24	
	RGB SELECT	AUTO		YES	YES	En-24	
	HD SELECT	1080B/1035I/1080A		NO	YES	En-25	
	INPUT SKIP	OFF ← → ON		YES	YES	En-25	
	ALL RESET	OFF ← → ON		—	YES	En-25	

Main menu	Sub menu	Sub menu 2	Sub menu 3	Sub menu 4	RESET	OSM ANGLE "V"	REFERENCE	
OPTION2	PWR. MGT.	OFF↔ON			YES	NO	En-26	
	CINEMA MODE	OFF↔ON			YES	NO	En-26	
	LONG LIFE	PLE		AUTO/LOCK 1/LOCK 2/LOCK 3		YES	NO	En-26
		ORBITER		AUTO 1		YES	NO	En-27
				AUTO 2		YES	NO	En-27
				MANUAL	H-DOT/V-LINE/TIME	YES	NO	En-27
				OFF		YES	NO	En-27
		INVERSE	OFF			YES	NO	En-27
			ON		WORKING TIME/WAITING TIME	YES	NO	En-27
			WHITE			YES	NO	En-27
		SCREEN WIPER	OFF			YES	NO	En-28
			ON		WORKING TIME/WAITING TIME/SPEED	YES	NO	En-28
		SOFT FOCUS	OFF/1/2/3/4			YES	NO	En-28
	GRAY LEVEL	0↔3↔15				YES	NO	En-28
	S1/S2	AUTO↔OFF				YES	NO	En-29
	PICTURE SIZE*3	OFF↔ON				YES	NO	En-29
	DVI SET UP	PLUG/PLAY		PC↔STB/DVD		NO	NO	En-29
		BLACK LEVEL		LOW↔HIGH		NO	NO	En-29
	PROTOCOL SET	OFF↔ON				YES	NO	En-29
	CLOSECAPTION	OFF↔CC1-4↔TEXT1-4				YES	NO	En-30
CAPTION CONT	LOW↔NORMAL				YES	NO	En-30	

Main menu	Sub menu	Sub menu 2	Sub menu 3	Sub menu 4	RESET	OSM ANGLE "V"	REFERENCE	
OPTION3	TIMER	PRESENT TIME	DAYLIGHT SAVING TIME	OFF↔ON	NO	NO	En-30	
			DAY/HOUR/MINUTES		NO	NO	En-30	
		TIMER	OFF		YES	NO	En-31	
			PROGRAM	DAY/ON/OFF(HOUR, MINUTES)/INPUT/FUNC.	YES	NO	En-31	
		REPEAT	SINGLE/MULTI/VIDEO-W		YES	NO	En-31	
	PWR. ON MODE	INPUT	LAST /MULTI/ VIDEO 1-3 / DVD/HD 1-2 / RGB 1-3		YES	NO	En-32	
		VOLUME	LAST↔0↔42		YES	NO	En-32	
	CONTROL LOCK	OFF↔ON			YES	NO	En-32	
	IR REMOTE	OFF↔ON			YES	NO	En-33	
	LOOP OUT	OFF↔ON			YES	NO	En-33	
	REMOTE ID	ALL↔1↔4			NO	NO	En-33	
	ID NUMBER	ALL↔1↔256			YES	NO	En-33	
	VIDEO WALL	DIVIDER	OFF/1/2×2/3×3/4×4/5×5/5×1/1×5			YES	NO	En-34
		POSITION	No.1↔No.4/No.7↔No.15/No.16↔No.31/No.32↔No.56			—	NO	En-34
		DISP. MODE	SPLIT↔BLANK			YES	NO	En-34
		AUTO ID	OFF↔ON			YES	NO	En-34
		IMAGE ADJUST	ASPECT MODE	NORMAL/FULL/STADIUM/ZOOM/2.35:1/14:9/UNDERSCAN/TRUE*3		—	NO	En-35
			V-POSITION/H-POSITION/V-HEIGHT/H-WIDTH/AUTO PICTURE/ FINE PICTURE*/PICTURE ADJ.*1/UNDERSCAN					
		P. ON DELAY	OFF/ON/MODE1/MODE2			YES	NO	En-35
		PLE LINK	OFF↔ON			YES	NO	En-35

Main menu	Sub menu	Sub menu 2	Sub menu 3	Sub menu 4	RESET	OSM ANGLE "V"	REFERENCE	
OPTION4	SUB. PICTURE	SUB. P DETECT	OFF↔AUTO		YES	NO	En-36	
		SUB. P RATE	20%↔100%		YES	NO	En-36	
		DISPLAY	FADE↔NORMAL		YES	NO	En-36	
	ZOOM NAV	OFF↔S BY S↔BTM LFT↔BTM RGT↔TOP RGT↔TOP LFT			YES	NO	En-36	
	PIC FREEZE	OFF↔S BY S1↔S BY S2↔BTM LFT↔BTM RGT↔TOP RGT↔TOP LFT			YES	NO	En-36	
	SEAMLESS SW	OFF				YES	NO	En-37
		ON	SELECT1/SELECT2			YES	NO	En-37
	TEXT INSERT	OFF/BOTTOM-1/BOTTOM-2/BOTTOM-3/MID. LOW/MID. HIGH/TOP-3/TOP-2/TOP-1/LEFT/RIGHT				YES	NO	En-37
		INPUT/SUB. P DETECT/PICTURE RATE/DISPLAY				YES	NO	En-37

Main menu	Sub menu	Sub menu 2	Sub menu 3	Sub menu 4	RESET	OSM ANGLE "V"	REFERENCE
ADVANCED OSM	OFF↔ON				YES	NO	En-38
LANGUAGE	ENGLISH/DEUTSCH/FRANÇAIS/ESPAÑOL/ITALIANO/SVENSKA/РУССКИЙ/PORTUGUÊS				NO	NO	En-38
COLOR SYSTEM	AUTO/3.58 NTSC/4.43 NTSC/PAL/PAL 60/PAL-N/PAL-M/SECAM				NO	YES	En-38
SOURCE INFORMATION	—				—	YES	En-38

\*1 Only when AUTO PICTURE is OFF.

\*2 RGB only.

\*3 "PICTURE SIZE" and "TRUE" are only for 50 and 60 inch types.

\*4 "LOW TONE" is only for 50 inch type.

### Information

#### Restoring the factory default settings

Select "ALL RESET" under the OPTION1 menu. Note that this also restores other settings to the factory defaults.

# Troubleshooting

If the picture quality is poor or there is some other problem, check the adjustments, operations, etc., before requesting service.

Symptom	Checks	Remedy
The unit emits a crackling sound.	<ul style="list-style-type: none"> <li>• Are the image and sound normal?</li> </ul>	<ul style="list-style-type: none"> <li>• If there are no abnormalities in the image and sound, the noise is caused by the cabinet reacting to changes in temperature. This will not affect performance.</li> </ul>
Picture is disturbed. Sound is noisy. Remote control operates erroneously.	<ul style="list-style-type: none"> <li>• Is a connected component set directly in front or at the side of the display?</li> </ul>	<ul style="list-style-type: none"> <li>• Leave some space between the display and the connected components.</li> </ul>
The remote control does not work.	<ul style="list-style-type: none"> <li>• Are the remote control's batteries worn out?</li> <li>• Is IR REMOTE set to ON?</li> <li>• Has an ID number been set for the main unit?</li> </ul>	<ul style="list-style-type: none"> <li>• Replace both batteries with new ones.</li> <li>• Set IR REMOTE OFF on OPTION3 menu.</li> <li>• Set an ID number with the ID SELECT button, or set the ID number to ALL.</li> </ul>
Monitor's power does not turn on when the remote control's power button is pressed.	<ul style="list-style-type: none"> <li>• Is the monitor's power cord plugged into a power outlet?</li> <li>• Are all the monitor's indicators off?</li> <li>• Are the remote control's batteries worn out?</li> <li>• Is IR REMOTE set to OFF?</li> <li>• Has an ID number been set for the main unit?</li> </ul>	<ul style="list-style-type: none"> <li>• Plug the monitor's power cord into a power outlet.</li> <li>• Press the power button on the monitor to turn on the power.</li> <li>• Replace both batteries with new ones.</li> <li>• Set IR REMOTE ON.</li> <li>• Set an ID number with the ID SELECT button, or set the ID number to ALL.</li> </ul>
Monitor does not operate when the remote control's buttons are pressed.	<ul style="list-style-type: none"> <li>• Is the remote control pointed at the monitor, or is there an obstacle between the remote control and the monitor?</li> <li>• Is direct sunlight or strong artificial light shining on the monitor's remote control sensor?</li> <li>• Are the remote control's batteries worn out?</li> <li>• The remote cable is plugged into the REMOTE IN terminal (Wired).</li> </ul>	<ul style="list-style-type: none"> <li>• Point the remote control at the monitor's remote control sensor when pressing buttons, or remove the obstacle.</li> <li>• Eliminate the light by closing curtains, pointing the light in a different direction, etc.</li> <li>• Replace both batteries with new ones.</li> <li>• Unplug the remote cable from the monitor.</li> </ul>
The front panel buttons of the main unit do not function.	<ul style="list-style-type: none"> <li>• The front panel buttons do not function during Control Lock.</li> </ul>	<ul style="list-style-type: none"> <li>• Set the Control Lock to OFF.</li> </ul>
No sound or picture is produced.	<ul style="list-style-type: none"> <li>• Is the monitor's power cord plugged into a power outlet?</li> </ul>	<ul style="list-style-type: none"> <li>• Plug the monitor's power cord into a power outlet.</li> </ul>
Picture appears but no sound is produced.	<ul style="list-style-type: none"> <li>• Is the volume set at the minimum?</li> <li>• Is the mute mode set?</li> <li>• Are the speakers properly connected?</li> <li>• Is AUDIO INPUT set correctly?</li> </ul>	<ul style="list-style-type: none"> <li>• Increase the volume.</li> <li>• Press the remote control's MUTE button.</li> <li>• Connect the speakers properly.</li> <li>• Set AUDIO INPUT on the AUDIO menu correctly.</li> </ul>
Poor picture with VIDEO signal input.	<ul style="list-style-type: none"> <li>• Improper control setting.</li> <li>• Local interference.</li> <li>• Cable interconnections.</li> <li>• Input impedance is not correct level.</li> </ul>	<ul style="list-style-type: none"> <li>• Adjust picture control as needed.</li> <li>• Try another location for the monitor.</li> <li>• Be sure all connections are secure.</li> </ul>
Poor picture with RGB signal input.	<ul style="list-style-type: none"> <li>• Improper control setting.</li> <li>• Incorrect 15 PIN connector pin connections.</li> </ul>	<ul style="list-style-type: none"> <li>• Adjust picture controls as needed.</li> <li>• Check pin assignments and connections.</li> </ul>
Tint is poor or colors are weak.	<ul style="list-style-type: none"> <li>• Are the tint and colors properly adjusted?</li> </ul>	<ul style="list-style-type: none"> <li>• Adjust the tint and color (under PICTURE).</li> </ul>
Nothing appears on screen.	<ul style="list-style-type: none"> <li>• Is the computer's power turned on?</li> <li>• Is a source connected?</li> <li>• Is the power management function in the standby or off mode?</li> <li>• Is LOOP OUT set to ON?</li> </ul>	<ul style="list-style-type: none"> <li>• Turn on the computer's power.</li> <li>• Connect source to the monitor.</li> <li>• Operate the computer (move the mouse, etc.).</li> <li>• Set LOOP OUT OFF.</li> </ul>
Part of picture is cut off or picture is not centered.	<ul style="list-style-type: none"> <li>• Is the position adjustment appropriate?</li> </ul>	<ul style="list-style-type: none"> <li>• Adjust the IMAGE ADJUST properly.</li> </ul>
Image is too large or too small.	<ul style="list-style-type: none"> <li>• Is the screen size adjustment appropriate?</li> </ul>	<ul style="list-style-type: none"> <li>• Press the WIDE button on the remote control and adjust properly.</li> </ul>
Picture is unstable.	<ul style="list-style-type: none"> <li>• Is the computer's resolution setting appropriate?</li> </ul>	<ul style="list-style-type: none"> <li>• Set to the proper resolution.</li> </ul>
POWER/STANDBY indicator is lighted in red.	<ul style="list-style-type: none"> <li>• Horizontal and / or vertical sync signal is not present when the Intelligent Power Manager control is on.</li> </ul>	<ul style="list-style-type: none"> <li>• Check the input signal.</li> </ul>
POWER/STANDBY indicator is blinking in red.	<ul style="list-style-type: none"> <li>• The temperature inside the main unit has become too high and has activated the protector.</li> </ul>	<ul style="list-style-type: none"> <li>• Promptly switch off the power of the main unit and wait until the internal temperature drops. See*1.</li> </ul>
POWER/STANDBY indicator is blinking in green and red, or green.	<p style="text-align: center;">—————</p>	<ul style="list-style-type: none"> <li>• Promptly switch off the power of the main unit. See *2.</li> </ul>

## \*1 Overheat protector

If the monitor becomes too hot, the overheat protector will be activated and the monitor will be turned off. If this happens, turn off the power to the monitor and unplug the power cord. If the room where the monitor is installed is particularly hot, move the monitor to a cooler location and wait for the monitor to cool for 60 minutes. If the problem persists, contact your dealer.

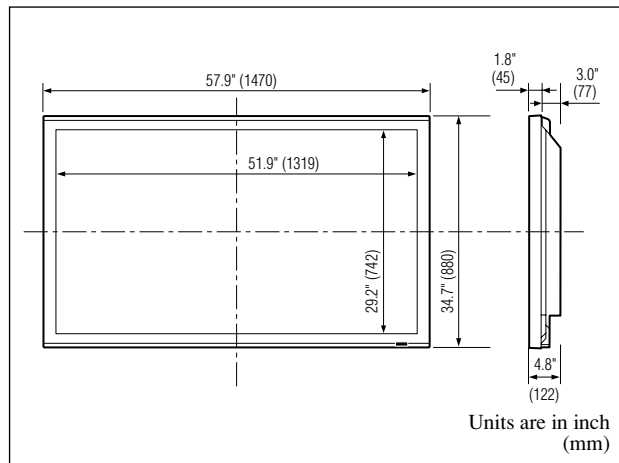
## \*2 In the following case, power off the monitor immediately and contact your dealer or authorized Service Center.

The monitor turns off 5 seconds after powering on and then the POWER/STANDBY indicator blinks. It indicates that the power supply circuit, plasma display panel, temperature sensor, or one or more fans have been damaged.



# Specifications

<b>Screen Size</b>	51.9 inches(H) × 29.2 inches(V) 1319 mm(H) × 742 mm(V) diagonal 60 inches
<b>Aspect Ratio</b>	16 : 9
<b>Resolution</b>	1365 pixels(H) × 768 pixels(V)
<b>Pixel Pitch</b>	0.038 inches(H) × 0.038 inches(V) 0.97 mm(H) × 0.97 mm(V)
<b>Signals</b>	
Synchronization Range	Horizontal : 15.5 kHz to 110.0 kHz (automatic : step scan) Vertical : 50.0 Hz to 120.0 Hz (automatic : step scan)
Input Signals	RGB, NTSC (3.58/4.43), PAL (B,G,M,N), PAL60, SECAM, HD* <sup>1</sup> , DVD* <sup>1</sup> , DTV* <sup>1</sup>
<b>Input Terminals</b>	(VIDEO1 and RGB1 can also be used as OUTPUT terminals)
<b>RGB</b>	
Visual 1 (Analog)	mini D-sub 15-pin × 1
Visual 2 (Analog)	BNC (R, G, B, HD, VD) × 1* <sup>2</sup>
Visual 3 (Digital)	DVI-D 24-pin × 1* <sup>3</sup>
<b>Video</b>	
Visual 1	BNC × 1
Visual 2	RCA-pin × 1
Visual 3	S-Video: DIN 4-pin × 1
<b>DVD/HD</b>	
Visual 1	RCA-pin (Y, Cb/Pb, Cr/Pr) × 1* <sup>1</sup>
Visual 2	BNC (Y, Cb/Pb, Cr/Pr) × 1* <sup>1,*2</sup>
Visual 3	DVI-D 24-pin × 1* <sup>3</sup>
<b>Audio</b>	Stereo RCA × 3 (Selectable)
<b>External Control</b>	D-sub 9-pin × 1 (RS-232C)
<b>Remote In</b>	Mini jack × 1
<b>Remote Out</b>	Mini jack × 1
<b>Sound output</b>	9 W+9 W at 6 ohm
<b>Power Supply</b>	AC100 V to 240 V 50 Hz/60 Hz
<b>Current Rating</b>	7.0 A (maximum)
<b>Power Consumption</b>	440 W (typical)
<b>Dimensions</b>	57.9 inches(W) × 34.7 inches(H) × 4.8 inches(D) 1470 mm(W) × 880 mm(H) × 122 mm(D)
<b>Weight</b>	135.6 lbs / 61.5 kg (without stand)
<b>Environmental Considerations</b>	
Operating Temperature	0 °C to 40 °C / 32 °F to 104 °F
Humidity	20 % to 80 % (no condensation)
Storage Temperature	-10 °C to 50 °C / 14 °F to 122 °F
Humidity	10 % to 90 % (no condensation)
<b>Other Features</b>	Motion compensated 3D Scan Converter (NTSC, PAL, 480I, 576I, 525I, 625I, 1035I, 1080I), 2-3 pull down Converter (NTSC, 480I, 525I, 1035I, 1080I (60 Hz)), 2-2 pull down Converter (PAL, 576I, 625I, NTSC, 480I, 525I), Digital Zooming (100 % to 900 % Selectable), Video Wall 4-25 multi screens, Self Diagnosis via RS232C, Long Life Mode (PEAK BRIGHT, ORBITER, INVERSE, WHITE, SCREEN WIPER, SOFT FOCUS, etc.), Control Lock (Except power SW), Input Skip, Color Tune, Programmable Timer, Loop Throughout Interface, Plug and play (DDC1, DDC2b, RGB3: DDC2b only), Enhanced Split Screen, Protocol Set, etc.
<b>Accessories</b>	Power cord (× 1), Remote control (× 1), AAA batteries (× 2), Manuals (Start up Guide and CD-ROM), Ferrite cores for power cord (× 2), bands for power cord (× 2), Cable claspers (× 3), beads bands (× 3), Ferrite core for remote cable (× 2).
<b>Regulations</b>	UL 60950-1, CAN/CSA-C22.2 No.60950-1-03, FCC class B, ICES-003 class B



The features and specifications may be subject to change without notice.

<b>*<sup>1</sup>HD/DVD/DTV input signals supported on this system.</b>		
480P (60 Hz)	480I (60 Hz)	525P (60 Hz)
525I (60 Hz)	576P (50 Hz)	576I (50 Hz)
625P (50 Hz)	625I (50 Hz)	720P (60 Hz)
720P (50 Hz)	1035I (60 Hz)	1080I (50 Hz)
1080I (60 Hz)	1080P (50 Hz)	1080P (60 Hz)
<b>*<sup>2</sup>The 5-BNC connectors are used as RGB2 and DVD/HD2 input. Select one of them under "BNC INPUT".</b>		
<b>*<sup>3</sup>Compatible with HDCP.</b>		
<b>Supported Signals</b>		
• 640 × 480P @ 59.94/60 Hz	• 1440 (720) × 480I @ 59.94/60 Hz	
• 720 × 480P @ 59.94/60 Hz	• 1440 (720) × 576I @ 50 Hz	
• 720 × 576P @ 50 Hz	• 1920 × 1080I @ 59.94/60 Hz	
• 1280 × 720P @ 59.94/60 Hz	• 1920 × 1080I @ 50 Hz	
• 1280 × 720P @ 50 Hz		
• 1920 × 1080P @ 59.94/60 Hz		
• 1920 × 1080P @ 50 Hz		
<b>Note:</b> In some cases a signal on the plasma monitor may not be displayed properly. The problem may be an inconsistency with standards from the source equipment (DVD, Set-top box, etc.). If you do experience such a problem please contact NEC Corporation of America and also the manufacturer of the source equipment.		

# Limited Warranty Plasma Monitors

NEC Corporation of America warrants this product to be free from defects in material and workmanship under the following terms and, subject to the conditions set forth below, agrees to repair or replace (at NEC Corporation of America's sole option) any part of the enclosed unit which proves defective. Replacement parts or products may be new or refurbished and will meet specifications of the original parts or products.

## HOW LONG IS THE WARRANTY?

Parts and labor are warranted for (1) one year from the date of the first customer purchase.

## WHO IS PROTECTED?

This warranty may be enforced only by the first purchaser.

## WHAT IS COVERED AND WHAT IS NOT COVERED

Except as specified below, this warranty covers all defects in material or workmanship in this product. The following are not covered by the warranty:

1. Any product which is not distributed in the U.S.A. or Canada by NEC Corporation of America or which is not purchased in the U.S.A. or Canada from an authorized NEC Corporation of America dealer.
2. Any product of which the serial number has been defaced, modified or removed.
3. Damage, deterioration or malfunction resulting from:
  - a. Accident, misuse, abuse, neglect, fire, water, lightning or other acts of nature, unauthorized product modification, or failure to follow instructions supplied with the product.
  - b. Repair or attempted repair by anyone not authorized by NEC Corporation of America.
  - c. Any shipment of the product (claims must be presented to the carrier).
  - d. Removal or installation of the product.
  - e. Any other cause which does not relate to a product defect.
  - f. Burns or residual images upon the phosphor of the panel.
4. Cartons, carrying cases, batteries, external cabinets, magnetic tapes, or any accessories used in connection with the product.
5. Service outside of the U.S.A. and Canada.

## WHAT WE WILL PAY FOR AND WHAT WE WILL NOT PAY FOR

We will pay labor and material expenses for covered items, but we will not pay for the following:

1. Removal or installation charges.
2. Costs of initial technical adjustments (set-up), including adjustment of user controls. These costs are the responsibility of the NEC Corporation of America dealer from whom the product was purchased.
3. Shipping charges.

## HOW YOU CAN GET WARRANTY SERVICE

1. To obtain service on your product, consult the dealer from whom you purchased the product.
2. Whenever warranty service is required, the original dated invoice (or a copy) must be presented as proof of warranty coverage. Please also include in any mailing your name, address and a description of the problem(s).
3. For the name of the nearest NEC Corporation of America authorized service center, call NEC Corporation of America at 800-836-0655.

## LIMITATIONS OF LIABILITY

Except for the obligations specifically set forth in this warranty statement, we will not be liable for any direct, indirect, special, incidental, consequential, or other types of damages, whether based on contract, tort, or any other legal theory, whether or not we have been advised of the possibility of such damages. This warranty is in lieu of all other warranties expressed or implied, including, but not limited to, the implied warranties of merchantability or fitness for a particular purpose.

## EXCLUSION OF DAMAGES

NEC Corporation of America's liability for any defective product is limited to the repair or replacement of the product at our option. NEC Corporation of America shall not be liable for:

1. Damage to other property caused by any defects in this product, damages based upon inconvenience, loss of use of the product, loss of time, commercial loss; or
2. Any other damages whether incidental, consequential or otherwise. Some states do not allow limitation on how long an implied warranty lasts and/or do not allow the exclusion or limitation of incidental or consequential damages, so the above limitations and exclusions may not apply to you.

## HOW STATE LAW RELATES TO THE WARRANTY

This warranty gives you specific legal rights, and you may also have other rights which vary from state to state.

FOR MORE INFORMATION,  
TELEPHONE 800-836-0655  
NEC CORPORATION OF AMERICA  
1250 N. Arlington Heights Road, Suite 400  
Itasca, Illinois 60143-1248

**Note:** All products returned to NEC Corporation of America for service **MUST** have prior approval. To get approval, call NEC Corporation of America at 800-836-0655.

# Guide rapide

## (Modèle à découpe d'image avancée)

Pour le fonctionnement de votre moniteur plasma, référez-vous au CD-ROM.

## Table des matières

<b>Recommandations importantes .....</b>	<b>Fr-2</b>
<b>Installation .....</b>	<b>Fr-4</b>
Ventilation requise pour le montage de l'ensemble .....	Fr-4
Créer un mur d'images .....	Fr-5
Fixation des câbles .....	Fr-5
Faire attention lorsque le moniteur plasma est installé verticalement .....	Fr-6
Comment utiliser la télécommande .....	Fr-6
Mise en place et remplacement des piles .....	Fr-6
Utilisation du mode télécommande à câble .....	Fr-6
Distance de fonctionnement .....	Fr-6
<b>Noms des composants et leur fonction .....</b>	<b>Fr-7</b>
Vue de face .....	Fr-7
Vue arrière / Raccordements .....	Fr-8
Télécommande .....	Fr-9
<b>Fonctions de base .....</b>	<b>Fr-10</b>
POWER (MARCHE/ARRÊT) .....	Fr-10
Pour mettre en marche et arrêter l'appareil : .....	Fr-10
VOLUME .....	Fr-10
Pour régler le volume sonore : .....	Fr-10
MUTE (SOURDINE) .....	Fr-10
Pour mettre le son en sourdine : .....	Fr-10
DISPLAY (AFFICHAGE) .....	Fr-10
Pour vérifier les réglages : .....	Fr-10
ZOOM NUMÉRIQUE .....	Fr-10
AUTO ADJUST (REGLAGE AUTO) .....	Fr-10
Pour régler automatiquement le format et la qualité de l'image: .....	Fr-10
OFF TIMER (ARRÊT TEMPORISÉ) .....	Fr-10
Réglage de la temporisation de l'alimentation : .....	Fr-10
Vérification du temps restant avant l'arrêt automatique: .....	Fr-10
Annulation de la temporisation de l'alimentation: .....	Fr-10
<b>Commandes OSM (MÉNUS ÉCRAN) .....</b>	<b>Fr-11</b>
Opérations de menu .....	Fr-11
Arborescence de menus .....	Fr-12
<b>Dépannage .....</b>	<b>Fr-14</b>
<b>Caractéristiques .....</b>	<b>Fr-15</b>
<b>Garantie limitée Moniteurs Plasma .....</b>	<b>Fr-16</b>

## Manuel d'utilisation sur CD-ROM

● Le manuel d'utilisation complet est fourni sur le CD-ROM en format PDF (Portable Document Format) et fournit des informations détaillées concernant le produit et son utilisation pour votre moniteur plasma NEC.

Vous devez avoir Acrobat Reader™ ou Adobe Reader™ pour pouvoir visionner et/ou imprimer les fichiers PDF.

***REMARQUE:** Adobe Acrobat Reader ou Adobe Reader peuvent être téléchargés sur le site d'Adobe.*

*Rendez-vous sur <http://www.adobe.com> pour obtenir la version correspondant à votre système d'exploitation.*

● Visionner le manuel d'utilisation (PDF)

[Windows]

1. Insérez le CD-ROM fourni dans le lecteur de CD-ROM de votre ordinateur.

2. Un menu doit s'afficher automatiquement.

Si ce n'est pas le cas :

1) Sur le bureau Windows, double-cliquez sur l'icône [Mon ordinateur].

2) Double-cliquez sur la lettre du lecteur de CD-ROM [NECPLASMA-UM].

3) Double-cliquez sur "start\_menu.pdf".

3. Cliquez sur le nom de votre produit.

Le guide de l'utilisateur s'affichera à l'écran.

[Macintosh]

1. Insérez le CD-ROM fourni dans le lecteur de CD-ROM de votre Macintosh.

2. Double-cliquez sur l'icône du CD-ROM [NECPLASMA-UM].

3. Double-cliquez sur "start\_menu.pdf".

Le menu de départ s'affichera.

4. Cliquez sur le nom de votre produit.

Le guide de l'utilisateur s'affichera à l'écran.

● Copier le manuel d'utilisation (PDF) sur votre ordinateur

Le manuel d'utilisation se trouvant sur le CD-ROM fourni peut être copié sur le disque dur de votre ordinateur.

### Contenu du colis

- Moniteur à plasma (× 1)
- Cordon d'alimentation (× 1, 3 m/9,8 pieds)
- Télécommande (× 1)
- Piles AAA (× 2, Piles au manganèse pour la télécommande)
- Manuels (Guide rapide et CD-ROM)
- Âmes en ferrite pour cordon d'alimentation (× 2), bandes pour cordon d'alimentation (× 2)
- Âme en ferrite pour câble télécommande (× 2)
- Serre-câbles (× 3), Colliers à perles (× 3)

### Options

- Unité de montage mural
- Unité de montage au plafond
- Unité de montage incliné
- Support sur table
- Haut-parleurs amovibles

FRANÇAIS

# Recommandations importantes

## Précaution

Veillez lire avec attention ce manuel avant d'utiliser le moniteur à plasma et le conserver accessible pour s'y référer ultérieurement.

**ATTENTION**  
**RISQUE D'ELECTROCUTION  
NE PAS OUVRIR**

ATTENTION: POUR EVITER TOUT RISQUE D'ELECTROCUTION, NE PAS OUVRIR LE BOITIER. A L'INTERIEUR, AUCUNE PIECE NE NECESSITE L'INTERVENTION DE L'UTILISATEUR. EN CAS DE PROBLEME, S'ADRESSER A UN REPARATEUR SPECIALISTE.

Ce symbole est une mise en garde contre les risques d'électrocution que présentent certaines parties dépourvues d'isolation à l'intérieur de l'appareil. Il est donc dangereux d'établir le moindre contact avec ces parties.

Ce symbole avertit l'utilisateur que d'importantes informations sont fournies sur le fonctionnement ou l'entretien de cet appareil. De ce fait, il faut lire attentivement ces instructions pour éviter tout problème.

## AVERTISSEMENT

AFIN D'EVITER TOUT RISQUE D'INCENDIE OU D'ELECTROCUTION, NE PAS EXPOSER CET APPAREIL A LA PLUIE OU A L'HUMIDITE. NE PAS BRANCHER LA PRISE D'ALIMENTATION POLARISEE DANS UNE PRISE MURALE AVEC UNE RALLONGE OU UN ADAPTATEUR MULTIPRISE SI LES FICHES NE PEUVENT ETRE INSEREES COMPLETEMENT. EVITER D'OUVRIR LE BOITIER CAR CELUI-CI PROTEGE DES COMPOSANTS FONCTIONNANT A HAUTE TENSION. EN CAS DE PROBLEME, S'ADRESSER A UN REPARATEUR SPECIALISTE.

## Avertissements et précautions de sécurité

Ce moniteur à plasma a été conçu et fabriqué pour une utilisation fiable et durable. Il ne nécessite aucun entretien en dehors du nettoyage. Voir la section "Méthode de nettoyage du moniteur à plasma" plus loin.

Le panneau à affichage plasma est constitué de fines particules d'images (cellules) dont plus de 99,99 % sont actives. Certaines d'entre elles ne produisent pas de lumière ou restent allumées.

Pour des raisons de sécurité et pour éviter d'endommager l'appareil, lire attentivement les instructions suivantes.

Pour éviter les risques d'électrocution et d'incendie:

1. Laisser suffisamment d'espace autour de l'appareil pour la ventilation et éviter toute augmentation excessive de la température interne. Ne pas couvrir les fentes d'aération ou installer l'appareil dans un endroit trop exigu. Si vous installez l'appareil dans un espace clos, assurez-vous qu'il y ait suffisamment d'espace au dessus pour permettre l'air chaud de s'élever et de s'évacuer. Si la température du moniteur devient excessive, la protection contre les surchauffes entrera en action et coupera l'alimentation. Dans ce cas, éteindre l'appareil et débrancher le câble d'alimentation. Si la température de la pièce dans laquelle se trouve le moniteur est particulièrement élevée, déplacer celui-ci dans un endroit plus frais et attendre environ 60 minutes qu'il refroidisse. Si le problème persiste, prendre contact avec votre revendeur.
2. Ne pas raccorder la prise d'alimentation polarisée de ce périphérique à une rallonge ou une prise murale si les fiches ne peuvent pas être complètement insérées.
3. Ne pas exposer cet appareil à la pluie ou à l'humidité.
4. Eviter d'endommager le câble d'alimentation et ne pas le modifier.
5. Débrancher le câble d'alimentation électrique pendant les orages ou les longues périodes d'inactivité.
6. Ne pas ouvrir le boîtier protégeant les parties dangereuses fonctionnant hauts voltages. Si l'appareil est endommagé de cette manière, la garantie sera annulée. De plus, les risques d'électrocution grave sont grands.
7. Ne pas essayer d'intervenir ou de réparer l'appareil. Le fabricant décline toute responsabilité en cas de blessure corporelle ou de dégâts matériels résultant d'une opération d'entretien quelconque effectuée par des personnes non qualifiées ou résultant de l'ouverture du couvercle arrière. S'adresser au service après-vente autorisé.
8. Cet équipement doit être connecté à une prise secteur (MAIN) équipée d'une mise à la terre.
9. La prise secteur doit se trouver près de l'équipement et doit être facile d'accès.

Pour éviter tout dommage et assurer une utilisation durable:

1. Utiliser seulement une alimentation en courant de 100 V à 240 V 50 Hz/60 Hz. Toute utilisation prolongée avec un courant supérieur à 100 V à 240 V risque de diminuer la durée de vie de l'appareil et même de provoquer un incendie.
2. Manipuler l'appareil avec précautions lors de son installation, ne pas le laisser tomber.
3. L'installer loin de toute source de chaleur ou de poussière. Ne pas l'exposer au soleil.
4. Eviter la pénétration de liquides ou petits objets métalliques l'intérieur de l'appareil. En cas d'incident de ce genre, débrancher le câble d'alimentation électrique et confier le moniteur à un service après-vente agréé.
5. Ne pas cogner ou rayer la surface de l'écran, des déformations de l'image en résulteraient.
6. Pour un montage et une installation correcte, il est fortement recommandé de faire appel à un revendeur agréé et qualifié.
7. Comme c'est le cas pour tout affichage à base de phosphore (comme un moniteur CRT, par exemple), la puissance de lumière baisse graduellement au cours de la vie du panneau d'affichage à plasma.
8. Pour éviter tout risque de sulfuration, il est fortement conseillé de ne pas installer l'appareil dans un vestiaire, un bain public ou un bain de source thermique.
9. Ne pas utiliser dans un véhicule en marche car l'unité pourrait tomber ou glisser et provoquer des blessures.
10. Pour éviter l'inflammation ou les chocs électriques, ne pas placer l'unité sur la tranche, à l'envers ou avec l'écran vers le bas ou vers le haut.
11. Pour éviter les risques d'incendie, ne placez aucune flamme nue (telle qu'une bougie allumée) sur l'appareil.

Méthode de nettoyage du moniteur à plasma:

1. Nettoyer le panneau avant et le cadre en procédant à l'aide d'un chiffon doux et sec. Ne jamais utiliser de solvants du type alcool ou diluant pour le nettoyage de ces surfaces.
2. Nettoyer les prises d'aération du plasma en procédant à l'aide d'une brosse à poils doux fixée à un aspirateur.
3. Pour garantir la bonne ventilation du moniteur, nettoyer les prises d'air tous les mois. Un nettoyage plus fréquent peut s'avérer nécessaire selon les conditions environnementales dans lesquelles le moniteur à plasma est utilisé.

Pour éviter les risques de brûlage du luminophore, les mesures suivantes sont recommandées:

Comme tous les périphériques d'affichage à base luminophore et tous les autres affichages gaz plasma, les moniteurs plasma peuvent être sujets au brûlage du luminophore dans certaines circonstances. Certaines conditions d'utilisation, telles que l'affichage continu d'une image statique pour une durée prolongée, peuvent causer le brûlage du luminophore si aucune précaution n'est prise. Pour protéger votre investissement dans ce moniteur à plasma, veuillez suivre les directives et les conseils suivantes pour minimiser l'occurrence du marquage de l'écran:

- \* S'assurer de mettre en marche et d'utiliser l'économiseur d'écran chaque fois que c'est possible, pendant l'utilisation avec une source d'entrée venant d'un ordinateur.
  - \* Afficher une image en mouvement aussi souvent que possible.
  - \* Changer la position de l'affichage de menu de temps à autre.
  - \* Toujours couper l'alimentation après la fin de l'utilisation du moniteur.
- Si le moniteur à plasma est en usage continu ou de longue durée, prendre les mesures suivantes afin d'éviter l'occurrence du brûlage du luminophore:
- \* Abaisser le niveau de l'image (contraste, luminance) autant que possible, sans faire perdre la lisibilité de l'image.
  - \* Afficher une image avec de nombreuses couleurs et graduations de couleur (par ex. des images photo-graphiques ou photo-réalistes).
  - \* Créer un contenu d'image avec un contraste minimal entre les zones sombres et les zones claires, par exemple des caractères blancs sur un fond noir. Utiliser des couleurs complémentaires ou pastels le plus souvent possible.
  - \* Eviter d'afficher des images avec peu de couleurs et des limites nettes et clairement définies entre les couleurs.

## Son de fonctionnement du moniteur plasma

Le panneau du moniteur plasma est composé de pixels extrêmement fins et ces pixels émettent de la lumière en fonction des signaux vidéo reçus. Ce principe peut créer un bourdonnement ou un ronflement électrique venant du moniteur plasma. Veuillez également noter que la vitesse de rotation du ventilateur de refroidissement peut augmenter lorsque la température ambiante du moniteur plasma augmente. Lorsque cela se produit, il est possible que vous entendiez le moteur du ventilateur.

## Remarque:

Les éléments suivants ne sont pas couverts par la garantie.

- Rémanence
- Sons générés par le panneau, par exemple : Bruit du moteur de ventilateur, ronflement du circuit électrique / bourdonnement du panneau de verre.

Contactez un revendeur agréé ou un revendeur de marque pour d'autres procédures qui conviendront le mieux à vos besoins particuliers.

## Avertissement

Ne pas utiliser dans une salle d'ordinateurs telle que définie dans la Norme pour la protection des ordinateurs électroniques/appareils de traitement des données ANSI/NFPA75.

Cet appareil a été testé et trouvé conforme avec les limites des appareils numériques de classe B, conformément à l'article 15 du règlement FCC. Ces limites sont conçues pour offrir une protection raisonnable contre les interférences nuisibles dans une installation résidentielle. Cet appareil génère, utilise et peut émettre de l'énergie radiofréquence et, s'il n'est pas installé et utilisé selon les instructions, peut causer des interférences nuisibles aux communications radio. Cependant, il n'y a aucune garantie que de telles interférences ne se produisent pas pour une installation particulière. Si cet appareil causait des interférences nuisibles à la réception radio ou télévisée, ce qui peut être déterminé en mettant l'appareil hors et sous tension, vous être encouragé à essayer de corriger ces interférences à l'aide de l'une ou plusieurs mesures suivantes:

- Réorientez ou déplacez l'antenne réceptrice.
- Augmentez l'espace entre l'appareil et le récepteur.
- Connectez l'appareil sur une prise secteur appartenant à un circuit différent de celui sur lequel le récepteur est connecté.
- Consultez votre revendeur ou un technicien radio/télévision expérimenté.

Cet appareil numérique de la classe B est conforme à la norme NMB-003 du Canada.

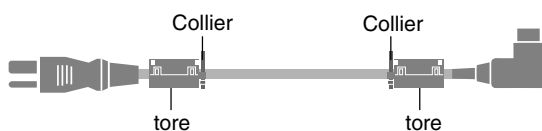
### REMARQUE :

Lorsque vous utilisez un câble RGB (non fourni), utilisez un câble RGB comprenant une âme en ferrite (non fourni) à ses deux extrémités. Sinon, ce moniteur ne sera pas conforme aux normes FCC obligatoires.

### REMARQUE :

Lorsque vous utilisez le câble d'alimentation (fourni) utilisez les âmes en ferrite fournies. Placez les âmes en ferrite (fournies) aux deux extrémités du câble d'alimentation (fournir) puis utilisez les colliers (fournis) pour fixer les âmes en ferrite (fournies) au câble d'alimentation (fourni) Sinon, ce moniteur ne sera pas conforme aux normes FCC obligatoires.

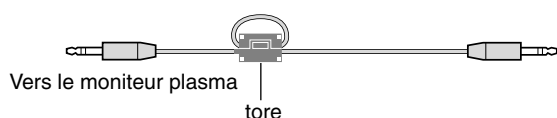
Câble d'alimentation (fourni)



### REMARQUE :

Lorsque vous utilisez un câble télécommande (non fourni), utilisez l'âme en ferrite fournie. Enroulez le câble télécommande (non fourni) autour de l'âme en ferrite (fournie) une fois, puis serrez la fermeture. Sinon, ce moniteur ne sera pas conforme aux normes FCC obligatoires.

Câble à distance (non fourni)



## AVERTISSEMENT

Cet appareil est muni d'une fiche de mise à la terre (masse) à trois fils. Comme la fiche présente une troisième broche (de terre), elle ne peut se brancher que sur une prise de courant, prévue pour une mise à la terre. Si vous n'arrivez pas à insérer la fiche dans la prise de courant, contactez un électricien qualifié pour faire remplacer la prise par une qui soit mise à la terre. N'annulez pas la fonction de sécurité que procure cette fiche de mise à la terre.

## Milieu de fonctionnement

Température et humidité du milieu de fonctionnement: De 0 °C à +40 °C (de +32 °F à +104 °F); Humidité relative inférieure à 80 % (orifices de ventilation non obstrués) N'installez pas l'appareil dans un endroit mal ventilé ou un lieu soumis à une forte humidité ou en plein soleil (ou à une forte lumière artificielle).



## Mise au rebut de votre produit usagé

La législation européenne, appliquée dans tous les Etats membres, exige que les produits électriques et électroniques portant la marque (à gauche) doivent être mis au rebut séparément des autres ordures ménagères. Ceci inclus les moniteurs plasma et leurs accessoires électriques. Lorsque vous mettez au rebut ces produits, veuillez suivre les recommandations des autorités locales et/ou demandez conseil au magasin qui vous a vendu le produit.

Une fois ces produits mis au rebut, ils sont recyclés et de manière appropriée. Cet effort nous aidera à réduire les déchets et à maintenir au niveau minimum leurs conséquences négatives sur la santé humaine et sur l'environnement.

La marque figurant sur les produits électriques et électroniques ne s'applique qu'aux Etats membres actuels de l'Union Européenne.

## ATTENTION

Lorsque vous disposez de piles / batteries usées, veuillez vous conformer aux normes gouvernementales ou environnementales en vigueur dans votre pays ou région.

## ATTENTION

Il y a danger d'explosion s'il y a un remplacement incorrect de la batterie.

Remplacer uniquement avec une batterie du même type ou d'un type équivalent recommandé par le constructeur.

Mettre au rebut les batteries usagées conformément aux instructions du fabricant.

# Installation

Le socle-support optionnel peut être attaché au moniteur à plasma selon l'une des deux méthodes suivantes :

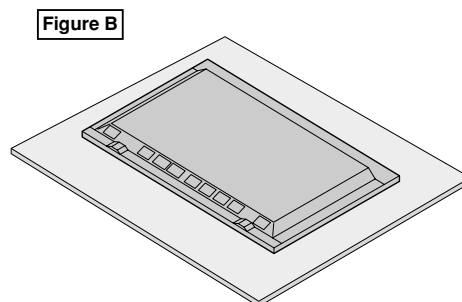
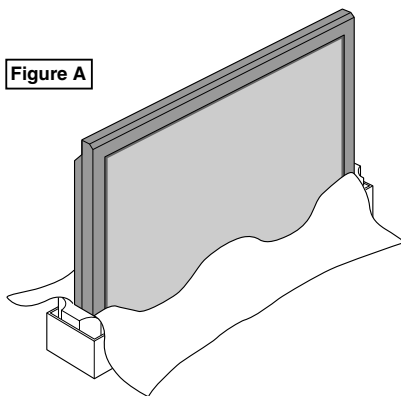
- \* Position verticale. (Voir la figure A)
- \* Position horizontale avec l'écran face vers le bas (Voir la figure B). Poser la feuille de protection, enveloppant le moniteur dans son emballage, sous la surface de l'écran pour la protéger contre les rayures.
- \* Ne pas toucher ou saisir l'écran pendant le transport de l'appareil.

- **Cet appareil ne peut pas être installé indépendamment. S'assurer d'utiliser un support ou une unité de montage d'origine. (Unité de montage mural, support, etc.)**
  - **Pour effectuer une installation et un montage corrects, il est recommandé de faire appel au concessionnaire spécialisé et agréé.**
- Si la procédure de montage n'est pas correctement suivie, l'appareil peut être endommagé et l'installateur s'expose à des risques de blessure.
- La garantie de l'appareil ne couvre pas les dégâts occasionnés par une installation.

## ATTENTION

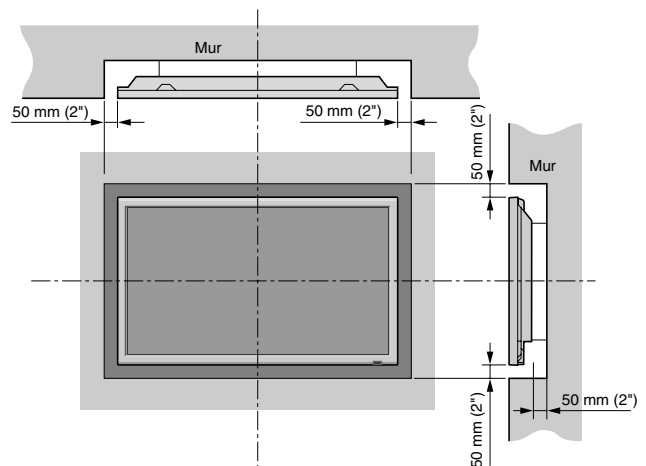
- Installez l'appareil en suivant les instructions du manuel de l'unité optionnelle.
- Installez l'appareil à un endroit stable et à niveau, assez résistant pour supporter le poids.
- Utilisez les attaches spécifiées pour l'installation.
- Après l'installation, assurez-vous de prendre les mesures nécessaires pour éviter que l'appareil ne tombe.
- Assurez-vous de déplacer ou d'installer l'appareil avec l'aide d'une autre personne (ou plusieurs).

\* N'utilisez que le kit ou support de montage fourni par le fabricant et les options listées ci-après.



## Ventilation requise pour le montage de l'ensemble

Afin de dissiper la chaleur, laisser un espace libre entre les objets environnants comme indiqué sur le schéma lors de l'installation.

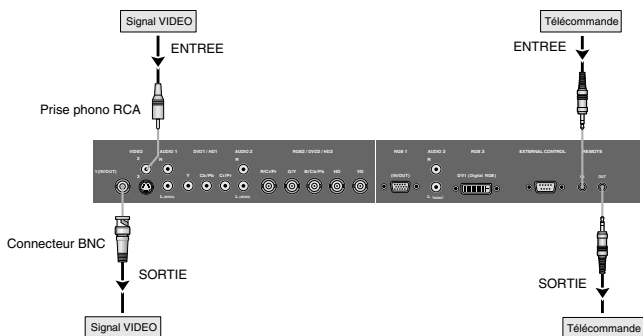


## Créer un mur d'images

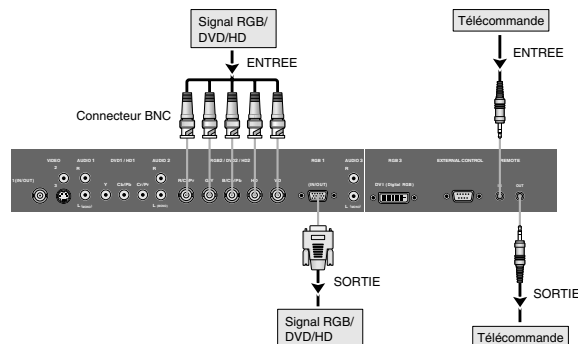
Grâce aux possibilités de l'affichage matriciel, il est possible de créer un mur vidéo 2 × 2, 3 × 3, 4 × 4, 5 × 5, 5 × 1, 1 × 5.

- Raccorder les câbles signal et les câbles télécommande comme illustré ci-dessous.

### Signal vidéo



### Signal RGB/DVD/HD



### Remarque:

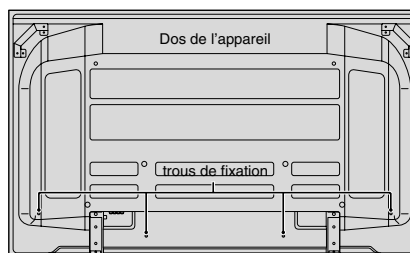
1. Les bornes VIDEO1 et RGB1 sont utilisables en INPUT (entrée) et OUTPUT (sortie).  
Si LOOP OUT (MODE RÉPÉTITION) est sur MARCHE, ne pas raccorder un signal OUTPUT provenant d'un autre appareil sous peine de charge excessive et de détérioration de cet autre appareil.
2. Il n'est pas possible de mettre LOOP OUT (MODE RÉPÉTITION) sur MARCHE quand des signaux sont entrés par la borne RGB1.
3. Il est possible de mettre LOOP OUT (MODE RÉPÉTITION) sur MARCHE quand des signaux sont entrés par la borne RGB1 si l'alimentation électrique (POWER) est sur ON (marche).

### Informations

- Pour mettre des signaux en boucle avec un autre écran d'affichage à plasma, régler la fonction LOOP OUT (MODE BOUCLE) sur MARCHE.
- Pour créer un mur d'images, régler les options du menu MUR D'IMAGE en conséquence.
- Pour le raccordement de moniteurs, utiliser un câble BNC de 1 m à 2 m (3,3 pieds à 6,6 pieds) de long (d'un type disponible dans le commerce).
- Si la qualité de l'image est médiocre, ne pas raccorder la borne sortie du moniteur. Raccorder les signaux composites aux bornes INPUT (entrée) respectives du moniteur en procédant à l'aide d'un amplificateur de distribution (d'un type disponible dans le commerce).
- Avec la fonction mur d'images, la projection sur 4 écrans est approximative si le signal est inférieur à 1024 × 768, 60 Hz.
- Il est particulièrement recommandé d'utiliser un amplificateur de distribution lorsque vous utilisez 3 × 3 écrans ou un mur vidéo.
- Lorsque vous bouclez de plasma à plasma, un câble de conversion D-Sub – 5BNC mâle à 15 broches de 1 m à 2 m de long est nécessaire.

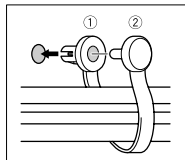
## Fixation des câbles

En utilisant les serre-câbles et les colliers à perles fournis avec l'écran à plasma, groupez les câbles de signal et les câbles audio à l'arrière de l'appareil pour les connecter à l'écran.

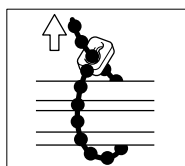


### Pour fixer

Insérer ① dans un trou de fixation, puis encastrer ② à l'arrière de ① pour fixer le collier. Les colliers sont conçus pour être difficile à détacher une fois qu'ils sont en position. Veuillez les fixer avec précaution. Les câbles peuvent être orientés vers la droite ou vers la gauche.

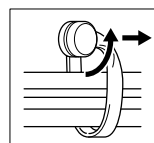


Regroupez les différents câbles et fixez-les à l'aide des colliers à perles fournis. Ne permettez pas qu'une force trop importante soit exercée sur les extrémités des câbles.



### Pour libérer

A l'aide de pinces, tordre le collier de 90° et le tirer vers l'extérieur. Dans certains cas, il se peut que le collier ait été détérioré au fil du temps et qu'il se trouve endommagé lorsqu'on le retire.



## Faire attention lorsque le moniteur plasma est installé verticalement

- Utilisez l'unité en option. Contactez votre magasin d'achat lors de l'installation.
  - Lors de l'installation, faites pivoter de 90° dans le sens des aiguilles d'une montre en faisant face au moniteur.
  - Après installation, vérifiez avec la marque de logo NEC en faisant face au moniteur.
  - Assurez-vous de régler "ANGLE OSM" sur "V" lors de l'utilisation.
- \* Le fait de ne pas tenir compte de cet avertissement peut entraîner un dysfonctionnement.

## Comment utiliser la télécommande

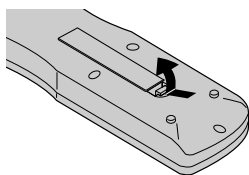
### Mise en place et remplacement des piles

Piles à utiliser :

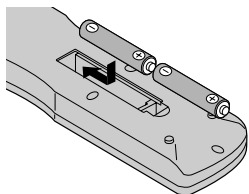
Veuillez utiliser des piles de format AAA (R03) ou AAA (LR03).

Insérer les 2 piles "AAA" en respectant bien les polarités.

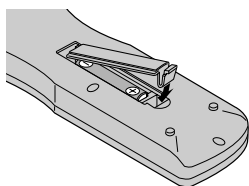
1. Appuyer et ouvrir le couvercle.



2. Aligner les piles en fonction des marques ⊕ et ⊖ situées dans le boîtier.



3. Remettre le couvercle.

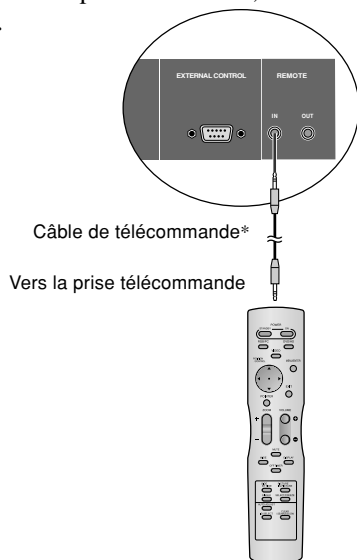


### Utilisation du mode télécommande à câble

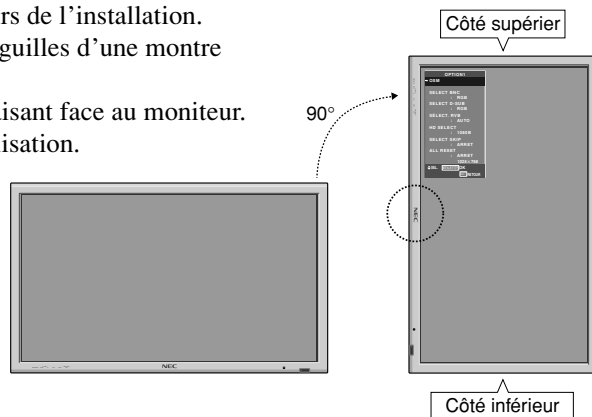
Connecter le câble de télécommande\* à la prise de télécommande de la télécommande et à la borne "REMOTE IN" du moniteur.

Lorsque le câble est connecté, le mode commute automatiquement à la télécommande à câble.

Lorsque le mode de télécommande à câble est utilisé, la télécommande peut être utilisée, même si aucune pile n'est insérée.



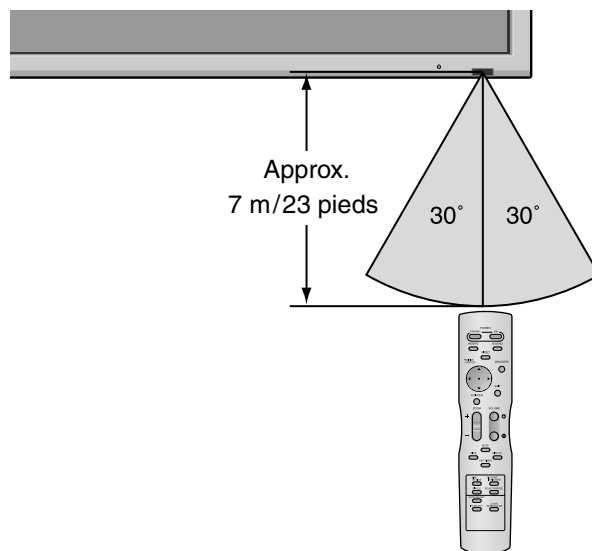
\* Le mini-câble stéréo 1/8 n'est pas fourni.



### Distance de fonctionnement

\* Utiliser la télécommande à une distance d'environ 7 m/23 pieds du capteur du signal de télécommande et selon un angle horizontal et vertical d'environ 30°.

\* La télécommande peut ne pas fonctionner si le capteur sur le moniteur est exposé directement au soleil ou à une lumière artificielle de forte intensité ; il en va de même si un obstacle est interposé entre la télécommande et le capteur du moniteur.



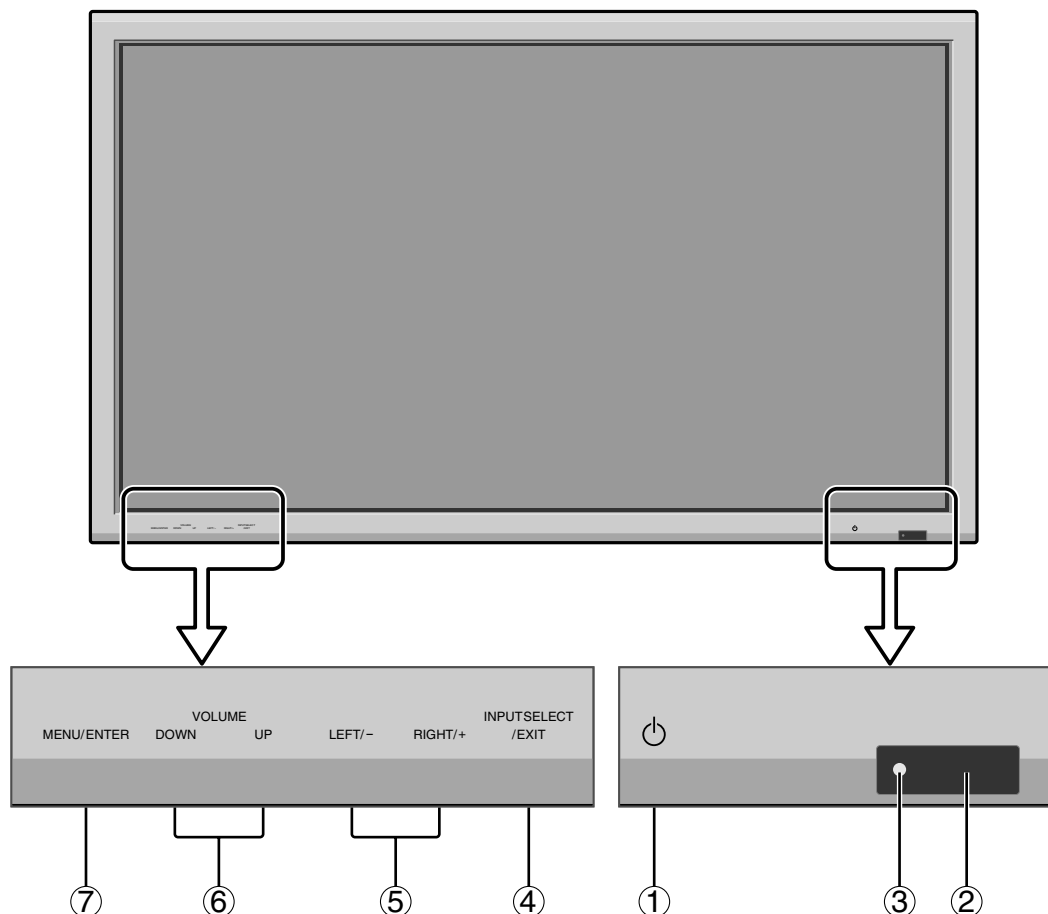
### ATTENTION

- N'utilisez que les piles spécifiées.
- Assurez-vous que vous insérez les piles correctement en suivant les indications ⊕ et ⊖.
- Ne pas faire tomber ou manipuler incorrectement la télécommande.
- Ne pas mouiller la télécommande. Si la télécommande est mouillée, l'essuyer immédiatement.
- Eviter de l'exposer à la chaleur et à l'humidité.
- Lorsque la télécommande n'est pas utilisée pendant une longue période, enlever les piles.
- Ne pas utiliser des piles neuves avec des piles usées en même temps, et ne pas utiliser des piles de marques différentes en même temps.
- Ne pas démonter les piles, ne pas les chauffer, et ne pas les jeter au feu.
- Lors de l'utilisation de la télécommande sans câble, s'assurer de débrancher le câble de télécommande de la borne REMOTE IN (télécommande) du moniteur.



# Noms des composants et leur fonction

## Vue de face

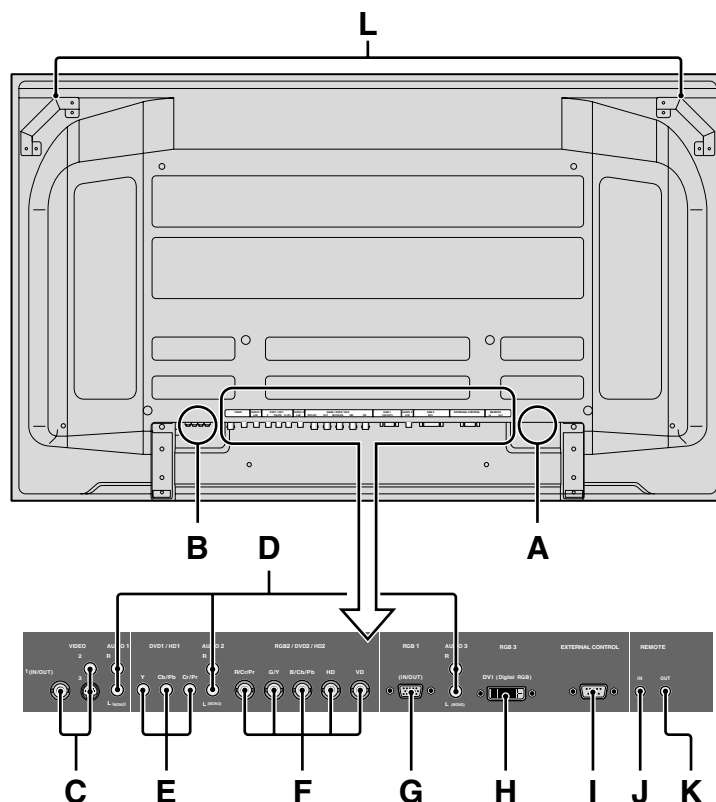


- ① **Alimentation électrique**  
Met en marche ou arrête le moniteur.
- ② **Fenêtre du capteur des signaux de télécommande**  
Reçoit les signaux de la télécommande.
- ③ **Indicateur POWER/STANBY (MARCHE/VEILLE)**  
S'allume en vert ..... quand l'appareil est en marche.  
S'allume en rouge ..... quand l'appareil est en veille.
- ④ **INPUT SELECT/EXIT (SELECTION DE L'ENTREE / SORTIE)**  
Commute l'entrée.  
Fonctionne comme les boutons EXIT dans le mode d'affichage des menus (OSM).
- ⑤ **LEFT/- et RIGHT/+ (GAUCHE/ - et DROITE/ +)**  
Les fonctions telles que les boutons CURSEUR (◀ / ▶) sont utilisées pour régler les paramètres de l'image en mode de menu à l'écran (OSM).
- ⑥ **VOLUME plus fort et moins fort**  
Réglage du volume.  
Fonctionne comme les boutons du CURSEUR (▲/▼) dans le mode d'affichage des menus (OSM).
- ⑦ **MENU/ENTER (UTILISER L'APPAREIL)**  
Affiche le mode de menus sur l'écran (OSM) et affiche le menu principal.

### AVERTISSEMENT

Le commutateur de Marche/Arrêt ne déconnecte pas totalement l'affichage plasma de l'alimentation secteur.

## Vue arrière / Raccordements



**A AC IN (ENTREE DU CORDON D'ALIMENTATION ELECTRIQUE CA)**  
Branchement du câble d'alimentation fourni avec l'appareil.

**B EXT SPEAKER L et R (HP EXT. G et D)**  
Connexions des haut-parleurs (option). Bien respecter la polarité. Raccorder le câble  $\oplus$  (positif) à la borne  $\oplus$  EXT SPEAKER et le câble  $\ominus$  (négatif) à la borne  $\ominus$  EXT SPEAKER pour chaque canal GAUCHE et DROIT.  
Voir le mode d'emploi des haut-parleurs.

**C VIDEO1, 2, 3 (BNC, RCA, S-Video)**  
Raccorder ici les magnétoscopes (VCR), les lecteurs de DVD ou les vidéoscopes.  
VIDEO1 peut être utilisé en entrée ou en sortie.

**D AUDIO1, AUDIO2, AUDIO3**  
Bornes audio.  
Cette entrée est sélectionnable. Régler le type d'image vidéo à afficher sur l'écran de menu.

**E DVD1 / HD1**  
Connexions pour DVD, lecteur laser vidéo haute définition, etc.

**F RGB2/ DVD2/ HD2**  
RGB2: Entrée du signal RGB analogique et du signal de synchronisation.  
DVD2/HD2: Vous pouvez connecter ici des DVD, des sources Haute Définition, des disques lasers, etc.  
Cette entrée peut être réglée pour une utilisation avec une source RGB ou composant.

**G RGB1 (mini D-sub à 15 broches)**  
Raccorder ici les signaux RGB analogiques provenant d'un ordinateur ou autre. Ce connecteur peut être utilisé en entrée ou en sortie.

**H RGB3 (DVI à 24 broches)**  
Connecter un signal numérique (TMDS) à partir d'une source équipée d'une sortie DVI.  
Cette entrée peut être réglée pour une utilisation avec une source RGB3.

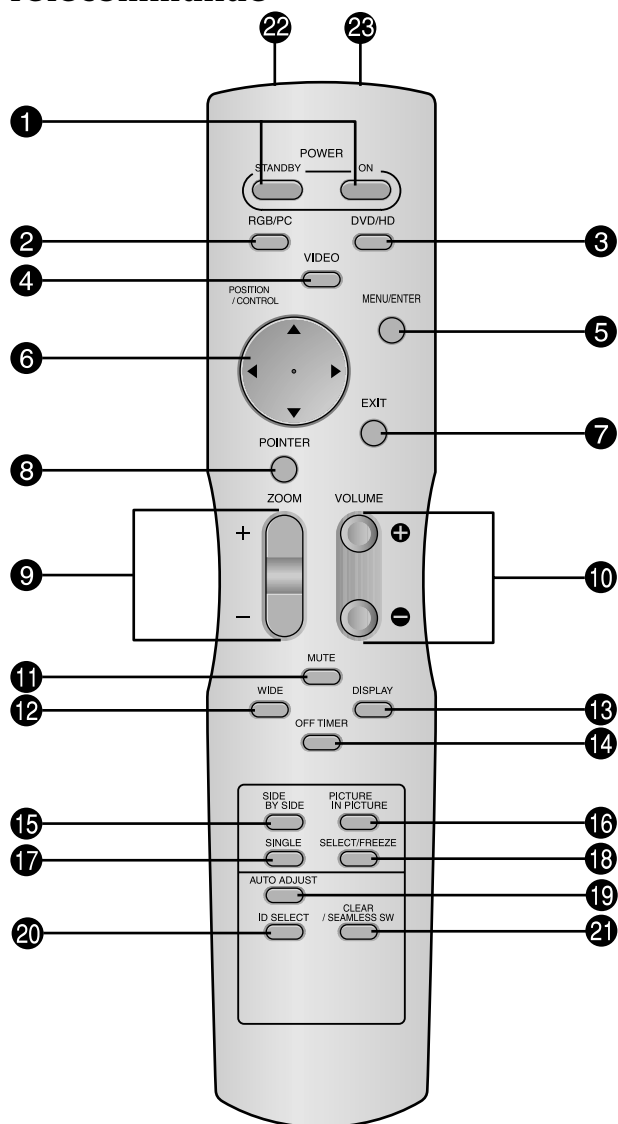
**I EXTERNAL CONTROL (COMMANDE EXTÉRIEURE)**  
Cette borne est à utiliser pour la commande et le contrôle extérieurs (par RS-232C) du moniteur.

**J REMOTE IN**  
Pour permettre la commande à distance câblée, raccorder le câble de télécommande au jack télécommande de la télécommande.

**K REMOTE OUT**  
Pour permettre une commande à distance câblée, raccorder le câble de télécommande au jack REMOTE IN de l'autre moniteur d'affichage.

**L Poignées**  
Utiliser lors de l'installation ou du transport du moniteur plasma.

## Télécommande



### 1 POWER ON/STANDBY (Alimentation électrique)

Allume/met l'appareil en attente.  
(Cela ne fonctionne pas quand l'indicateur POWER/STANDBY de l'appareil principal est éteint.)

### 2 RGB/PC

Appuyer sur cette touche pour choisir RGB/PC comme source. RGB/PC peut aussi être sélectionné en utilisant le bouton INPUT SELECT sur le moniteur.

### 3 DVD / HD

Appuyer sur cette touche pour choisir DVD/HD comme source.  
DVD/HD peut aussi être sélectionné en utilisant le bouton INPUT SELECT sur le moniteur.

### 4 VIDEO

Appuyer sur cette touche pour choisir VIDÉO comme source.

→ VIDEO1 → VIDEO2 → VIDEO3

VIDÉO peut aussi être sélectionné en utilisant le bouton INPUT SELECT sur le moniteur.

### 5 MENU/ENTER

Appuyer sur ce bouton pour accéder aux commandes OSM. Appuyer sur ce bouton pendant l'affichage du menu principal pour aller dans les sous-menus.

### 6 CURSOR (▲ / ▼ / ◀ / ▶)

Utiliser les touches pour sélectionner des articles ou des réglages ainsi que pour effectuer les réglages ou commuter l'affichage.

### 7 EXIT

Appuyer sur ce bouton pour sortir des commandes OSM dans le menu principal. Appuyer sur ce bouton pendant l'affichage d'un sous-menu pour retourner au menu précédent.

### 8 POINTER

Appuyer sur ce bouton pour afficher le pointeur.

### 9 ZOOM (+ / -)

Elargit ou réduit la taille de l'image.

### 10 VOLUME (+ / -)

Réglage du volume sonore.

### 11 MUTE

Met le son en sourdine.

### 12 WIDE

Appuyer sur ce bouton pour sélectionner et changer le format d'image.

La touche "WIDE" (large) ne fonctionne pas pour tous les signaux.

### 13 DISPLAY

Affiche la source sélectionnée à l'écran.

### 14 OFF TIMER

Active la temporisation de la coupure de l'alimentation.

### 15 SIDE BY SIDE

Appuyez sur cette touche pour afficher des images en mode côte-à-côte.

### 16 PICTURE IN PICTURE

Appuyez sur cette touche pour afficher des images en mode image dans l'image.

### 17 SINGLE

Annule le mode de division de l'écran.

### 18 SELECT/FREEZE

Appuyer sur cette touche pour sélectionner l'image active en mode d'écran multi.

Lorsque la fonction GEL IMAGE est en fonctionnement, cette touche peut être utilisée pour afficher les images fixes sur le sous-écran.

### 19 AUTO ADJUST

Appuyer sur cette touche pour que les réglages de piqué, ajustement d'image, position et contraste soient automatiquement effectués. Appuyer également sur cette touche pour faire passer automatiquement le format d'écran en mode ZOOM avec la légende superposée ne s'affichant complètement que lorsque l'image contient des parties sombres au-dessus et au-dessous.

### 20 ID SELECT (SÉLECT. ID)

Entrer le numéro d'identification (ID) dans la télécommande. Cette télécommande n'est utilisable qu'avec un écran d'affichage de même numéro d'ID. Quand plusieurs écrans sont utilisés simultanément, leur commande peut s'effectuer individuellement.

### 21 CLEAR (EFFACER)/SEAMLESS SW

Pour effacer le numéro entré à l'aide de la touche ID SELECT.

Lorsque la fonction SEAMLESS SW est en fonctionnement, cette touche peut être utilisée pour commuter rapidement la source d'entrée.

### 22 Transmetteur de signaux de la télécommande

Transmet les signaux de commande à distance.

### 23 Prise Jack de la télécommande

Insérer la fiche du câble de télécommande (Le mini-câble stéréo 1/8) lors de l'utilisation de la télécommande reliée par câble.

# Fonctions de base

## POWER (MARCHÉ/ARRÊT)

Pour mettre en marche et arrêter l'appareil :

1. Relier le câble d'alimentation à une prise active du secteur.
2. Appuyer sur la touche d'alimentation électrique (Power) (de l'appareil).  
Le voyant POWER/STANDBY (MARCHÉ/VEILLE) sur le moniteur s'allume en rouge pour indiquer que ce dernier est en veille.
3. Appuyer sur la touche POWER ON (de la télécommande) pour mettre le moniteur en marche.  
Le voyant POWER/STANDBY (MARCHÉ/VEILLE) sur le moniteur s'allume en vert pour indiquer que ce dernier est alimenté.
4. Pour mettre l'appareil hors tension, appuyer sur la touche POWER STANDBY (de la télécommande) ou sur la touche Power (alimentation électrique) de l'appareil.  
Le voyant POWER/STANDBY (MARCHÉ/VEILLE) sur le moniteur s'allume en rouge pour indiquer que ce dernier est en veille (uniquement lorsqu'on éteint l'appareil avec la télécommande).

## VOLUME

Pour régler le volume sonore :

1. Pour amener le volume sonore au niveau souhaité, appuyer et laisser le doigt sur la touche VOLUME ⊕ (du boîtier de télécommande ou de l'appareil).
2. Appuyer et maintenir le doigt sur la touche VOLUME ⊖ (de la télécommande ou du moniteur) pour réduire le volume jusqu'au niveau souhaité.

## MUTE (SOURDINE)

Pour mettre le son en sourdine :

Appuyez sur la touche MUTE de la télécommande pour couper le son ; appuyez de nouveau pour le rétablir.



## DISPLAY (AFFICHAGE)

Pour vérifier les réglages :

1. Appuyer sur le bouton DISPLAY pour afficher le mode d'affichage.
2. L'indication disparaît au bout d'environ trois secondes si la touche n'est pas actionnée.

## ZOOM NUMÉRIQUE

Le zoom numérique définit la position des images et élargit les images.

1. (S'assurer que ZOOM NAVIG est à l'arrêt.)  
Appuyer sur la touche POINTER pour l'afficher. (  )  
**Pour modifier la taille de l'image :**  
Appuyer sur le bouton ZOOM+ et élargir l'image.  
Le pointeur prend la forme d'une loupe. (  )  
Une pression sur le bouton ZOOM- va réduire la taille de l'image et la remettre à sa taille d'origine.

**Pour modifier la position de l'image :**

Sélectionner la position avec les boutons ▲▼◀▶.

2. Appuyer sur la touche POINTER pour le faire disparaître.

## AUTO ADJUST (REGLAGE AUTO)

Pour régler automatiquement le format et la qualité de l'image :

Appuyer sur la touche AUTO ADJUST.

### Informations

#### ■ Paramètre AUTO ADJUST MARCHÉ

Lorsqu'une entrée RGB (image fixe) est sélectionnée: Le réglage de piqué, ajustement d'image, position et contraste seront automatiquement effectués.

Lorsque une entrée RGB (image animée), VIDEO ou Y/Pb/Pr (composantes) est sélectionnée:

Le format d'image passe automatiquement en mode ZOOM avec la légende superposée ne s'affichant complètement que lorsque l'image contient des parties sombres au-dessus et au-dessous.

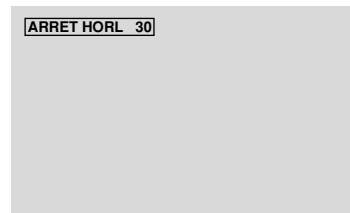
## OFF TIMER (ARRÊT TEMPORISÉ)

Réglage de la temporisation de l'alimentation :

La temporisation d'alimentation peut être réglée pour que le moniteur s'éteigne seul au bout de 30, 60, 90 ou 120 minutes.

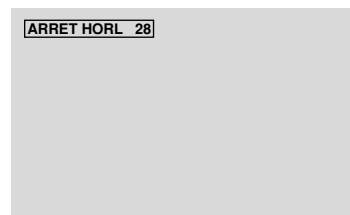
1. Appuyer sur la touche OFF TIMER pour régler la temporisation à 30 minutes.
2. Appuyer sur la touche OFF TIMER jusqu'à l'obtention de la durée souhaitée.
3. La temporisation commence à partir du moment où le menu disparaît.

→ 30 → 60 → 90 → 120 → 0



Vérification du temps restant avant l'arrêt automatique:

1. Une fois la temporisation réglée, appuyer une nouvelle fois sur la touche OFF TIMER.
2. Le temps restant avant l'arrêt automatique est affiché puis disparaît après quelques secondes.
3. Pendant les cinq dernières minutes de temporisation, le temps restant s'affiche jusqu'à l'arrêt automatique.



Annulation de la temporisation de l'alimentation:

1. Appuyer sur la touche OFF TIMER deux fois de suite.
2. La temporisation est annulée.



### Remarque:

Après que l'alimentation est coupée par le mode de temporisation...

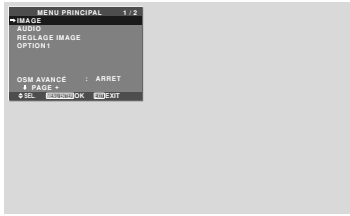
Un courant de faible intensité est toujours envoyé au moniteur. Si l'on doit quitter les lieux ou ne pas utiliser le système pendant une durée prolongée, il est préférable de couper complètement l'alimentation du moniteur.

# Commandes OSM (MENUS ÉCRAN)

## Opérations de menu

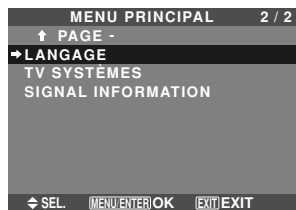
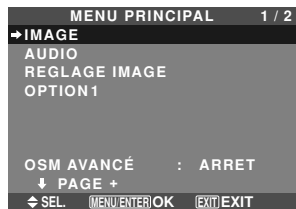
La fenêtre OSM s'affiche sur l'écran exactement comme indiqué sur le schéma.

- \* Selon le mode dans lequel se trouve l'écran, l'OSM peut montrer un affichage différent. Dans l'explication, l'affichage OSM est illustré en gros plan.

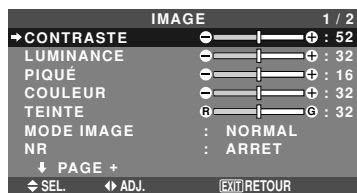


Ce chapitre décrit l'utilisation des menus et des rubriques sélectionnées.

1. Appuyer sur la touche MENU/ENTER de la télécommande pour accéder au MENU PRINCIPAL.



2. Appuyer sur les flèches ▲ ▼ de la télécommande pour sélectionner le menu souhaité.
3. Appuyer sur la touche MENU/ENTER de la télécommande pour activer le sous-menu ou la rubrique souhaitée.



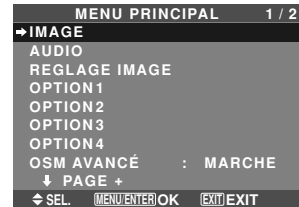
4. Régler le niveau ou modifier le réglage de la rubrique souhaitée à l'aide des touches ◀ ▶ la télécommande.
  5. Le réglage ou le paramétrage est mémorisé. La modification devient la référence jusqu'à nouveau paramétrage.
  6. Répéter les étapes 2 à 5 pour régler un paramètre supplémentaire ou appuyer sur la touche EXIT (sortie) de la télécommande pour retourner au menu principal.
- \* Lors du réglage à l'aide de la barre au bas de l'écran, appuyez sur la touche ◀ ou ▶ dans les 5 secondes. Si vous ne le faites pas, la configuration actuelle est sauvegardée et l'écran précédent apparaît.

**Remarque:** Le menu principal disparaît en appuyant sur le bouton EXIT (sortie).

## Informations

### ■ Mode menu avancé


Si "OSMAVANCÉ" est réglé sur "MARCHE" au menu principal (1/2), toutes les rubriques du menu sont affichées.



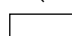
\* L'écran réel peut être différent de ceux montrés dans ce manuel.

## Arborescence de menus

\* Pour plus de détails sur chaque élément de menu, veuillez vous référer au CD-ROM.

 : La partie hachurée indique la valeur par défaut.

- ← → + : Appuyer sur le bouton ◀ ou ▶ pour régler.

 : Les rubriques du menu sont accessibles dans une fenêtre réglée quand OSM AVANCÉ est réglé sur MARCHÉ.

MENU PRINCIPAL	SOUS-MENU	SOUS-MENU 2	SOUS-MENU 3	SOUS-MENU 4	RÉINITIALISATION	ANGLE OSM "V"	REFERENCE	
IMAGE	CONTRASTE	- ← → + 0 ← <u>52</u> → 72			OUI	OUI	Fr-21	
	LUMINANCE	- ← → + 0 ← <u>32</u> → 64			OUI	OUI	Fr-21	
	PIQUÉ	- ← → + 0 ← <u>16</u> → 32			OUI	OUI	Fr-21	
	COULEUR	- ← → + 0 ← <u>32</u> → 64			OUI	OUI	Fr-21	
	TEINTE	R ← → G 0 ← <u>32</u> → 64			OUI	OUI	Fr-21	
	MODE IMAGE	CLAIR/NORMAL/CINEMA1/CINEMA2/DEFAULT			OUI	OUI	Fr-21	
	NR	ARRET/NR-1/NR-2/NR-3			OUI	OUI	Fr-21	
	TEMP. COUL	BASSE -/BASSE +/MEDIUM/HAUTE			OUI	OUI	Fr-21	
	BALANCE DES BLANCS	LUM. ROUGE	- ← → + 0 ← <u>40</u> → 70			OUI	NON	Fr-22
		LUM. VERTE	- ← → + 0 ← <u>40</u> → 70			OUI	NON	Fr-22
		LUM. BLEUE	- ← → + 0 ← <u>40</u> → 70			OUI	NON	Fr-22
		CONT. ROUGE	- ← → + 0 ← <u>40</u> → 70			OUI	NON	Fr-22
		CONT. VERTE	- ← → + 0 ← <u>40</u> → 70			OUI	NON	Fr-22
		CONT. BLEUE	- ← → + 0 ← <u>40</u> → 70			OUI	NON	Fr-22
		RESET	ARRET ← → MARCHÉ			OUI	NON	Fr-22
		GAMMA	1 ← → 2 ← → ... → 4			OUI	NON	Fr-22
		TON BAS <sup>*4</sup>	MODE1 ← → MODE2			OUI	NON	Fr-22
		REGL COULEUR	ROUGE	J ← → M 0 ← <u>32</u> → 64			OUI	NON
	VERT		C ← → J 0 ← <u>32</u> → 64			OUI	NON	Fr-22
	BLEU		M ← → C 0 ← <u>32</u> → 64			OUI	NON	Fr-22
	JAUNE		V ← → R 0 ← <u>32</u> → 64			OUI	NON	Fr-22
	MAGENTA		R ← → B 0 ← <u>32</u> → 64			OUI	NON	Fr-22
	CYAN		B ← → V 0 ← <u>32</u> → 64			OUI	NON	Fr-22
RESET	ARRET ← → MARCHÉ			OUI	NON	Fr-22		

MENU PRINCIPAL	SOUS-MENU	SOUS-MENU 2	SOUS-MENU 3	SOUS-MENU 4	RÉINITIALISATION	ANGLE OSM "V"	REFERENCE
AUDIO	BASSE	- ← → + 0 ← <u>13</u> → 26			OUI	OUI	Fr-23
	AIGUE	- ← → + 0 ← <u>13</u> → 26			OUI	OUI	Fr-23
	BALANCE	L ← → R -22 ← 0 → +22			OUI	OUI	Fr-23
	AUDIO INPUT1	VIDEO 1-3 / DVD/HD 1-2 / RGB 1-3			OUI	OUI	Fr-23
	AUDIO INPUT2	VIDEO 1-3 / DVD/HD 1-2 / RGB 1-3			OUI	OUI	Fr-23
	AUDIO INPUT3	VIDEO 1-3 / DVD/HD 1-2 / RGB 1-3			OUI	OUI	Fr-23

MENU PRINCIPAL	SOUS-MENU	SOUS-MENU 2	SOUS-MENU 3	SOUS-MENU 4	RÉINITIALISATION	ANGLE OSM "V"	REFERENCE
REGLAGE IMAGE	MODE	NORMAL/COMPLET/STADIUM/ZOOM/2.35:1/14:9/UNDERSCAN/REELLE <sup>*3</sup>			—	OUI	Fr-23
	V-POSITION	- ← → + -64 ← 0 → +64			OUI	OUI	Fr-23
	H-POSITION	- ← → + -128 ← 0 → +127			OUI	OUI	Fr-23
	V-HAUTEUR	- ← → + 0 ← <u>64</u>			OUI	OUI	Fr-23
	H-LARGEUR	- ← → + 0 ← <u>64</u>			OUI	OUI	Fr-23
	RÉGLAGE AUTO	ARRET ← → MARCHÉ <sup>*2</sup>			NON	OUI	Fr-23
	RÉG FIN <sup>*1</sup>	- ← → + <sup>*2</sup> 0 ← <u>64</u>			OUI	OUI	Fr-23
	RÉG. IMAGE <sup>*1</sup>	- ← → + <sup>*2</sup> 0 ← <u>64</u>			OUI	OUI	Fr-23
	UNDERSCAN	ARRET ← → MARCHÉ			OUI	NON	Fr-23

MENU PRINCIPAL	SOUS-MENU	SOUS-MENU 2	SOUS-MENU 3	SOUS-MENU 4	RÉINITIALISATION	ANGLE OSM "V"	REFERENCE
OPTION1	OSM	AFFICHER OSM	ARRET ← → MARCHÉ		OUI	OUI	Fr-24
		AJUST OSM	1 ← → ... → 6		OUI	OUI	Fr-24
		ANGLE OSM	HOR. ← → V		OUI	OUI	Fr-24
		POSITION OSM	ARRET ← → MARCHÉ		OUI	OUI	Fr-24
		CONTRAST. OSM	BASSE ← → NORMAL		OUI	OUI	Fr-24
		SELECT BNC	RGB ← → COMP.		OUI	OUI	Fr-24
		SELECT D-SUB	RGB		—	OUI	Fr-24
		SÉLECT. RVB	AUTO		OUI	OUI	Fr-24
	HD SELECT	1080B/1035I/1080A		NON	OUI	Fr-25	
	SELECT SKIP	ARRET ← → MARCHÉ		OUI	OUI	Fr-25	
	ALL RESET	ARRET ← → MARCHÉ		—	OUI	Fr-25	

MENU PRINCIPAL	SOUS-MENU	SOUS-MENU 2	SOUS-MENU 3	SOUS-MENU 4	RÉINITIALISATION	ANGLE OSM "V"	REFERENCE	
OPTION2	ECO ÉNERGIE	ARRET←→MARCHE			OUI	NON	Fr-26	
	MODE CINEMA	ARRET←→MARCHE			OUI	NON	Fr-26	
	LONGUE DURÉE	PLE	AUTO/VERROU1/VERROU2/VERROU3			OUI	NON	Fr-26
		ROTATION PIX	AUTO 1			OUI	NON	Fr-27
			AUTO 2			OUI	NON	Fr-27
			MANUEL	PIXEL H/LIGNE V/DURÉE		OUI	NON	Fr-27
			ARRET			OUI	NON	Fr-27
		INVERSION	ARRET			OUI	NON	Fr-27
			MARCHE	TEMPS FONCT./TEMPS ATTEN.		OUI	NON	Fr-27
			BLANC			OUI	NON	Fr-27
		SCREEN WIPER	ARRET			OUI	NON	Fr-28
			MARCHE	TEMPS FONCT./TEMPS ATTEN./VITESSE		OUI	NON	Fr-28
		FOCUS LEGER	ARRET/1/2/3/4			OUI	NON	Fr-28
	NIVEAU GRIS	0←→3←→15				OUI	NON	Fr-28
	S1/S2	AUTO←→ARRET				OUI	NON	Fr-29
	TAILLE IMAGE*3	ARRET←→MARCHE				OUI	NON	Fr-29
	DVI SET UP	PLUG/PLAY	PC←→STB/DVD			NON	NON	Fr-29
		BLACK LEVEL	LOW←→HIGH			NON	NON	Fr-29
	PROTOCOLE	ARRET←→MARCHE				OUI	NON	Fr-29
	CLOSECAPTION	ARRET←→CC1~4←→TEXTE1~4				OUI	NON	Fr-30
	CAPTION CONT.	BAS←→NORMAL				OUI	NON	Fr-30
MENU PRINCIPAL	SOUS-MENU	SOUS-MENU 2	SOUS-MENU 3	SOUS-MENU 4	RÉINITIALISATION	ANGLE OSM "V"	REFERENCE	
OPTION3	TIMER	HORLOGE	HEURE D ETE	ARRET←→MARCHE	NON	NON	Fr-30	
			JOUR/HEURE/MINUTES		NON	NON	Fr-30	
		TIMER		ARRET		OUI	NON	Fr-31
	PROG.			JOUR/ON/OFF(HEURE/MINUTES)/ENTRÉE/FONCT.	OUI	NON	Fr-31	
				REPETER	SIMPLE/MULTI/M.VIDEO	OUI	NON	Fr-32
	POWER ON	ENTREE		LAST / MULTI / VIDEO 1-3 / DVD/HD 1-2 / RGB 1-3		OUI	NON	Fr-32
				VOLUME	LAST←→0←→42	OUI	NON	Fr-32
	VERROUILLAGE	ARRET←→MARCHE				OUI	NON	Fr-32
	IR REMOTE	ARRET←→MARCHE				OUI	NON	Fr-33
	MODE BOUCLE	ARRET←→MARCHE				OUI	NON	Fr-33
	ID CONNEXION	ALL←→1←→4				NON	NON	Fr-33
	NUMERO ID	ALL←→1←→256				OUI	NON	Fr-33
	MUR D'IMAGE	DECOUPAGE		ARRET/1/2×2/3×3/4×4/5×5/1×1×5		OUI	NON	Fr-34
				POSITION	No.1←→No.4/No.7←→No.15/No.16←→No.31/No.32←→No.56	—	NON	Fr-34
		AFFICHAGE	SPRIT←→BLANC			OUI	NON	Fr-34
		AUTO ID	ARRET←→MARCHE			OUI	NON	Fr-34
		TRAME	MODE	NORMAL/COMPLET/STADIUM/ZOOM/2.35:1/14:9/UNDERSCAN/REELLE*3		—	NON	Fr-35
	V-POSITION/H-POSITION/V-HAUTEUR/H-LARGEUR/RÉGLAGE AUTO/ RÉG FIN*/RÉG. IMAGE*/UNDERSCAN							
		ON. DIFFÉRÉ	ARRET/MARCHE/MODE1/MODE2			OUI	NON	Fr-35
		PLE LINK	ARRET←→MARCHE			OUI	NON	Fr-35
	MENU PRINCIPAL	SOUS-MENU	SOUS-MENU 2	SOUS-MENU 3	SOUS-MENU 4	RÉINITIALISATION	ANGLE OSM "V"	REFERENCE
OPTION4	2EME SOURCE	DETECTION	ARRET←→AUTO		OUI	NON	Fr-36	
			TRANSPARENCE	20%←→100%		OUI	NON	Fr-36
			AFFICHAGE	FONDU←→NORMAL		OUI	NON	Fr-36
	ZOOM NAVIG	ARRET←→CT A CT←→BAS GCH←→BAS DRT←→HT DRTE←→HT GCH				OUI	NON	Fr-36
	GEL IMAGE	ARRET←→CT A CT1←→CT A CT2←→BAS GCH←→BAS DRT←→HT DRTE←→HT GCH				OUI	NON	Fr-37
	SEAMLESS SW	ARRET				OUI	NON	Fr-37
				MARCHE	SÉLECT1/SÉLECT2	OUI	NON	Fr-37
	AFFICH. TEXT	ARRET / BAS-1 / BAS-2 / BAS-3 / 1/2 INF. / 1/2 SUP. / HT-3 / HT-2 / HT-1 / GAUCHE / DROITE				OUI	NON	Fr-38
		ENTREE/DETECTION/TRSPARENCE/AFFICHAGE			OUI	NON	Fr-38	
MENU PRINCIPAL	SOUS-MENU	SOUS-MENU 2	SOUS-MENU 3	SOUS-MENU 4	RÉINITIALISATION	ANGLE OSM "V"	REFERENCE	
OSM AVANCÉ	ARRET←→MARCHE				OUI	NON	Fr-38	
LANGAGE	ENGLISH/DEUTSCH/FRANÇAIS/ESPAÑOL/ITALIANO/SVENSKA/РУССКИЙ/PORTUGUÉS				NON	NON	Fr-38	
TV SYSTÈMES	AUTO/3.58 NTSC/4.43 NTSC/PAL/PAL 60/PAL-N/PAL-M/SECAM				NON	OUI	Fr-39	
SIGNAL INFORMATION	—				—	OUI	Fr-39	

\*1 Uniquement lorsque RÉGLAGE AUTO est désactivé.

\*2 RGB uniquement.

\*3 "TAILLE IMAGE" et "REELLE" ne s'appliquent qu'aux écrans de type 50 et 60 pouces.

\*4 "TON BAS" ne s'applique qu'aux écrans de type 50 pouces.

## Informations

### ■ Restauration des réglages par défaut (réglage d'usine)

Sélectionner "ALL RESET" sous le menu de OPTION1. Noter que cette action restaure tous les réglages d'usine par défaut.

# Dépannage

Si l'image est de qualité médiocre ou s'il existe un autre problème, vérifier les réglages, le fonctionnement, etc., avant d'appeler le service après-vente.

Symptôme	Vérification	Solution
L'appareil émet un bruit de craquement.	• L'image et le son sont-ils normaux ?	• S'il n'y a pas d'anomalie dans l'image et le son ; le bruit est causé par le boîtier réagissant à des changements de température. Ceci n'affectera pas le bon fonctionnement de l'appareil.
L'image est déformée. Le son est bruyant. La télécommande fonctionne de façon erronée.	• Le composant connecté est-il placé directement devant ou à côté de l'affichage ?	• Laisser un certain espace entre l'affichage et les composants connectés.
La télécommande ne fonctionne pas.	• Est-ce que les piles de la télécommande sont usagées ?	• Remplacer les deux piles par des neuves.
	• Est-ce que la fonction IR REMOTE est réglée sur MARCHE ?	• Régler IR REMOTE sur ARRET dans le menu OPTION3.
	• Est-ce que'un numéro d'ID a été assigné à l'unité principale ?	• Assigner un numéro d'ID à l'aide de la touche ID SELECT ou régler le numéro d'ID sur ALL.
Le moniteur ne s'allume pas lorsque l'on appuie sur la touche marche de la télé-commande.	• Est-ce que le moniteur est raccordé au secteur ?	• Brancher le câble d'alimentation au secteur.
	• Est-ce que les lampes témoins sont éteintes ?	• Appuyer sur la touche d'alimentation du moniteur pour l'allumer.
	• Est-ce que les piles de la télécommande sont usagées ?	• Remplacer les deux piles par des neuves.
	• Est-ce que la fonction IR REMOTE est réglée sur ARRET ?	• Régler IR REMOTE sur MARCHE dans le menu OPTION3.
	• Est-ce que'un numéro d'ID a été assigné à l'unité principale ?	• Assigner un numéro d'ID à l'aide de la touche ID SELECT ou régler le numéro d'ID sur ALL.
Le moniteur ne fonctionne pas lorsque l'on appuie sur les touches de la télécommande.	• Est-ce que la télécommande est dirigée vers le moniteur ou y a-t-il un obstacle entre la télécommande et le moniteur ?	• Diriger la télécommande vers le capteur du moniteur en appuyant sur la touche ou retirer l'obstacle.
	• Est-ce que le soleil ou une forte lumière éclaire le capteur de la télécommande du moniteur ?	• Éliminer la source de lumière en tirant les rideaux ou en dirigeant la lumière dans une direction différente.
	• Est-ce que les piles de la télécommande sont usagées ?	• Brancher le câble d'alimentation au secteur.
	• Le câble de commande est connecté dans la borne REMOTE IN (commande par câble).	• Débrancher le câble de commande du moniteur.
Les boutons du panneau avant de l'appareil principal ne fonctionnent pas.	• Les boutons du panneau avant ne fonctionnent pas lorsque le mode de verrouillage des commandes est activé.	• Régler le VERROUILLAGE sur ARRET.
Le moniteur ne produit aucun son ou image.	• Est-ce que le moniteur est raccordé au secteur ?	• Remplacer les deux piles par des neuves.
L'image est présente mais il n'y a pas de son.	• Est-ce que le volume est réglé sur le minimum ?	• Augmenter le volume.
	• Est-ce que le volume est en sourdine ?	• Appuyer sur la touche sourdine de la télécommande.
	• Est-ce que les haut-parleurs sont raccordés correctement ?	• Raccorder les haut-parleurs correctement.
Image de qualité médiocre avec une entrée de signal VIDEO.	• L'entrée AUDIO INPUT est-elle effectuée correctement ?	• Régler correctement AUDIO INPUT dans le menu AUDIO.
	• Réglage des commandes inadaptes. Interférence localisée. Interconnexions des câbles. L'impédance en entrée n'est pas à un niveau correct.	• Ajuster les commandes de l'image est nécessaire. Essayer un autre emplacement pour le moniteur. S'assurer que tous les raccordements sont sûrs.
Image de qualité médiocre avec une entrée de signal RGB.	• Réglage des commandes inadaptes. Connexion incorrecte sur connecteur à 15 broches.	• Ajuster les commandes de l'image comme nécessaire. Vérifier l'assignement des broches et les connexions.
La teinte n'est pas correcte et les couleurs sont faibles.	• Est-ce que la teinte et la couleur sont réglées correctement ?	• Régler la teinte et la couleur (Menu "IMAGE").
Rien n'apparaît à l'écran.	• Est-ce que l'ordinateur est en marche ?	• Mettre l'ordinateur en marche .
	• Est-ce qu'une source est connectée ?	• Connecter une source au moniteur.
	• Est-ce que la gestion d'énergie est en veille ou sur arrêt ?	• Activer l'ordinateur (déplacer la souris, etc.).
	• Est-ce le MODE BOUCLE est réglé sur MARCHE ?	• Régler le MODE BOUCLE sur ARRET.
Une partie de l'image n'est pas visible ou l'image n'est pas centrée.	• Est-ce que le réglage de l'emplacement de l'image a été effectué ?	• Ajuster "REGLAGE IMAGE" correctement.
L'image est trop large ou trop petite.	• Est-ce que les réglages de dimension d'écrans ont été effectués ?	• Appuyer sur la touche "WIDE" (écran large) de la télécommande et régler cor-rectement les dimensions.
L'image est instable.	• Est-ce que la résolution d'affichage est correcte ?	• Sélectionner la résolution d'affichage correcte.
L'indicateur ALLUME/VEILLE est (POWER/STANDBY) s'allume en rouge.	• Les signaux de synchronisation horizontale et/ou verticale ne sont pas présents lorsque le mode de gestion de l'énergie est activé.	• Vérifier le signal en entrée.
L'indicateur ALLUME/VEILLE (POWER/STANDBY) clignote en et rouge.	• La température à l'intérieur de l'appareil principal est devenue trop élevée et cela a enclenché la sécurité de protection.	• Eteindre rapidement l'appareil principal et attendre que la température interne se soit abaissée. Voir *1.
Le témoin ALIMENTATION/ ATTENTE clignote en vert et en rouge, ou vert.	—	• Eteindre rapidement l'appareil principal. Voir *2.

\*1 Protection anti-surchauffe

Si la température du moniteur devient excessive, la protection contre les surchauffes entrera en action et coupera l'alimentation. Dans ce cas, éteindre l'appareil et débrancher le câble d'alimentation. Si la température de la pièce dans laquelle le moniteur est installé est particulièrement excessive, déplacer l'appareil dans un endroit plus frais et le laisser refroidir 60 minutes. Si le problème persiste, prendre contact avec votre revendeur.

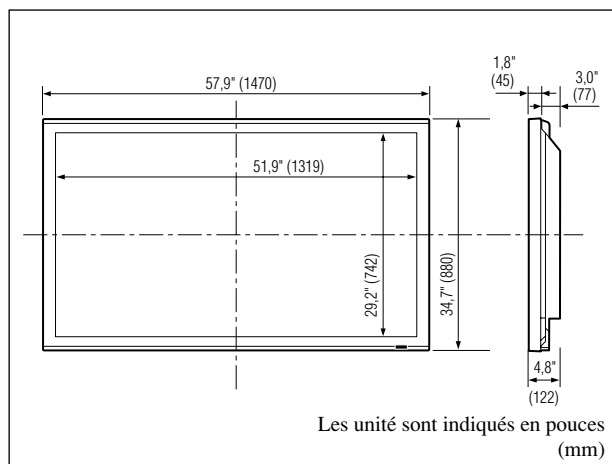
\*2 Dans le cas suivant, éteindre immédiatement le moniteur et contacter un revendeur ou un centre agréé.

Le moniteur s'éteint 5 secondes après avoir été allumé et ensuite l'indicateur POWER/STANDBY clignote. Cela signifie que le circuit d'alimentation électrique, la dalle d'affichage à plasma, le capteur de température ou un ventilateur au moins sont défectueux.



# Caractéristiques

<b>Dimensions de l'écran</b>	51,9 pouces(H) × 29,2 pouces(V) 1319 mm(H) × 742 mm(V) 60 pouces de diagonale
<b>Rapport largeur/hauteur</b>	16 / 9
<b>Résolution</b>	1365 pixels(H) × 768 pixels(V)
<b>Pixel Pitch</b>	0,038 pouces(H) × 0,038 pouces(V) 0,97 mm(H) × 0,97 mm(V)
<b>Signaux</b>	
Gamme de synchronisation	Horizontal : de 15,5 kHz à 110,0 kHz (Automatique : scanner par incréments) Vertical : de 50,0 Hz à 120,0 Hz (Automatique : scanner par incréments)
Signaux d'entrée	RGB, NTSC (3,58/4,43), PAL (B,G,M,N), PAL60, SECAM, HD*1, DVD*1, DTV*1
<b>Bornes d'entrées</b> (VIDÉO1 et RGB1 peuvent également servir de bornes de SORTIE)	
<b>RGB</b>	
Visuelle1 (Analog)	Connecteur Mini sub D à 15 broches × 1
Visuelle2 (Analog)	Connecteur BNC (R, G, B, HD, VD) × 1*2
Visuelle3 (numérique)	Connecteur DVI-D à 24 broches × 1*3
<b>Vidéo</b>	
Visuelle 1	Connecteur BNC × 1
Visuelle 2	Connecteur RCA × 1
Visuelle 3	S-Vidéo : Connecteur DIN à 4 broches × 1
<b>DVD/HD</b>	
Visuelle 1	Connecteur RCA (Y, Cb/Pb, Cr/Pr) × 1*1
Visuelle 2	Connecteur BNC (Y, Cb/Pb, Cr/Pr) × 1*1,*2
Visuelle 3	Connecteur DVI-D à 24 broches × 1*3
<b>Audio</b>	Connecteur RCA Stéréo × 3 (sélectionnable)
<b>Commande externe</b>	Connecteur D-sub à 9 broches (RS-232C)
<b>Entrée télécommande</b>	Mini-jack × 1
<b>Sortie télécommande</b>	Mini-jack × 1
<b>Sortie son</b>	9 W+9 W à 6 Ohm
<b>Alimentation</b>	CA100 V à 240 V 50 Hz/60 Hz
<b>Ampérage nominal</b>	7,0 A (maximum)
<b>Consommation de l'alimentation</b>	440 W (habituel)
<b>Dimensions</b>	57,9 pouces(L) × 34,7 pouces(H) × 4,8 pouces(P) 1470 mm(L) × 880 mm(H) × 122 mm(P)
<b>Poids</b>	135,6 lbs / 61,5 kg (sans support)
<b>Contexte d'utilisation</b>	
Température d'utilisation	0 °C à 40 °C / 32 °F à 104 °F
Humidité	20 % à 80 % (sans condensation)
Température de stockage	-10 °C à 50 °C / 14 °F à 122 °F
Humidité	10 % à 90 % (sans condensation)
<b>Autres caractéristiques</b>	Convertisseur de lecture 3D à compensation de mouvement (NTSC, PAL, 480I, 576I, 525I, 625I, 1035I, 1080I), Convertisseur d'appel 2-3 (NTSC, 480I, 525I, 1035I, 1080I (60 Hz)), Convertisseur d'appel 2-2 (PAL, 576I, 625I, NTSC, 480I, 525I), Zoom numérique (réglable 100 % à 900 %), Mur d'image de 4 à 25 écrans multiples, Autodiagnostic via RS232C, Mode Longue Durée (PLE/ROTATION PIX/INVERSION/BLANC/SCREEN WIPER/FOCUS LEGER, etc.), Verrouillage des commandes (sauf alimentation électrique, etc.), Saut d'entrée, Ton couleurs, Minuterie programmable, Interface mise en boucle, Plug and Play (DDC1, DDC2b, RGB3: DDC2b uniquement), Découpe d'image avancée, Ensemble protocole, etc.
<b>Accessoires</b>	Cordon d'alimentation (×1), Télécommande (×1), Piles AAA (×2), Manuels (Guide rapide et CD-ROM), Âmes en ferrite pour cordon d'alimentation (×2), Colliers pour cordon d'alimentation (×2), Serre-câbles (×3), Colliers à perles (×3), Âme en ferrite pour câble télécommande (×2).
<b>Réglementations</b>	UL 60950-1, CAN/CSA-C22.2 No.60950-1-03, FCC classe B, ICES-003 classe B



Les caractéristiques techniques et spécifications peuvent faire l'objet de modifications sans préavis.

**\*1 Entrée de signaux HD/DVD/DTV compatibles sur ce système.**

480P (60 Hz)	480I (60 Hz)	525P (60 Hz)
525I (60 Hz)	576P (50 Hz)	576I (50 Hz)
625P (50 Hz)	625I (50 Hz)	720P (60 Hz)
720P (50 Hz)	1035I (60 Hz)	1080I (50 Hz)
1080I (60 Hz)	1080P (50 Hz)	1080P (60 Hz)

**\*2 Les connecteurs 5-BNC servent pour les entrées RGB2 et DVD/HD2. Choisir une entrée sous "SELECT BNC".**

**\*3 Compatible avec HDCP.**

**Signaux supportés**

- 640 × 480P @ 59,94/60 Hz
- 720 × 480P @ 59,94/60 Hz
- 720 × 576P @ 50 Hz
- 1280 × 720P @ 59,94/60 Hz
- 1280 × 720P @ 50 Hz
- 1920 × 1080P @ 59,94/60 Hz
- 1920 × 1080P @ 50 Hz
- 1440 (720) × 480I @ 59,94/60 Hz
- 1440 (720) × 576I @ 50 Hz
- 1920 × 1080I @ 59,94/60 Hz
- 1920 × 1080I @ 50 Hz

**Remarque :** Dans certains cas, un signal sur le moniteur plasma peut ne pas être affiché correctement. Le problème peut être un manque de cohérence avec la norme de l'équipement source (DVD, Boîtier décodeur, etc.). Si vous rencontrez un tel problème, veuillez contacter NEC Corporation of America ainsi que le fabricant de l'équipement source.

# Garantie limitée Moniteurs Plasma

NEC Corporation of America garantit que ce produit est exempt de tout défaut de matériau et d'assemblage sous les termes suivants et, dans les conditions établies ci-dessous, accepte de réparer ou remplacer (au choix de NEC Corporation of America) toute pièce interne de l'appareil qui s'avère défectueuse. Les pièces ou produits de rechange peuvent être neufs ou remis en état et auront les mêmes caractéristiques techniques que les pièces ou produits d'origine.

## COMBIEN DE TEMPS DURE LA GARANTIE ?

Les pièces et la main d'œuvre sont garantis pendant (1) un an à compter de la date de premier achat.

## A QUI BENEFICIE-T-ELLE ?

Seule l'acheteur initial peut profiter de la garantie.

## CE QUE LA GARANTIE COUVRE ET CE QU'ELLE NE COUVRE PAS

Sauf indication contraire ci-dessous, la garantie couvre tous les défauts de matériau ou d'assemblage de ce produit. Ce qui suit n'est pas couvert par la garantie :

1. Tout produit qui n'est pas distribué aux U.S.A. ou au Canada par NEC Corporation of America ou qui n'est pas acheté aux U.S.A. ou au Canada par un distributeur agréé NEC Corporation of America.
2. Tout produit dont le numéro de série a été effacé, modifié ou retiré.
3. Les dommages, détériorations ou dysfonctionnements résultants de :
  - a. Accident, mauvaise utilisation, abus, négligence, feu, eau, éclairs ou autres actes de la nature, modification non-autorisée du produit ou non-respect des instructions fournies avec le produit.
  - b. Réparation ou tentative de réparation par toute personne non agréée par NEC Corporation of America.
  - c. Toute expédition du produit (les réclamations doivent être présentées au transporteur).
  - d. Retrait ou installation du produit.
  - e. Toute autre cause qui n'est pas liée à un défaut du produit.
  - f. Brûlures ou images résiduelles sur le phosphore du panneau.
4. Cartons, mallettes de transport, batteries, boîtiers externes, bandes magnétiques ou tout accessoire utilisé en association avec le produit.
5. Réparations en dehors des U.S.A. ou du Canada.

## CE QUE NOUS PAIERONS ET CE QUE NOUS NE PAIERONS PAS

Nous paierons les coûts de main d'œuvre et de matériel pour les éléments couverts par la garantie, mais nous ne paierons pas pour ce qui suit :

1. Frais de retrait et d'installation.
2. Coûts des réglages techniques initiaux (configuration), y-compris le réglage des commandes utilisateur. Ces coûts relèvent de la responsabilité du revendeur NEC Corporation of America auquel le produit a été acheté.
3. Frais d'envoi.

## COMMENT OBTENIR LE SERVICE DE GARANTIE

1. Pour obtenir le service de garantie, consultez le revendeur auquel vous avez acheté le produit.
2. A chaque fois qu'une réparation est nécessaire, la facture datée originale (ou une copie) doit être présentée comme preuve de la garantie.  
Veuillez également inclure à tout envoi votre nom, adresse et une description du (des) problème(s).
3. Pour connaître le nom du centre de service agréé NEC Corporation of America le plus proche, appeler NEC Corporation of America au 800-836-0655.

## LIMITATIONS DE RESPONSABILITE

A l'exception des obligations spécifiquement établies dans cette déclaration de garantie, nous ne serons pas responsables de tout dommage direct, indirect, spécial, accessoire, immatériel, ou de tout autre type de dommages, qu'ils soient basés sur un contrat, une action délictuelle ou toute autre théorie légale, et ceci que nous ayons été informés de la possibilité de tels dommages ou non. Cette garantie se substitue à toute autre garantie explicite ou implicite, y-compris mais sans limiter, aux garanties implicites de qualité marchande ou de compatibilité avec un usage particulier.

## EXCLUSION DE DOMMAGES

La responsabilité de NEC Corporation of America pour tout produit défectueux est limitée à la réparation ou au remplacement du produit, selon notre choix. NEC Corporation of America ne saurait être responsable de :

1. Dommage causé à d'autres biens résultants de défauts de ce produit, dommages de nuisance, perte de l'utilisation de ce produit, perte de temps, pertes commerciale ; ou
2. Tout autre dommage, qu'il soit accessoire, immatériel ou autre. Certains Etats ne permettent pas la limitation de durée d'une garantie implicite et/ou ne permettent pas l'exclusion ou la limitation des dommages accessoires ou immatériels, de sorte que les limitations et exclusions peuvent ne pas s'appliquer dans votre cas.

## RELATIONS ENTRE LA LEGISLATION LOCALE ET LA GARANTIE

Cette garantie vous donne des droits légaux spécifiques, et vous pouvez avoir également d'autres droits qui varient d'un Etat à l'autre.

## POUR PLUS D'INFORMATION

TELEPHONE 800-836-0655  
NEC CORPORATION OF AMERICA  
1250 N. Arlington Heights Road, Suite 400  
Itasca, Illinois 60143-1248

**Remarque:** Il est *NECESSAIRE* d'obtenir une autorisation avant de retourner tout produit à NEC Corporation of America pour réparations. Pour obtenir cette autorisation, appeler NEC Corporation of America au 800-836-0655.

# Guía de inicio

## (Modelo con función multi pantalla)

Para el funcionamiento de su monitor de plasma, consulte el CD-ROM.

## Índice

<b>Información importante .....</b>	<b>Sp-2</b>
<b>Instalación .....</b>	<b>Sp-4</b>
Necesidades de ventilación en el caso de montaje en un sitio cerrado .....	Sp-4
Creación de una video wall (videopared) .....	Sp-5
Sujeción de los cables .....	Sp-5
Precauciones a tomar al instalar el monitor de plasma verticalmente .....	Sp-6
Cómo emplear el mando a distancia .....	Sp-6
Instalación y cambio de pilas .....	Sp-6
Utilización del modo de mando a distancia con conexión de cable .....	Sp-6
Radio de acción .....	Sp-6
<b>Nombres y funciones de las partes .....</b>	<b>Sp-7</b>
Vista Frontal .....	Sp-7
Vista Posterior/Placa de terminales .....	Sp-8
Mando a distancia .....	Sp-9
<b>Operaciones básicas .....</b>	<b>Sp-10</b>
POWER (alimentación) .....	Sp-10
Para encender y apagar la unidad (ON/OFF): .....	Sp-10
VOLUME (volumen) .....	Sp-10
Para ajustar el nivel del sonido: .....	Sp-10
MUTE (silenciamiento) .....	Sp-10
Para desactivar el sonido: .....	Sp-10
DISPLAY (pantalla de visualización) .....	Sp-10
Para comprobar los ajustes: .....	Sp-10
DIGITAL ZOOM (zoom digital) .....	Sp-10
AUTO ADJUST (ajuste automático) .....	Sp-10
Para ajustar automáticamente el tamaño o la calidad de la imagen: .....	Sp-10
OFF TIMER (temporizador de desconexión) .....	Sp-10
Para ajustar el temporizador de desconexión: .....	Sp-10
Para comprobar el tiempo que queda: .....	Sp-10
Cancelación del temporizador de desconexión: .....	Sp-10
<b>Controles OSM (en pantalla) .....</b>	<b>Sp-11</b>
Funciones de Menú .....	Sp-11
Árbol del Menú .....	Sp-12
<b>Solución de Problemas .....</b>	<b>Sp-14</b>
<b>Especificaciones .....</b>	<b>Sp-15</b>
<b>Garantía limitada Monitores de plasma .....</b>	<b>Sp-16</b>

## Manual del usuario en CD-ROM

● El manual del usuario completo se suministra en el CD-ROM en PDF (Portable Document Format) y proporciona información detallada del producto y del uso para su monitor de plasma NEC.

Es necesario tener el programa Adobe Acrobat Reader™ o Adobe Reader™ con el fin de poder visualizar o imprimir los archivos PDF.

**NOTA:** Es posible descargar los programas Adobe Acrobat Reader o Adobe Reader del sitio web de Adobe.

Visite <http://www.adobe.com> y descargue la versión actual para sus SO.

- Visualización del manual del usuario (PDF)
- [Windows]
1. Inserte el CD-ROM suministrado en la unidad de CD-ROM de su ordenador.
  2. Debería aparecer un menú automáticamente.  
Si no sucede esto:
    - 1) En la sobremesa de Windows, haga doble clic en el icono [My Computer].
    - 2) Haga doble clic en la letra de la unidad de CD-ROM de [NECPLASMA-UM].
    - 3) Haga doble clic en "start\_menu.pdf".
  3. Haga clic en el nombre de su producto.  
El manual del usuario aparecerá en la pantalla.
- [Macintosh]
1. Inserte el CD-ROM suministrado en la unidad de CD-ROM de su ordenador Macintosh.
  2. Haga doble clic en el icono del CD-ROM [NECPLASMA-UM].
  3. Haga doble clic en "start\_menu.pdf".  
Se visualizará el menú de Start.
  4. Haga clic en el nombre de su producto.  
El manual del usuario aparecerá en la pantalla.
- Copiado del manual del usuario (PDF) a su ordenador
- Es posible copiar el manual del usuario suministrado en el CD-ROM en el disco duro de su ordenador.

### Contenido del embalaje

- Monitor de plasma (×1)
- Cable de alimentación (×1, 3 m)
- Mando a distancia (×1)
- Pilas tamaño AAA (×2, batería de manganeso para el mando a distancia)
- Manuales (Guía de inicio y CD-ROM)
- Núcleos de ferrita para cable de alimentación (×2), bandas para cable de alimentación (×2)
- Núcleo de ferrita para el cable remoto (×2)
- Abrazaderas de cable (×3), bandas de cuentas (×3)

### Accesorios opcionales



- Unidad de montaje para pared
- Unidad de montaje para techos
- Unidad de montaje inclinado
- Soporte para mesa
- Altavoces externos

ESPAÑOL

# Información importante

## Precauciones

Rogamos que lea este manual atentamente antes de utilizar el Monitor de Plasma y que lo guarde en un lugar seguro para futuras consultas.

**PRECAUTION**  
**RIESGO DE DESCARGA ELÉCTRICA NO ABRIR**

**PRECAUCIÓN:**  
CON EL OBJETO DE DISMINUIR EL RIESGO DE DESCARGAS ELÉCTRICAS, ROGAMOS NO QUITAR LA TAPA.  
DENTRO DE LA UNIDAD NO HAY PIEZAS QUE PUEDAN SER REPARADAS POR EL USUARIO. REMITIR LA ASISTENCIA TÉCNICA SÓLO A PERSONAL TÉCNICO CUALIFICADO.  
Este símbolo advierte al usuario que la tensión sin aislar dentro de la unidad puede ser lo suficientemente alta como para producir descargas eléctricas. Por lo tanto, es peligroso cualquier tipo de contacto con las piezas que se encuentran dentro de la unidad.  
Este símbolo advierte al usuario de la inclusión de literatura importante concerniente al funcionamiento y mantenimiento de la unidad. Por lo tanto, debe leerse atentamente con el objeto de evitar cualquier tipo de problemas.

**ADVERTENCIA**

PARA EVITAR INCENDIOS Y PELIGROS DE DESCARGA ELÉCTRICA, NO SE DEBE EXPONER LA UNIDAD A LA LLUVIA NI LA HUMEDAD. ADEMÁS, NO DEBE UTILIZARSE LA TOMA POLARIZADA DE ALIMENTACIÓN DE LA UNIDAD CON CABLES ALARGADORES U OTRAS TOMAS, A MENOS QUE LAS PUNTAS DE LOS ENCHUFES PUEDAN INTRODUCIRSE A FONDO. ABSTENERSE DE ABRIR EL APARATO YA QUE HAY COMPONENTES DE ALTA TENSIÓN DENTRO DE ÉL. REMITIR LA ASISTENCIA TÉCNICA A PERSONAL DE SERVICIO TÉCNICO CUALIFICADO.

## Advertencias y Precauciones de Seguridad

Este monitor de plasma ha sido diseñado y fabricado con la idea de un servicio largo en el tiempo y libre de problemas de asistencia técnica. Consulte la sección "Procedimiento de limpieza del monitor de plasma". El panel de visualización de plasma consiste en elementos de una imagen fina (células). Con más de un 99,99 por ciento de células activas. Puede que algunas células no produzcan luz o no se mantengan encendidas.

Para que el funcionamiento sea seguro y también, para evitar daños a la unidad, rogamos leer y observar atentamente las siguientes instrucciones. Para evitar riesgos de golpes e incendios:

1. Disponer de un adecuado espacio para la ventilación y así evitar acumulaciones de calor interno. No cubra las rejillas de ventilación posteriores ni instale la unidad en un mueble o en baldas cerradas. Si instala la unidad en un mueble o en un estante, asegúrese de que haya un espacio adecuado en la parte superior de la misma para que el calor pueda elevarse y disiparse. Si el monitor se calienta demasiado, se activará el protector contra recalentamiento y el monitor se apagará. Si ocurriera esto, desconecte la alimentación del monitor y desenchufe el cable de alimentación. Si la habitación donde está instalado el monitor es particularmente cálida, traslade el monitor a un sitio más fresco y espere 60 minutos a que se enfríe. Si persiste el problema, póngase en contacto con el distribuidor.
2. No utilice el enchufe polarizado de esta unidad con cables o tomas de alargadores, a menos que las puntas del conector puedan insertarse a fondo.
3. No exponga la unidad al agua o a la humedad.
4. Evite daños al cable de alimentación, y no intente modificar el mismo.
5. Desenchufe el cable de alimentación durante el transcurso de tormentas eléctricas o si no se va a utilizar la unidad durante un periodo de tiempo prolongado.
6. No abra el aparato ya que contiene componentes de alta tensión que son potencialmente peligrosos. Si la unidad resulta dañada por esta causa, la garantía quedará anulada inmediatamente. Además existe el grave riesgo de descarga eléctrica.
7. No intente ningún mantenimiento técnico ni reparación de la unidad. El fabricante no se hace responsable de ninguna lesión o daño corporal ocasionado por personas no calificadas que intenten reparar el aparato o abrir la tapa posterior. Remitir cualquier asistencia técnica necesaria a los Centros de Servicio Técnico autorizados.
8. Este equipo debe conectarse a la toma de corriente general (MAIN) con una conexión con protección a tierra.

9. La toma de corriente debe estar instalada cerca del equipo y debe ser de fácil acceso.

Para evitar daños y prolongar la vida útil del aparato observe los siguientes consejos:

1. Utilice sólo alimentación eléctrica de 100 V a 240 V 50 Hz/60 Hz c.a. El funcionamiento continuado en líneas de tensión de más de 100 V a 240 V acortará la vida útil de la unidad, y podría ser causa de riesgos de incendios.
2. Manipule la unidad con cuidado al instalarla y evite que se caiga.
3. Sitúe el aparato alejado de fuentes de calor, del polvo, y de la luz solar directa.
4. Proteja la parte interior de la unidad contra líquidos y pequeños objetos metálicos. En caso de accidente, desenchufe el cable de alimentación y lleve la unidad a un Centro de Servicio Autorizado.
5. Evite que se produzcan golpes y arañazos en la superficie del panel ya que esto estropeará la superficie de la pantalla.
6. Para una instalación y montaje correctos, se recomienda encarecidamente tratar con un distribuidor autorizado.
7. Como todas las pantallas de visualización que se basan en fósforo (como por ejemplo, el monitor CRT) la emisión de luz emitida por el panel de visualización de plasma se perderá gradualmente durante su uso normal.
8. Para evitar la sulfatación se recomienda encarecidamente no colocar la unidad en los vestuarios de baños públicos ni baños termales.
9. No utilice la unidad en un vehículo en movimiento, debido a que esta se puede caer o volcarse y causar lesiones.
10. No coloque la unidad sobre su costado, boca abajo o con la pantalla cara arriba o abajo, con el fin de evitar una posible combustión o una descarga eléctrica.
11. Para evitar el peligro de incendio, no ponga nada con fuego encendido (como pueda ser una vela) encima del aparato.

Procedimiento de limpieza del monitor de plasma:

1. Utilice un paño suave y seco para limpiar el panel delantero y el área del marco. No utilice nunca disolventes como, por ejemplo, alcohol o diluyente para limpiar estas superficies.
2. Limpie las áreas de ventilación del monitor de plasma con una aspiradora equipada con una boquilla de cepillo blando.
3. Para asegurar una ventilación apropiada, la limpieza de las áreas de ventilación deberá realizarse mensualmente. Dependiendo del lugar en que se instale el monitor de plasma tal vez sea necesario realizar la limpieza con mayor frecuencia.

Recomendaciones para evitar o minimizar las quemaduras por fósforo: Como todas las pantallas de visualización que se basan en fósforo y otros tipos de visualizaciones de plasma de gas, los monitores de plasma pueden ocasionar quemaduras por fósforo bajo ciertas condiciones. Estas condiciones de funcionamiento tales como la visualización constante de una imagen estática por un período prolongado de tiempo, pueden resultar en una quemadura por fósforo si no se toman las precauciones debidas. Para proyectar sus imágenes en este monitor de plasma, por favor observe los siguientes consejos y recomendaciones para minimizar las posibilidades de una quemadura por fósforo:

- \* Asegúrese de activar y utilizar el protector de pantalla de su ordenador cuando sea posible mientras lo usa con una fuente de entrada de ordenador.
  - \* Reproduzca una imagen en movimiento.
  - \* Cambie la posición de visualización del menú de vez en cuando.
  - \* Siempre que termine de usar el monitor desconecte la alimentación.
- Si el monitor de plasma sufre un uso prolongado o funciona de forma continuada, tome las siguientes medidas para reducir la posibilidad de una quemadura por fósforo:
- \* Baje los niveles de contraste y brillo lo más posible sin que la visualización de la imagen se vea perjudicada.
  - \* Visualice una imagen colorida con gran gradación (por ej. imágenes fotográficas o fotos realistas).
  - \* Cree un contenido de imagen de contraste mínimo entre las áreas iluminadas y las oscuras, por ejemplo con caracteres sobre un fondo negro. Utilice colores complementarios o pastel cuando sea posible.
  - \* Evite visualizar imágenes de pocos colores que posean bordes distintivos definidos entre colores.

Sonido de funcionamiento del monitor de plasma

El panel del monitor de plasma está compuesto por píxeles extremadamente finos, dichos píxeles emiten luz de acuerdo a las señales de vídeo recibidas. Este principio puede ocasionar que se escuche un zumbido o un ruido eléctrico proveniente del monitor de plasma. Tenga en cuenta también que cuando la temperatura ambiente del monitor de plasma es alta, la velocidad de rotación del motor del ventilador de refrigeración aumentará. Es posible que escuche el sonido del motor del ventilador en ese momento.

### Nota:

La garantía no cubre los siguientes elementos.

- Retención de imagen
- Sonido generado por el panel, ejemplos: Ruido del motor del ventilador, y zumbido de circuitos eléctricos/panel de vidrio.

Póngase en contacto con proveedores calificados o distribuidores autorizados para otros procedimientos recomendados que se ajustarán mejor a sus necesidades en particular.

## Advertencia

No utilizar en salas de ordenadores como se especifica en la Norma para la protección de equipos electrónicos de procesamiento de datos informáticos ANSI/NFPA 75.

Este equipo ha sido probado y se ha comprobado que cumple con los límites para un dispositivo digital de clase B, de acuerdo con la Parte 15 de las Reglas de FCC. Esos límites están concebidos para proveer una protección razonable contra interferencias perjudiciales en una instalación residencial. Este equipo genera, utiliza, y puede radiar energía de frecuencia de radio y, si no se instala y se utiliza de acuerdo con las instrucciones, puede causar interferencias perjudiciales a las comunicaciones de radio. Sin embargo, no hay ninguna garantía de que no ocurrirá interferencia en una instalación particular. Si este equipo causa interferencia perjudicial a la recepción de radio o televisión, que se puede determinar mediante el encendido y apagado del equipo, se recomienda al usuario que intente corregir la interferencia a través de una o más de las medidas siguientes:

- Reoriente o reubique la antena de recepción.
- Aumente la separación entre el equipo y el receptor.
- Conecte el equipo a una toma de corriente en un circuito diferente del cual el receptor está conectado.
- Consulte su revendedor o un técnico experimentado de radio /TV para ayuda.

Este aparato digital de clase B cumple con la norma Canadiense ICES-003.

### NOTA:

Cuando utilice un cable RGB (no suministrado), utilice un cable RGB que incluya el núcleo de ferrita (no suministrado) en ambos extremos del cable. Si no hace esto, este monitor no cumplirá con los estándares del mandatorio FCC.

### NOTA:

Cuando utilice el cable de alimentación (suministrado), utilice los núcleos de ferrita suministrados. Coloque los núcleos de ferrita (suministrados) en ambos extremos del cable de alimentación (suministrado) y, a continuación, utilice las bandas (suministradas) para fijar los núcleos de ferrita (suministrados) al cable de alimentación (suministrado). Si no hace esto, este monitor no cumplirá con los estándares del mandatorio FCC.

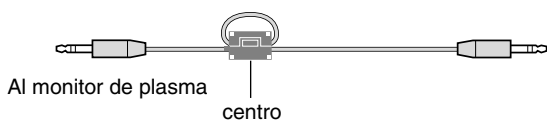
Cable de alimentación (suministrado)



### NOTA:

Cuando utilice un cable remoto (no suministrado), utilice el núcleo de ferrita suministrado. Ate el cable remoto (no suministrado) alrededor del núcleo de ferrita (suministrado) una vez, y a continuación fije la abrazadera. Si no hace esto, este monitor no cumplirá con los estándares del mandatorio FCC.

Cable remoto (no suministrado)



## ADVERTENCIA

Este producto está provisto de una clavija de tres conductores con toma de tierra (puesta a tierra) cuya tercera patilla es la de toma de tierra. Esta clavija sólo se adapta en una toma de corriente del tipo de toma de tierra. Si no puede insertar la clavija en la toma de corriente, llame a un electricista profesional para que le reemplace la toma de corriente por otra con toma de tierra que sea adecuada. No elimine el dispositivo de seguridad de la clavija con toma de tierra.

## Entorno de funcionamiento

Temperatura y humedad del entorno de funcionamiento 0 °C a +40 °C; menos del 80 % de humedad relativa (rejillas de refrigeración no obstruidas)

No instale este aparato en un lugar mal ventilado, ni en lugares expuestos a alta humedad o a la luz directa del sol (o de otra luz artificial potente).



## Cómo deshacerse del producto utilizado

La legislación de la UE puesta en práctica en cada estado miembro requiere que los productos eléctricos y electrónicos que lleven la marca (izquierda) deben deshacerse separadamente de la basura normal. Esto incluye monitores plasma y sus accesorios eléctricos. Cuando se deshaga de tales productos, siga los consejos de su autoridad local o pregunte en la tienda en la que adquirió el producto.

Después de recoger los productos utilizados, se vuelven a utilizar y a reciclar de forma adecuada. Este esfuerzo nos ayuda a reducir a un nivel mínimo los desechos, y también los impactos negativos a la salud humana y al medio ambiente.

La marca en los productos eléctricos y electrónicos se aplica sólo a los actuales estados miembros de la Unión Europea.

## ⚠ PRECAUTION

Al deshacerse de las pilas usadas, hágalo conforme a las regulaciones gubernamentales o la normativa pública de instrucciones medioambientales que se apliquen en su país/localidad.

## ⚠ PRECAUTION

Al cambiar las baterías, utilice sólo baterías alcalinas o de manganeso convencionales no recargables (2).

Existe riesgo de explosión si sustituye la batería por un tipo de batería incorrecto. Deshágase de las baterías de acuerdo con la normativa local.

# Instalación

Se pueden conectar monturas o bases opcionales al monitor de plasma en una de las dos siguientes maneras:

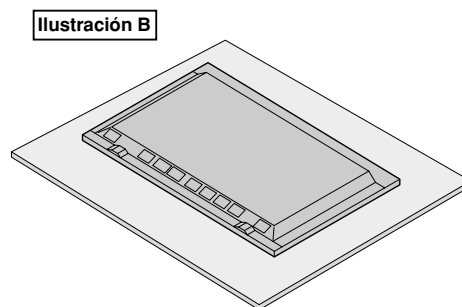
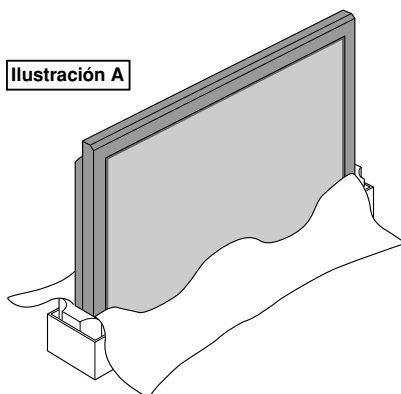
- \* Durante en se coloca de manera vertical. (Véase la ilustración A)
- \* Si se coloca con la pantalla boca abajo (Véase la ilustración B). Ponga la hoja de protección, que se colocó para cubrir el monitor durante el embalaje, debajo de la superficie de la pantalla de forma tal que ésta no resulte arañada.
- \* No toque ni sujete la pantalla cuando transporte la unidad.

- **Este dispositivo no puede ser instalado sobre sí mismo. Asegúrese de utilizar un soporte o una unidad de montaje original. (unidad de montaje para pared, estante, etc.)**
  - **Para instalar y montar correctamente este aparato, se recomienda altamente consultar a su distribuidor entrenado y autorizado.**
- Un montaje incorrecto puede causar daños al equipo o lesiones a la persona que lo instale. La garantía de este producto no cubrirá los daños causados por una instalación incorrecta.**

## PRECAUCIÓN

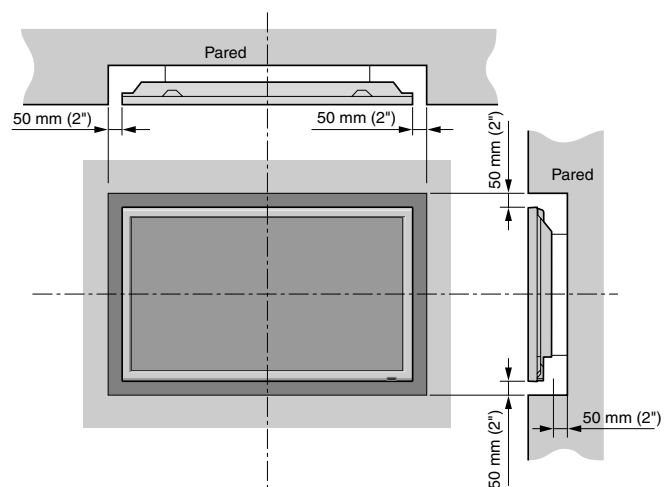
- **Instale el dispositivo siguiendo el manual de la unidad opcional.**
- **Instale el dispositivo en un lugar estable y nivelado y lo suficientemente resistente como para soportar el peso.**
- **Utilice los cierres especificados para la instalación.**
- **Tras realizar la instalación, asegúrese de tomar medidas para evitar caídas.**
- **Asegúrese de mover o instalar el dispositivo con la ayuda de otra persona.**

\* **Utilice solamente el kit de instalación o el soporte suministrado por el fabricante y listado en Opciones.**



## Necesidades de ventilación en el caso de montaje en un sitio cerrado

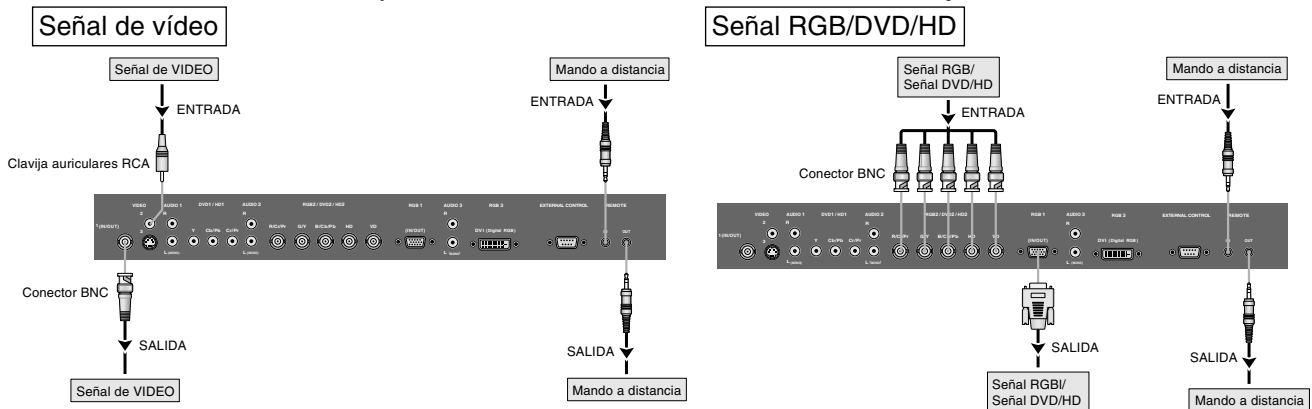
Para permitir que se disperse el calor, deje espacio entre los objetos de alrededor, tal como se muestra en el diagrama durante la instalación.



## Creación de una video wall (videopared)

Con la capacidad de visualización de matriz incorporada, usted puede crear una video wall 2×2, 3×3, 4×4, 5×5, 5×1, 1×5.

- Conecte los cables de señales y los de mando a distancia como se muestra más abajo.



### Nota:

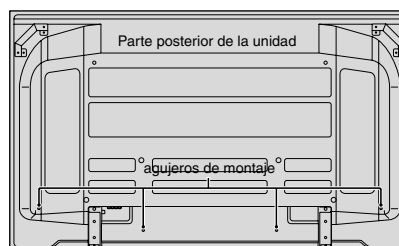
1. Los terminales VIDEO1 y RGB1 se pueden utilizar para INPUT y OUTPUT. Cuando LAZO (LOOP OUT) esté en ON, no conecte una señal OUTPUT procedente de otra unidad, porque esto podrá poner una carga extraordinaria en el otro aparato y dañarlo.
2. LAZO no se puede poner en ON mientras las señales se introducen en el terminal RGB1.
3. LAZO se puede poner en ON mientras las señales se introducen en el terminal RGB1 si POWER está en ON.

### Información

- Para dar salida a las señales de lazo a otro monitor de plasma, ponga LAZO en ON.
- Para crear una video wall, ajuste correctamente los elementos del menú VIDEO WALL.
- Para conectar monitores, utilice un cable BNC de 1 m a 2 m (3,3 pies a 6,6 pies) (cualquier cable de venta en tiendas).
- Si la calidad de la imagen es pobre, no utilice el terminal de salida del monitor. Utilice un amplificador de distribución (cualquier amplificador de distribución de venta en el comercio) para conectar las señales divididas a los respectivos terminales INPUT del monitor.
- Al ser utilizada como una función de vídeo mosaico, el estándar son como máximo 4-pantallas con una señal inferior a 1024×768, 60 Hz.
- Cuando se utilice una pantalla-3×3 y sobre video wall, se recomienda particularmente el uso de un amplificador de distribución.
- Cuando pase de plasma a plasma, se necesitará un cable de conversión D-Sub-5BNC macho de 15 pin de 1 m a 2 m.

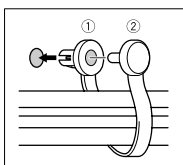
## Sujeción de los cables

Utilizando las abrazaderas de cable y bandas de cuentas proporcionadas con la pantalla de plasma, reúna los cables de señal y de audio en la parte posterior de la pantalla para conectarlos a la pantalla.

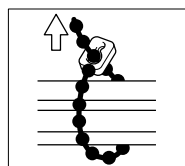


### Para colocar

Inserte ① en el agujero de montaje, presione ② en la parte posterior de ① para asegurar la abrazadera. Las abrazaderas están diseñadas para que sea difícil retirarlas una vez colocadas. Colóquelas con cuidado. La instalación de los cables se puede realizar hacia la derecha o hacia la izquierda.

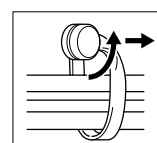


Reúna los cables separados y fíjelos con las bandas de cuentas proporcionadas. No ejerza presión excesiva en los extremos de los cables.



### Para desmontar

Utilice unos alicates para torcer la abrazadera 90° y tire de esta hacia afuera. En algunos casos, es posible que la abrazadera se deteriore con el tiempo y se dañe al desmontarla.



## Precauciones a tomar al instalar el monitor de plasma verticalmente

- Utilice la unidad opcional. Cuando vaya a realizar la instalación, póngase en contacto con el almacén donde hizo la compra.
- Coloque el monitor de tal forma que lo vea de frente, gírelo 90° en el sentido de las agujas del reloj al instalarlo.
- Después de instalarlo, verifique que la marca con el logotipo NEC se visualice en el lado frontal.
- Asegúrese de ajustar "ANGULO OSM" a "V" cuando lo utilice.
- \* Si no se cumple con las precauciones anteriores puede provocar un malfuncionamiento.

## Cómo emplear el mando a distancia

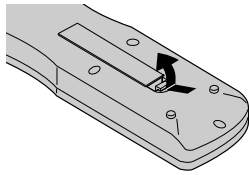
### Instalación y cambio de pilas

Pilas:

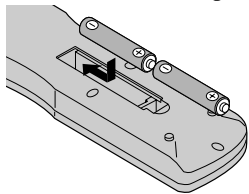
Utilice pilas de tamaño AAA (R03) o AAA (LR03).

Introduzca las 2 pilas tamaño "AAA", asegurándose de ponerlas con la polaridad correcta.

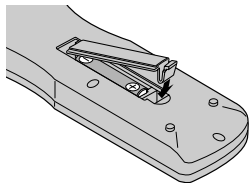
1. Presione y abra la tapa.



2. Alinee las pilas de acuerdo con las indicaciones ⊕ y ⊖ que hay en el interior del compartimento.



3. Instale la tapa.

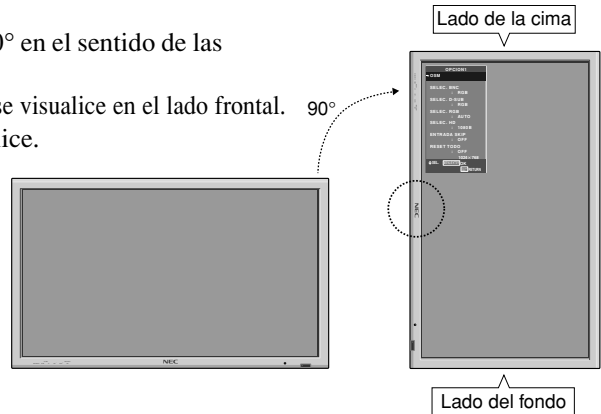
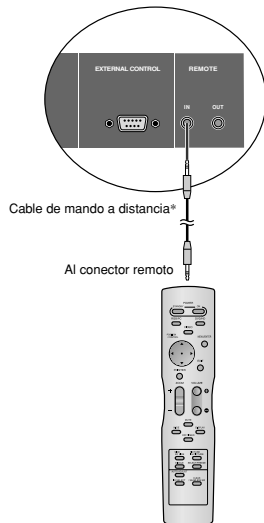


### Utilización del modo de mando a distancia con conexión de cable

Conecte el cable de mando a distancia\* al conector remoto del mando a distancia y al terminal "REMOTE IN" del monitor.

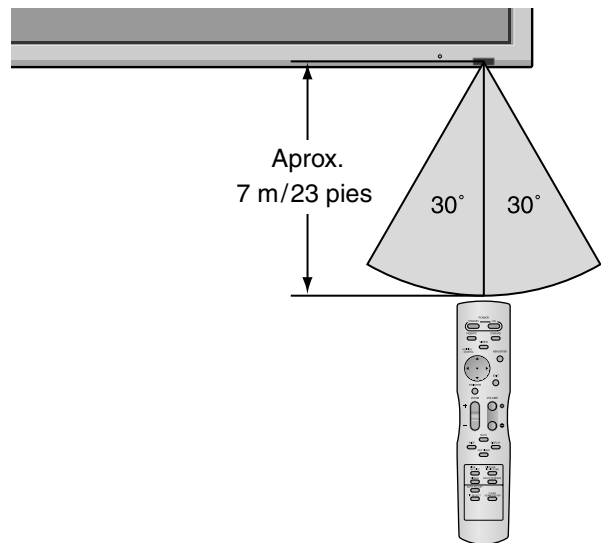
Cuando se conecta el cable, el modo cambiará automáticamente a mando a distancia con cable.

Cuando se utilice el modo de mando a distancia con cable, el mando a distancia podrá hacerse funcionar incluso aunque no tenga pilas.



### Radio de acción

- \* Use el mando a distancia a una distancia de aproximadamente 7 m/ 23 pies de la parte delantera del sensor de mando a distancia del monitor, y en ángulos horizontal y vertical de 30° aproximadamente.
- \* El funcionamiento del mando a distancia puede verse afectado si se expone el sensor de mando a distancia del monitor a la luz solar directa o a luz artificial fuerte, o si hay un obstáculo entre el sensor y el mando a distancia.



### PRECAUCIÓN

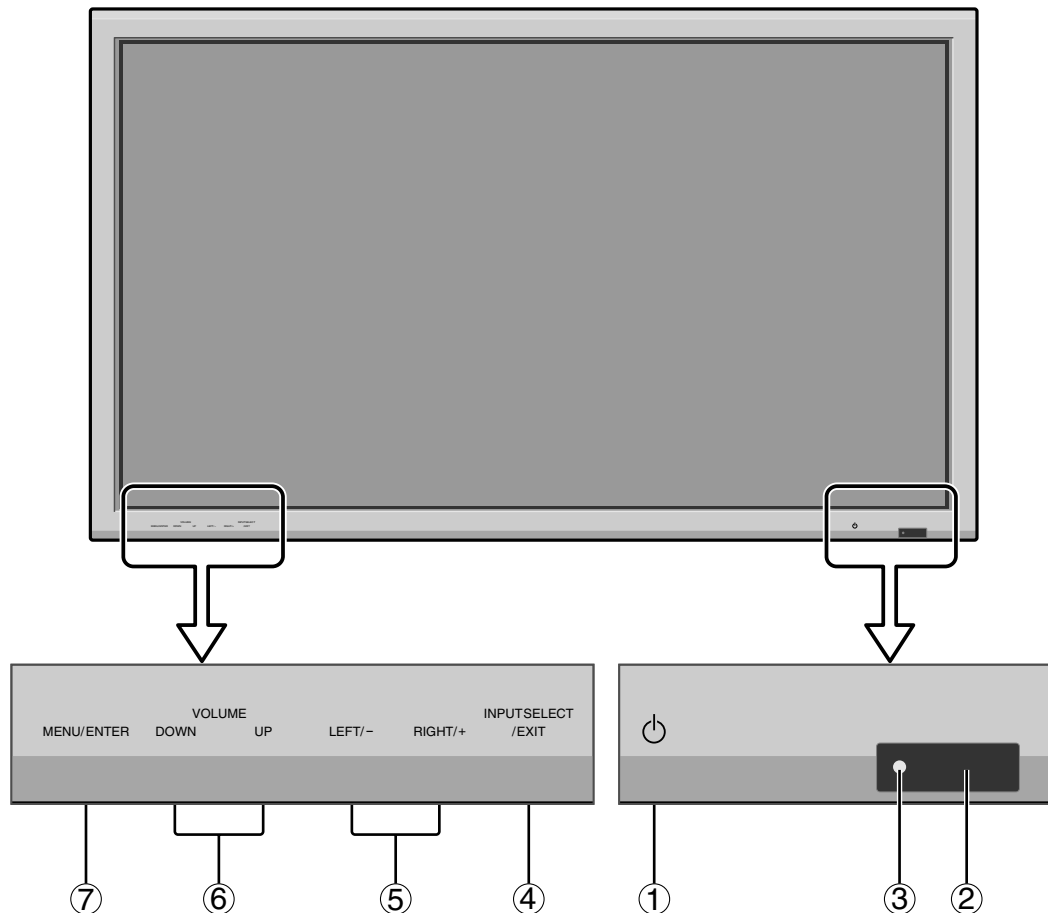
- Utilice sólo las pilas especificadas.
- Asegúrese de insertar las pilas correctamente de acuerdo con las indicaciones ⊕ y ⊖.
- Procure que el mando a distancia no se le caiga ni tampoco lo maltrate.
- No permita que el mando a distancia se moje. Si la unidad se mojara séquela inmediatamente.
- Evite el calor y la humedad.
- Cuando el mando a distancia no vaya a utilizarse durante un período de tiempo prolongado, extraiga las pilas.
- No utilice pilas gastadas mezcladas con pilas nuevas, ni tampoco mezcle pilas de distinto tipo.
- No abra las pilas, ni las caliente, ni las arroje al fuego.
- Cuando utilice el mando a distancia en el estado inalámbrico, asegúrese de desconectar el cable remoto del terminal REMOTE IN del monitor.

\* El cable mini estéreo 1/8 deberá adquirirse separadamente. Sp-6



# Nombres y funciones de las partes

## Vista Frontal

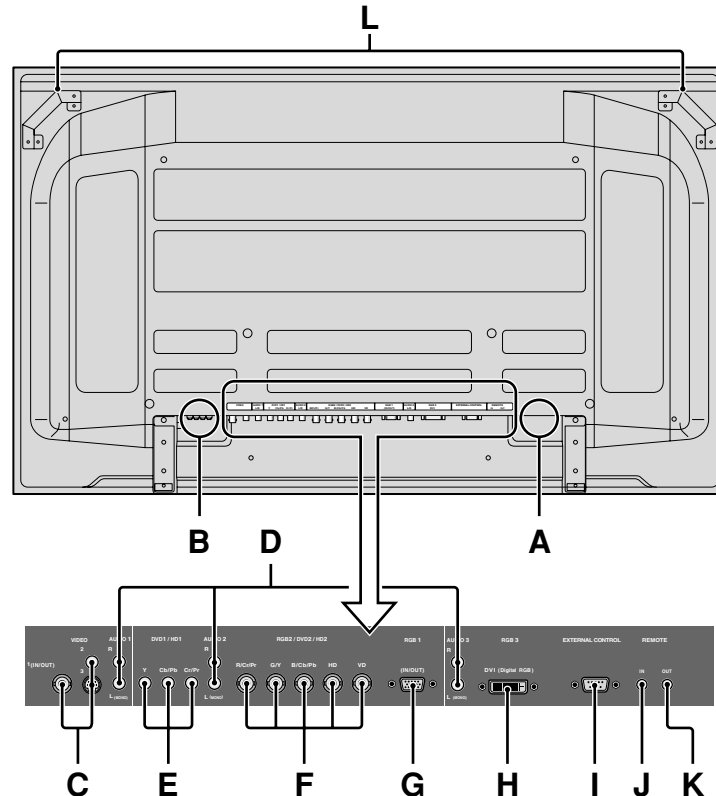


- ① **Alimentación**  
Enciende y apaga el monitor.
- ② **Ventana del sensor de mando a distancia**  
Recibe la señal proveniente del mando a distancia.
- ③ **Indicador POWER/STANDBY (alimentación/en espera)**  
Cuando la alimentación está activada ..... se ilumina verde.  
Cuando la alimentación está en el modo en espera ..... se ilumina rojo.
- ④ **INPUT SELECT / EXIT (selección de entrada/salir)**  
Cambia la entrada de datos.  
Funcionan como botones EXIT (salir) en modo de visualización en pantalla (OSM).
- ⑤ **LEFT/- y RIGHT/+ (izquierda/derecha)**  
Funciona como botones del CURSOR (◀ / ▶) y se utilizan para ajustar los parámetros de la imagen en el modo de visualización en pantalla (OSM).
- ⑥ **VOLUME (disminución y aumento de volumen)**  
Para ajustar el nivel de volumen.  
Funcionan como botones de CURSOR (▲/▼) en el modo de visualización en pantalla (OSM).
- ⑦ **MENU/ENTER**  
Activa el modo de visualización en pantalla (OSM) y muestra el menú principal.

### ADVERTENCIA

El interruptor de activación/desactivación no desconecta completamente la pantalla de plasma de la fuente de alimentación.

## Vista Posterior/Placa de terminales



### A AC IN

Aquí debe conectar el cable de alimentación incluido.

### B EXT SPEAKER L y R (altavoces externos izquierdo y derecho)

Aquí debe conectar los altavoces (opcionales). Mantenga la polaridad correcta. Conecte el cable  $\oplus$  (positivo) del altavoz al terminal  $\oplus$  EXT SPEAKER y el cable  $\ominus$  (negativo) del altavoz al terminal  $\ominus$  EXT SPEAKER para ambos canales, el izquierdo (LEFT) y el derecho (RIGHT). Consulte el manual del propietario de sus altavoces.

### C VIDEO1, 2, 3 (BNC, RCA, S-Video)

Conecte aquí videograbadoras, reproductores DVD, reproductores de discos láser, etc. VIDEO1 se puede utilizar para entrada o salida.

### D AUDIO1, AUDIO2, AUDIO3

Estos son terminales de entrada de audio. La entrada es seleccionable. En la pantalla de menú, seleccione la imagen de vídeo que desea asignarles.

### E DVD1/ HD1

Aquí debe conectar el DVD, Laser Disc de alta definición, etc.

### F RGB2 / DVD2 / HD2

RGB2: Para la entrada de la señal RGB analógica y la señal de sincronización.

DVD2/ HD2: Aquí puede conectar los DVDs, las fuentes de alta definición, laser discs, etc.

Esta entrada se puede ajustar para el uso con fuente RGB o componente.

### G RGB1 (mini D-Sub 15-pin)

Conecte aquí un señal RGB analógica procedente de un ordenador, etc. Esta entrada se puede utilizar como entrada o salida.

### H RGB3 (DVI 24 pines)

Conecte aquí una señal digital (TMDS) de una fuente con una salida DVI. Esta entrada se puede ajustar para el uso con fuente RGB3.

### I EXTERNAL CONTROL (control externo)

Este terminal se utiliza cuando el monitor se maneja y controla externamente (mediante RS-232C).

### J REMOTE IN (entrada de mando a distancia)

Conecte el cable del mando a distancia en la toma de control remoto del mando a distancia para poder utilizar el mando a distancia con cable.

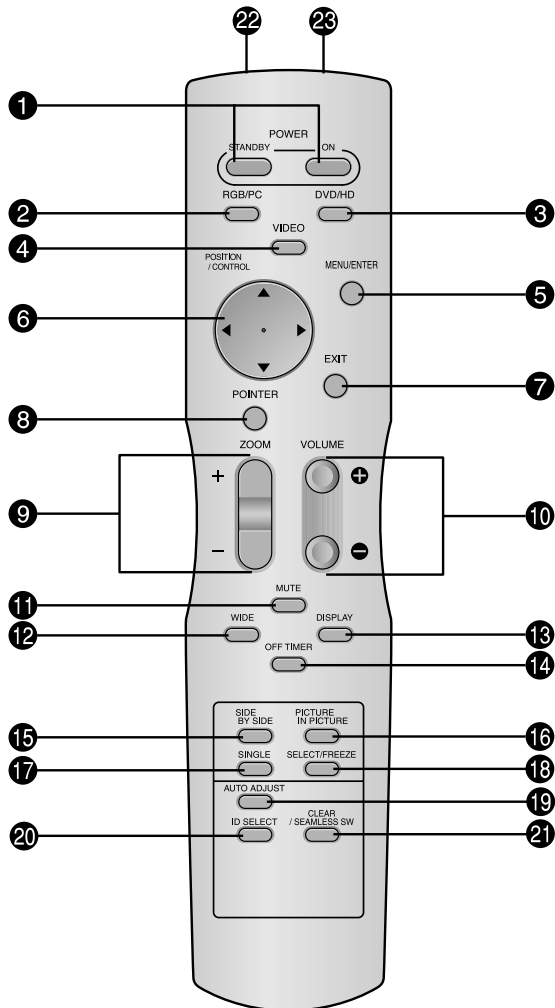
### K REMOTE OUT (salida de mando a distancia)

Conecte el cable del mando a distancia en la toma REMOTE IN de otro monitor de plasma para poder utilizar el mando a distancia con cable.

### L Asas

Utilícelas a la hora de instalar o transportar el monitor de plasma.

## Mando a distancia



### 1 POWER ON/STANDBY

Para conectar y poner en espera la alimentación. (No funciona cuando el indicador POWER/STANDBY de la unidad principal está apagado.)

### 2 RGB/PC

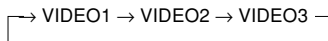
Pulse este botón para seleccionar RGB/PC como fuente. También se puede seleccionar RGB/PC por medio del botón INPUT SELECT del monitor.

### 3 DVD / HD

Pulse este botón para seleccionar DVD/HD como fuente. DVD/HD también puede seleccionarse por medio del botón INPUT SELECT del monitor.

### 4 VIDEO

Pulse este botón para seleccionar VIDEO como fuente.



También se puede seleccionar VIDEO por medio del botón INPUT SELECT del monitor.

### 5 MENU/ENTER

Pulse este botón para acceder a los controles OSM. Mientras visualiza el menú principal, pulse este botón para ir al submenú.

### 6 CURSOR (▲/▼/◀/▶)

Utilice estos botones para seleccionar ítems o ajustes, y para realizar ajustes o cambiar los patrones de visualización.

### 7 EXIT (salir)

Pulse este botón para salir de los controles OSM en el menú principal. Mientras visualiza el submenú, pulse este botón para volver a la pantalla anterior.

### 8 POINTER (apuntador)

Pulse este botón para visualizar el apuntador.

### 9 ZOOM (+ /-)

Para ampliar o reducir la imagen.

### 10 VOLUME (+ /-)

Ajusta el volumen del sonido.

### 11 MUTE (silenciamiento)

Desactiva el sonido.

### 12 WIDE (ancho de pantalla)

Pulse este botón para seleccionar y cambiar el tamaño de la pantalla.

El botón WIDE no se activa para todas las señales.

### 13 DISPLAY (visualizar)

Muestra los ajustes de la fuente en la pantalla.

### 14 OFF TIMER (temporizador de desconexión)

Activa el temporizador de desconexión automática de la unidad.

### 15 SIDE BY SIDE

Pulse este botón para visualizar un par de imágenes en el modo lado a lado.

### 16 PICTURE IN PICTURE

Pulse este botón para visualizar un par de imágenes en el modo imagen en imagen.

### 17 SINGLE

Cancela el modo multipantalla.

### 18 SELECT/FREEZE

Pulse este botón para seleccionar la imagen activa en un modo de pantalla múltiple.

Cuando esté activa la función CONGEL.IMAG., puede utilizarse este botón para mostrar imágenes fijas en la pantalla secundaria.

### 19 AUTO ADJUST

Pulse este botón para ajustar automáticamente la imagen fina, el ajuste de imagen, la posición y el contraste, o para cambiar automáticamente el tamaño de la pantalla al modo ZOOM con el texto superpuesto mostrado completamente sólo cuando la imagen contiene zonas oscuras encima y debajo de la misma.

### 20 ID SELECT (selección de identificación)

Establece el número de identificación en el mando a distancia. El mando a distancia puede luego utilizarse solamente con un monitor que tenga el mismo número de identificación. Cuando se utilicen varios monitores juntos, éstos podrán controlarse individualmente.

### 21 CLEAR (cancelar)/SEAMLESS SW

Cancela el número establecido por el botón ID SELECT.

Cuando esté activa la función CAMBIO RAPID, puede utilizarse este botón para cambiar rápidamente la fuente de entrada.

### 22 Transmisor de señales del mando a distancia

Transmite las señales del mando a distancia.

### 23 Conector de mando a distancia

Inserte el conector del cable remoto (El cable mini estéreo 1/8) cuando utilice el mando a distancia en el estado de conexión con cable.

# Operaciones básicas

## POWER (alimentación)

### Para encender y apagar la unidad (ON/OFF):

1. Enchufe el cable en una toma de corriente general activa de CA.
2. Pulse el interruptor de la alimentación (en el aparato).  
El indicador POWER/STANDBY se iluminará de color rojo y se ajustará el modo en espera.
3. Pulse el botón POWER ON (en el mando a distancia) para encender la unidad.  
Cuando la unidad esté encendida se iluminará (verde) el indicador POWER/STANDBY.
4. Pulse el botón POWER STANDBY (en el mando a distancia) o el interruptor de la alimentación (en el aparato) para apagar el aparato.  
El indicador POWER/STANDBY se iluminará de color rojo y se ajustará el modo en espera (sólo cuando se apaga la unidad con el mando a distancia).

## VOLUME (volumen)

### Para ajustar el nivel del sonido:

1. Mantenga pulsado el botón VOLUME ⊕ (en el mando a distancia o en la unidad) para aumentar la salida de sonido al nivel deseado.
2. Mantenga pulsado el botón VOLUME ⊖ (en el mando a distancia o la unidad) para disminuir el volumen al nivel deseado.

## MUTE (silenciamiento)

### Para desactivar el sonido:

Pulse el botón MUTE en el mando a distancia para cancelar el sonido; pulse este botón nuevamente para restablecer el sonido.


## DISPLAY (pantalla de visualización)

### Para comprobar los ajustes:


1. Pulse el botón DISPLAY para visualizar el modo visualización.
2. Si no se pulsa el botón por un espacio aproximado de tres segundos, la indicación desaparecerá.

## DIGITAL ZOOM (zoom digital)

Zoom digital especifica la posición de la imagen y amplía la imagen.

1. (Asegúrese de que NAVEG. ZOOM está desactivado.)  
Pulse el botón POINTER para visualizar el apuntador. (  )

### Para cambiar el tamaño de la imagen:

Pulse el botón ZOOM+ para ampliar la imagen.  
La forma del apuntador cambiará, asemejándose a una lupa. (  )  
Para reducir la imagen y restablecer su tamaño original, pulse el botón ZOOM-.

### Para cambiar la posición de la imagen:

Seleccione la posición con los botones ▲▼◀▶.

2. Pulse el botón POINTER para borrar el apuntador.

## AUTO ADJUST (ajuste automático)

### Para ajustar automáticamente el tamaño o la calidad de la imagen:

Pulse el botón AUTO ADJUST.

### Información

#### ■ Activación de AUTO ADJUST

Cuando se seleccione la entrada RGB (imagen fija):  
La imagen fina, el ajuste de imagen, la posición y el contraste se ajustarán automáticamente.

Cuando se seleccione la entrada RGB (imagen móvil), VIDEO o Y/Pb/Pr (componente):

El tamaño de la pantalla cambiará automáticamente al modo ZOOM con el texto superpuesto mostrado completamente sólo cuando la imagen contenga áreas oscuras encima y debajo de la misma.

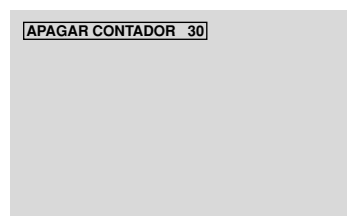
## OFF TIMER (temporizador de desconexión)

### Para ajustar el temporizador de desconexión:

El temporizador de desconexión puede ajustarse para que desconecte la alimentación después de 30, 60, 90, o 120 minutos.

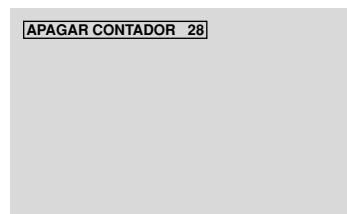
1. Pulse el botón OFF TIMER para activar el temporizador a 30 minutos.
2. Pulse el botón OFF TIMER a la hora deseada.
3. El temporizador se activa cuando se desactiva el menú.

→ 30 → 60 → 90 → 120 → 0



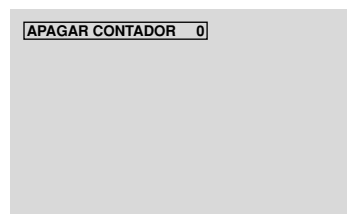
### Para comprobar el tiempo que queda:

1. Una vez que se ha ajustado el temporizador, pulse el botón OFF TIMER una vez.
2. Se visualizará el tiempo restante, luego se desactivará después de unos segundos.
3. Cuando queden cinco minutos, aparecerá el tiempo que queda hasta que llegue a cero.



### Cancelación del temporizador de desconexión:

1. Pulse el botón OFF TIMER dos veces seguidas.
2. El temporizador de desconexión queda cancelado.



### Nota:

Después de que se desactive la alimentación con el temporizador de desconexión ...

Se seguirá suministrando una ligera corriente al monitor. Cuando salga de la habitación o no piense utilizar el sistema durante un período de tiempo prolongado, desconecte la alimentación del monitor.

# Controles OSM (en pantalla)

## Funciones de Menú

La ventana OSM se visualiza con respecto a la pantalla tal como se muestra en el diagrama.

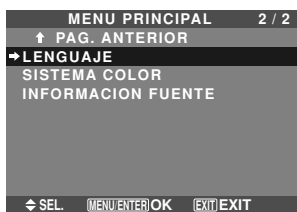
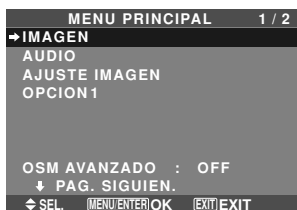
\* Dependiendo del modo de la pantalla, puede que el OSM se visualice de forma ligeramente diferente.

En la explicación, la sección de OSM es mostrada en primer plano.

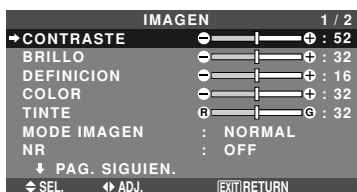


Lo que sigue a continuación es una descripción de la utilización de los menús y de los ítems seleccionados.

1. Pulse el botón MENU/ENTER en el mando a distancia para visualizar el menú principal (MAIN MENU).



2. Pulse los botones de cursor ▲ ▼ en el mando a distancia hasta que quede resaltado el menú al que desee acceder.
3. Pulse el botón MENU/ENTER del mando a distancia para seleccionar un submenú o un ítem.



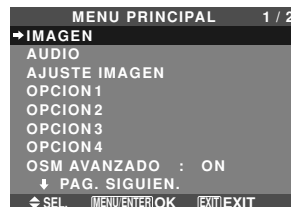
4. Ajuste el nivel o cambie el ajuste del ítem seleccionado con los botones de cursor ◀ ▶ del mando a distancia.
  5. El ajuste o configuración que usted almacenó permanece. El cambio es almacenado hasta que se cambia otra vez.
  6. Repita los pasos 2 – 5 para ajustar otro ítem, o pulse el botón EXIT del mando a distancia para volver al menú principal.
- \* Cuando realice el ajuste utilizando la barra que se encuentra en la parte inferior de la pantalla, pulse el botón ◀ o ▶ dentro de los siguientes 5 segundos. De lo contrario, el ajuste actual será establecido y aparecerá la pantalla anterior.

**Nota:** Para cancelar el menú principal, pulse el botón EXIT.

## Información

### ■ Modo de menú avanzado

Cuando “OSM AVANZADO” se ponga en “ON” en el menú principal (1/2) se mostrarán los elementos de todo el menú.



\* La pantalla que aparezca puede que sea diferente a las que aparecen en este manual.

# Árbol del Menú

\* Para obtener más detalles sobre cada elemento de menú, remítase al CD-ROM.

■ :Las áreas indican el valor predeterminado.

- ← → + : Pulse el botón ◀ o ▶ para ajustar.

□ :Los elementos de menú en un cuadro reglado se encuentran disponibles cuando OSM AVANZADO se pone en ON.

Menú Principal	Submenú	Submenú 2	Submenú 3	Submenú 4	Reajuste	ANGULO OSM "V"	REFERENCIA	
IMAGEN	CONTRASTE	- ← → +	0 ← 52 → 72		SÍ	SÍ	Sp-21	
	BRILLO	- ← → +	0 ← 32 → 64		SÍ	SÍ	Sp-21	
	DEFINICION	- ← → +	0 ← 16 → 32		SÍ	SÍ	Sp-21	
	COLOR	- ← → +	0 ← 32 → 64		SÍ	SÍ	Sp-21	
	TINTE	R ← → G	0 ← 32 → 64		SÍ	SÍ	Sp-21	
	MODE IMAGEN	BRIGHT/NORMAL/TEATRO1/TEATRO2/DEFECTO			SÍ	SÍ	Sp-21	
	NR	OFF/NR-1/NR-2/NR-3			SÍ	SÍ	Sp-21	
	TEMP. COLOR	BAJO/MEDIO/B/MEDIO/ALTO			SÍ	SÍ	Sp-21	
	<span style="border: 1px solid black;">BALANCE BLANCO</span>	GANANCIA R	- ← → +	0 ← 40 → 70		SÍ	NO	Sp-22
		GANANCIA V	- ← → +	0 ← 40 → 70		SÍ	NO	Sp-22
		GANANCIA AZ	- ← → +	0 ← 40 → 70		SÍ	NO	Sp-22
		BIAS ROJO	- ← → +	0 ← 40 → 70		SÍ	NO	Sp-22
		BIAS VERDE	- ← → +	0 ← 40 → 70		SÍ	NO	Sp-22
		BIAS AZUL	- ← → +	0 ← 40 → 70		SÍ	NO	Sp-22
		RESET	OFF ← → ON			SÍ	NO	Sp-22
	<span style="border: 1px solid black;">GAMMA</span>	1 ← → 2 ← → 3 ← → 4				SÍ	NO	Sp-22
	<span style="border: 1px solid black;">TONO BAJO</span> *4	MODO1 ← → MODO2				SÍ	NO	Sp-22
	<span style="border: 1px solid black;">AFINAR COLOR</span>	ROJO	A ← → M	0 ← 32 → 64		SÍ	NO	Sp-22
		VERDE	C ← → A	0 ← 32 → 64		SÍ	NO	Sp-22
		AZUL	M ← → C	0 ← 32 → 64		SÍ	NO	Sp-22
		AMARILLO	V ← → R	0 ← 32 → 64		SÍ	NO	Sp-22
		MAGENTA	R ← → A	0 ← 32 → 64		SÍ	NO	Sp-22
		CIAN	A ← → V	0 ← 32 → 64		SÍ	NO	Sp-22
	RESET	OFF ← → ON			SÍ	NO	Sp-22	

Menú Principal	Submenú	Submenú 2	Submenú 3	Submenú 4	Reajuste	ANGULO OSM "V"	REFERENCIA
AUDIO	GRAVES	- ← → +	0 ← 13 → 26		SÍ	SÍ	Sp-23
	AGUDOS	- ← → +	0 ← 13 → 26		SÍ	SÍ	Sp-23
	BALANCE	L ← → R	-22 ← 0 → +22		SÍ	SÍ	Sp-23
	AUDIO INPUT1	VIDEO 1-3 / DVD/HD 1-2 / RGB 1-3			SÍ	SÍ	Sp-23
	AUDIO INPUT2	VIDEO 1-3 / DVD/HD 1-2 / RGB 1-3			SÍ	SÍ	Sp-23
	AUDIO INPUT3	VIDEO 1-3 / DVD/HD 1-2 / RGB 1-3			SÍ	SÍ	Sp-23

Menú Principal	Submenú	Submenú 2	Submenú 3	Submenú 4	Reajuste	ANGULO OSM "V"	REFERENCIA
AJUSTE IMAGEN	MODO ASPECTO	NORMAL/FULL/STADIUM/ZOOM/2.35:1/14:9/UNDERSCAN/REAL*3			—	SÍ	Sp-23
	V-POSICION	- ← → +	-64 ← 0 → +64		SÍ	SÍ	Sp-23
	H-POSICION	- ← → +	-128 ← 0 → +127		SÍ	SÍ	Sp-23
	V-ALTURA	- ← → +	0 ← → 64		SÍ	SÍ	Sp-23
	H-ANCHURA	- ← → +	0 ← → 64		SÍ	SÍ	Sp-23
	AUTO IMAGEN	OFF ← → ON*2			NO	SÍ	Sp-23
	AJUSTE FINO*1	- ← → + *2	0 ← → 64		SÍ	SÍ	Sp-23
	AJUSTE IMAG.*1	- ← → + *2	0 ← → 64		SÍ	SÍ	Sp-23
	<span style="border: 1px solid black;">UNDERSCAN</span>	OFF ← → ON			SÍ	NO	Sp-23

Menú Principal	Submenú	Submenú 2	Submenú 3	Submenú 4	Reajuste	ANGULO OSM "V"	REFERENCIA
OPCION1	OSM	MOSTRAR OSM	OFF ← → ON		SÍ	SÍ	Sp-24
		AJUSTE OSM	1 ← → 6		SÍ	SÍ	Sp-24
		ANGULO OSM	HORIZ. ← → V		SÍ	SÍ	Sp-24
		OSM ORBITER	OFF ← → ON		SÍ	SÍ	Sp-24
		CONTRAST OSM	BAJO ← → NORMAL		SÍ	SÍ	Sp-24
		SELEC. BNC	RGB ← → COMP.		SÍ	SÍ	Sp-24
	SELEC. D-SUB	RGB		—	SÍ	Sp-24	
	SELEC. RGB	AUTO		SÍ	SÍ	Sp-24	
	SELEC. HD	1080B/1035I/1080A		NO	SÍ	Sp-25	
	ENTRADA SKIP	OFF ← → ON		SÍ	SÍ	Sp-25	
	RESET TODO	OFF ← → ON		—	SÍ	Sp-25	

Menú Principal	Submenú	Submenú 2	Submenú 3	Submenú 4	Reajuste	ANGULO OSM "V"	REFERENCIA	
OPCION2	AHORRO ENERG	OFF←→ON			SÍ	NO	Sp-26	
	MODE CINE	OFF←→ON			SÍ	NO	Sp-26	
	LARGA DURAC.	PLE		AUTO/BLOQ. 1/BLOQ. 2/BLOQ. 3		SÍ	NO	Sp-26
		ORBITADOR		AUTO 1		SÍ	NO	Sp-27
				AUTO 2		SÍ	NO	Sp-27
				MANUAL	H-DOT/V-LINE/TIEMPO	SÍ	NO	Sp-27
				OFF		SÍ	NO	Sp-27
		INVERSIÓN	OFF			SÍ	NO	Sp-27
			ON		WORKING TIME/WAITING TIME	SÍ	NO	Sp-27
			BLANCO			SÍ	NO	Sp-27
		SCREEN WIPER	OFF			SÍ	NO	Sp-28
			ON		WORKING TIME/WAITING TIME/VELOCIDAD	SÍ	NO	Sp-28
		SOFT FOCUS	OFF/1/2/3/4			SÍ	NO	Sp-28
	NIVEL GRISES	0←→3←→15				SÍ	NO	Sp-28
	S1/S2	AUTO←→OFF				SÍ	NO	Sp-29
	PICTURE SIZE*3	OFF←→ON				SÍ	NO	Sp-29
	DVI SET UP	PLUG/PLAY		PC←→STB/DVD		NO	NO	Sp-29
		BLACK LEVEL		LOW←→HIGH		NO	NO	Sp-29
	PROTOCOLO	OFF←→ON				SÍ	NO	Sp-29
	SUBTITULO	APAGADO←→SUBTIT1~4←→TEXT01~4				SÍ	NO	Sp-29
CONTRAST SUB	BAJO←→NORMAL				SÍ	NO	Sp-30	

Menú Principal	Submenú	Submenú 2	Submenú 3	Submenú 4	Reajuste	ANGULO OSM "V"	REFERENCIA	
OPCION3	TEMPORIZADOR	TIEMPO PRES.	DAYLITE SAVE	OFF←→ON	NO	NO	Sp-30	
			DÍA/HORA/MINUTOS		NO	NO	Sp-30	
		TEMPORIZADOR	OFF			SÍ	NO	Sp-31
			PROGRAM		DIA/ON/OFF(HORA, MINUTOS)/INPUT/FUNC.	SÍ	NO	Sp-31
			REPETIR		SINGLE/MULTI/VIDEO-W	SÍ	NO	Sp-32
	MODO PWR. ON	ENTRADA	ULTI / MULTI / VIDEO 1-3 / DVD/HD 1-2 / RGB 1-3			SÍ	NO	Sp-32
		VOLUMEN	ULTI←→0←→42			SÍ	NO	Sp-32
	BLOQUEO CONT	OFF←→ON				SÍ	NO	Sp-32
	IR REMOTO	OFF←→ON				SÍ	NO	Sp-33
	LAZO	OFF←→ON				SÍ	NO	Sp-33
	ID REMOTO	ALL←→1←→4				NO	NO	Sp-33
	NUMERO ID	ALL←→1←→256				SÍ	NO	Sp-33
	VIDEO WALL	DIVISOR	OFF/1/2×2/3×3/4×4/5×5/1/1×5			SÍ	NO	Sp-34
		POSICION	No.1←→No.4/No.7←→No.15/No.16←→No.31/No.32←→No.56			—	NO	Sp-34
		MODO DISP.	DIVIDIR←→BLANCO			SÍ	NO	Sp-34
		AUTO ID	OFF←→ON			SÍ	NO	Sp-35
		PANTALLA	MODO ASPECTO	NORMAL/FULL/STADIUM/ZOOM/2.35:1/14:9/UNDERSCAN/REAL*3		—	NO	Sp-35
			V-POSICION/H-POSICION/V-ALTURA/H-ANCHURA/AUTO IMAGEN/ AJUSTE FINO*/AJUSTE IMAG.*1/UNDERSCAN					
		P. ON DELAY	OFF/ON/MODO1/MODO2			SÍ	NO	Sp-35
		PLE LINK	OFF←→ON			SÍ	NO	Sp-35

Menú Principal	Submenú	Submenú 2	Submenú 3	Submenú 4	Reajuste	ANGULO OSM "V"	REFERENCIA	
OPCION4	SUB. IMAGEN	DET. SUB. IMAG	OFF←→AUTO		SÍ	NO	Sp-36	
		TAMAÑO	20%←→100%		SÍ	NO	Sp-36	
		PANTALLA	UNIDAS←→NORMAL		SÍ	NO	Sp-36	
	NAVEG. ZOOM	OFF←→S BY S←→INF. IZQ←→INF. DCH←→SUP. DCH←→SUP. IZQ			SÍ	NO	Sp-37	
	CONGEL. IMAG.	OFF←→S BY S1←→S BY S2←→INF. IZQ←→INF. DCH←→SUP. DCH←→SUP. IZQ			SÍ	NO	Sp-37	
	CAMBIO RAPID	OFF				SÍ	NO	Sp-38
		ON	SELEC1/SELEC2			SÍ	NO	Sp-38
	INSERT. TEXT	OFF/INF.-1/INF.-2/INF.-3/BAJO/MEDIO/SUP.-3/SUP.-2/SUP.-1/IZQUIERD/DERECHA				SÍ	NO	Sp-38
		ENTRADA/DET. SUB. IMAG/TAMAÑO/PANTALLA				SÍ	NO	Sp-38

Menú Principal	Submenú	Submenú 2	Submenú 3	Submenú 4	Reajuste	ANGULO OSM "V"	REFERENCIA
OSM AVANZADO	OFF←→ON				SÍ	NO	Sp-39
LENGUAJE	ENGLISH/DEUTSCH/FRANÇAIS/ESPAÑOL/ITALIANO/SVENSKA/РУССКИЙ/PORTUGUÊS				NO	NO	Sp-39
SISTEMA COLOR	AUTO/3.58 NTSC/4.43 NTSC/PAL/PAL 60/PAL-N/PAL-M/SECAM				NO	SÍ	Sp-39
INFORMACION FUENTE	—				—	SÍ	Sp-39

\*1 Sólo cuando AUTO IMAGEN está desactivada (OFF).

\*2 Sólo RGB.

\*3 "PICTURE SIZE" y "REAL" son solamente para tamaño de 50 y 60 pulgadas.

\*4 "TONO BAJO" es solamente para el tamaño de 50 pulgadas.

## Información

### ■ Restablecimiento de los ajustes por defecto de fábrica

Seleccione "RESET TODO" debajo del menú de OPCION1. Observe que esta acción también restablecerá otros ajustes a los valores por defecto de fábrica.

# Solución de Problemas

Si la calidad de la imagen es mala o se presenta algún otro problema, compruebe los ajustes, operaciones, etc., antes de llamar al servicio técnico.

Síntoma	Comprobaciones	Solución
La unidad emite un sonido de chisporroteo.	<ul style="list-style-type: none"> <li>¿Son normales la imagen y el sonido?</li> </ul>	<ul style="list-style-type: none"> <li>Si no hay ninguna anomalía en la imagen y en el sonido, el ruido es causado por la caja del proyector que reacciona a los cambios de temperatura. Esto no afectará el funcionamiento del equipo.</li> </ul>
La imagen está movida. El sonido es ruidoso. El mando a distancia funciona de manera errónea.	<ul style="list-style-type: none"> <li>¿Se ha colocado un componente conectado directamente delante o a un costado de la pantalla de visualización?</li> </ul>	<ul style="list-style-type: none"> <li>Deje algo de espacio de separación entre la pantalla de visualización y los componentes conectados.</li> </ul>
El mando a distancia no funciona.	<ul style="list-style-type: none"> <li>¿Están gastadas las pilas del mando a distancia?</li> <li>¿Está IR REMOTO en ON?</li> <li>¿Se ha puesto un número de identificación para el aparato principal?</li> </ul>	<ul style="list-style-type: none"> <li>Reemplace ambas pilas por pilas nuevas.</li> <li>Ponga IR REMOTO en OFF en el menú OPCION3.</li> <li>Ponga un número de identificación con el botón ID SELECT, o ponga el número de identificación en ALL.</li> </ul>
La alimentación del monitor no se activa cuando se pulsa el botón de encendido del mando a distancia.	<ul style="list-style-type: none"> <li>¿Ha conectado el cable de alimentación del monitor a la red general?</li> <li>¿Están desactivados OFF todos los indicadores del monitor?</li> <li>¿Están gastadas las pilas del mando a distancia?</li> <li>¿Está IR REMOTO en OFF?</li> <li>¿Se ha puesto un número de identificación para el aparato principal?</li> </ul>	<ul style="list-style-type: none"> <li>Enchufe el cable de alimentación del monitor a una toma de la red.</li> <li>Pulse el botón de encendido del monitor para activar la alimentación.</li> <li>Reemplace ambas pilas por pilas nuevas.</li> <li>Ponga IR REMOTO en ON en el menú OPCION3.</li> <li>Ponga un número de identificación con el botón ID SELECT, o ponga el número de identificación en ALL.</li> </ul>
El monitor no funciona cuando se pulsan los botones del mando a distancia.	<ul style="list-style-type: none"> <li>¿Está apuntado el mando a distancia al monitor, o hay algún obstáculo entre el mando a distancia y el monitor?</li> <li>¿Hay luz solar directa o luz artificial fuerte sobre el sensor de mando a distancia?</li> <li>¿Están gastadas las pilas del mando a distancia?</li> <li>El cable de mando a distancia está conectado al terminal REMOTE IN.</li> </ul>	<ul style="list-style-type: none"> <li>Apunte el mando a distancia al sensor de mando a distancia del monitor al pulsar los botones, o retire el obstáculo.</li> <li>Elimine la luz cerrando las cortinas, apuntando la luz artificial en otra dirección, etc.</li> <li>Reemplace ambas pilas por pilas nuevas.</li> <li>Desconecte el cable de mando a distancia del monitor.</li> </ul>
Los botones del panel delantero de la unidad principal no funcionan.	<ul style="list-style-type: none"> <li>Los botones del panel delantero no funcionan en el estado de "bloqueo de control".</li> </ul>	<ul style="list-style-type: none"> <li>Ponga BLOQUEO CONT en OFF.</li> </ul>
No se produce ningún sonido o imagen.	<ul style="list-style-type: none"> <li>¿Ha conectado el cable de alimentación del monitor a la red general?</li> </ul>	<ul style="list-style-type: none"> <li>Enchufe el cable de alimentación del monitor a una toma de la red.</li> </ul>
La imagen aparece, pero no se produce ningún sonido.	<ul style="list-style-type: none"> <li>¿Está ajustado el volumen al mínimo?</li> <li>¿Se ha ajustado el modo silenciamiento?</li> <li>¿Están conectados los altavoces correctamente?</li> <li>¿Se ha ajustado correctamente la entrada de audio (AUDIO INPUT)?</li> </ul>	<ul style="list-style-type: none"> <li>Aumente el volumen.</li> <li>Pulse el botón de silenciamiento del mando a distancia.</li> <li>Conecte los altavoces correctamente.</li> <li>Ajuste correctamente el ítem AUDIO INPUT. (entrada de audio) en el menú AUDIO.</li> </ul>
Mala calidad de imagen con entrada de señales VIDEO.	<ul style="list-style-type: none"> <li>Ajuste incorrecto de los controles. Interferencia local.</li> <li>Interconexión de los cables.</li> <li>La impedancia de entrada no está en el nivel correcto.</li> </ul>	<ul style="list-style-type: none"> <li>Ajuste los controles de imagen según sea necesario. Pruebe instalar el monitor en otro lugar. Compruebe que todas las conexiones estén debidamente aseguradas.</li> </ul>
Mala calidad de imagen con entrada de señales RGB.	<ul style="list-style-type: none"> <li>Ajuste incorrecto de los controles.</li> <li>Conexión incorrecta del conector de 15 pines.</li> </ul>	<ul style="list-style-type: none"> <li>Ajuste los controles de imagen según sea necesario. Compruebe la asignación de pines y las conexiones.</li> </ul>
El matiz es pobre o los colores son débiles.	<ul style="list-style-type: none"> <li>¿Se han ajustado correctamente el matiz y los colores?</li> </ul>	<ul style="list-style-type: none"> <li>Ajuste el matiz y el color (en "IMAGEN").</li> </ul>
No aparece nada en la pantalla.	<ul style="list-style-type: none"> <li>¿Está encendido el ordenador?</li> <li>¿Existe una fuente conectada?</li> <li>¿Está la función de ahorro de energía en el modo en espera o en el modo desactivado OFF?</li> <li>¿Está el LAZO en ON?</li> </ul>	<ul style="list-style-type: none"> <li>Encienda la alimentación del ordenador.</li> <li>Conecte la fuente al monitor.</li> <li>Haga funcionar el ordenador (mueva el ratón, etc.).</li> <li>Ponga LAZO en OFF.</li> </ul>
Parte de la imagen está cortada o la imagen no está centrada.	<ul style="list-style-type: none"> <li>¿Se ha realizado adecuadamente el ajuste de posición?</li> </ul>	<ul style="list-style-type: none"> <li>Ajuste correctamente el ítem "AJUSTE IMAGEN".</li> </ul>
La imagen es demasiado grande o demasiado pequeña.	<ul style="list-style-type: none"> <li>¿Se ha realizado correctamente el ajuste de tamaño de pantalla?</li> </ul>	<ul style="list-style-type: none"> <li>Pulse el botón "WIDE" del mando a distancia y ajuste correctamente.</li> </ul>
La imagen es inestable.	<ul style="list-style-type: none"> <li>¿Se ha realizado correctamente el ajuste de resolución del ordenador?</li> </ul>	<ul style="list-style-type: none"> <li>Ajuste a la resolución correcta.</li> </ul>
El indicador POWER/STANDBY se ilumina de color rojo.	<ul style="list-style-type: none"> <li>La señal de sincronización horizontal y/o vertical no está presente cuando se activa el control Intelligent Power Manager.</li> </ul>	<ul style="list-style-type: none"> <li>Compruebe la señal de entrada.</li> </ul>
El indicador POWER/STANDBY parpadea de color rojo.	<ul style="list-style-type: none"> <li>La temperatura en el interior de la unidad principal ha aumentado excesivamente y ha activado el protector.</li> </ul>	<ul style="list-style-type: none"> <li>Desconecte inmediatamente la alimentación de la unidad principal y espere hasta que la temperatura interna descienda. Véase *1.</li> </ul>
El indicador POWER/STANDBY parpadea de color verde y rojo, o verde.	<ul style="list-style-type: none"> <li>_____</li> </ul>	<ul style="list-style-type: none"> <li>Desconecte inmediatamente la alimentación de la unidad principal. Véase *2.</li> </ul>

## \*1 Protector contra recalentamiento

Si el monitor se calienta demasiado, se activará el protector contra recalentamiento y el monitor se apagará. Si esto sucediera, desconecte la alimentación del monitor y desenchufe el cable de alimentación. Si la habitación donde está instalado el monitor es particularmente calurosa, traslade el monitor a un sitio más fresco y espere 60 minutos hasta que el monitor se enfríe. Si persiste el problema, póngase en contacto con el distribuidor quien le ofrecerá asistencia técnica.

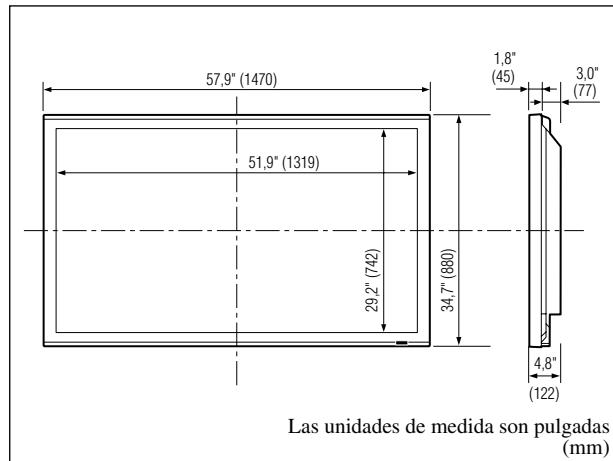
## \*2 En el siguiente caso, desconecte inmediatamente la alimentación del monitor y póngase en contacto con su distribuidor o centro autorizado.

El monitor se apagará 5 segundos después de ser encendido y el indicador POWER/STANDBY comenzará a parpadear. Esto indica que el circuito de alimentación, el panel de plasma, el sensor de temperatura o uno o más ventiladores han sido estropeados.



# Especificaciones

<b>Tamaño de la pantalla</b>	51,9 pulgadas(H) × 29,2 pulgadas(V) 1319 mm(H) × 742 mm(V) diagonal 60 pulgadas
<b>Proporción de la pantalla</b>	16 : 9
<b>Resolución</b>	1365 pixels(H) × 768 pixels(V)
<b>Tamaño de pixel</b>	0,038 pulgadas(H) × 0,038 pulgadas(V) 0,97 mm(H) × 0,97 mm(V)
<b>Señales</b>	
Margen de sincronización	Horizontal : 15,5 kHz to 110,0 kHz (automático: exploración de paso) Vertical : 50,0 Hz a 120,0 Hz (automático: exploración de paso)
Señales de entrada	RGB, NTSC (3,58/4,43), PAL (B,G,M,N), PAL60, SECAM, HD*1, DVD*1, DTV*1
<b>Terminales de entrada</b>	(VIDEO1 y RGB1 también se pueden utilizar como terminales OUTPUT)
<b>RGB</b>	
Visual 1 (Análogo)	mini D-sub 15-pin × 1
Visual 2 (Análogo)	BNC (R, G, B, HD, VD) × 1*2
Visual 3 (Digital)	DVI-D 24-pin × 1*3
<b>Video</b>	
Visual 1	BNC × 1
Visual 2	RCA-pin × 1
Visual 3	S- Video: DIN 4-pin × 1
<b>DVD/HD</b>	
Visual 1	RCA-pin (Y, Cb/Pb, Cr/Pr) × 1*1
Visual 2	BNC (Y, Cb/Pb, Cr/Pr) × 1*1,*2
Visual 3	DVI-D 24-pin × 1*3
<b>Audio</b>	Estéreo RCA × 3 (seleccionable)
<b>External Control</b>	D-sub 9-pin × 1(RS-232C)
<b>Entrada de mando a distancia</b>	1 mini conector
<b>Salida de mando a distancia</b>	1 mini conector
<b>Salida de sonido</b>	9 W+9 W de 6 ohmios
<b>Alimentación</b>	CA 100 V a 240 V (50 Hz/60 Hz)
<b>Amperaje nominal</b>	7,0 A (máximo)
<b>Consumo de energía</b>	440 W (típico)
<b>Dimensiones</b>	57,9 pulgadas(A) × 34,7 pulgadas(AI) × 4,8 pulgadas(F) 1470 mm(A) × 880 mm(AI) × 122 mm(F)
<b>Peso</b>	135,6 lbs / 61,5 kg (sin base)
<b>Consideraciones ambientales</b>	
Temperatura de uso	0 °C a 40 °C / 32 °F a 104 °F
Humedad	20 % a 80 % (sin condensación)
Temperatura de almacenaje	-10 °C a 50 °C / 14 °F a 122 °F
Humedad	10 % a 90 % (sin condensación)
<b>Otras características</b>	Convertidor de exploración 3D de movimiento compensado (NTSC, PAL, 480I, 576I, 525I, 625I, 1035I, 1080I), convertidor pull down 2-3 (NTSC, 480I, 525I, 1035I, 1080I (60 Hz)), convertidor pull down 2-2 (PAL, 576I, 625I, NTSC, 480I, 525I), acercamiento digital (zoom) (100 % a 900 % seleccionable), múltiples pantallas 4 a 25 video wall, autodiagnóstico via RS232C, modo de larga duración de pantalla (PLE, ORBITADOR, INVERSIÓN, BLANCO, SCREEN WIPER, SOFT FOCUS, etc.), bloqueo de control (excepto interruptor de la alimentación), salto de entrada, tonalidad de color, temporizador programable, interfaz de bucle pasante, conexión y reproducción (DDC1, DDC2b, RGB3: DDC2b solamente), multipantalla mejorada, protocolo de configuración, etc.
<b>Accesorios</b>	Cable de alimentación (× 1), Mando a distancia (× 1), Pilas tamaño AAA (× 2), Manuales (Guía de inicio y CD-ROM), Núcleos de ferrita para el cable de alimentación (× 2), bandas para cable de alimentación (× 2), Abrazaderas de cable (× 3), bandas de cuentas (× 3), Núcleo de ferrita para el cable remoto (× 2).
<b>Regulaciones</b>	UL 60950-1, CAN/CSA-C22.2 No.60950-1-03, FCC clase B, ICES-003 clase B



Las características y especificaciones están sujetas a cambios sin previo aviso.

**\*1 Señales de entrada HD/DVD/DTV aceptadas por este sistema.**

480P (60 Hz)	480I (60 Hz)	525P (60 Hz)
525I (60 Hz)	576P (50 Hz)	576I (50 Hz)
625P (50 Hz)	625I (50 Hz)	720P (60 Hz)
720P (50 Hz)	1035I (60 Hz)	1080I (50 Hz)
1080I (60 Hz)	1080P (50 Hz)	1080P (60 Hz)

**\*2 Los conectores 5-BNC se utilizan como entrada RGB2 y DVD/HD2. Seleccione una de ellas bajo "SELEC. BNC".**

**\*3 Compatible con HDCP.**

**Señales respaldadas**

• 640 × 480P @ 59,94/60 Hz	• 1440 (720) × 480I @ 59,94/60 Hz
• 720 × 480P @ 59,94/60 Hz	• 1440 (720) × 576I @ 50 Hz
• 720 × 576P @ 50 Hz	• 1920 × 1080I @ 59,94/60 Hz
• 1280 × 720P @ 59,94/60 Hz	• 1920 × 1080I @ 50 Hz
• 1280 × 720P @ 50 Hz	
• 1920 × 1080P @ 59,94/60 Hz	
• 1920 × 1080P @ 50 Hz	

**Nota:** En algunos casos es posible que no se visualice apropiadamente una señal en el monitor de plasma. El problema puede ser una inconsistencia con los estándares del equipo fuente (DVD, decodificador superior, etc.). Si se le presenta este problema, póngase en contacto con NEC Corporation of America y también con el fabricante del equipo fuente.

# Garantía limitada Monitores de plasma

NEC Corporation of America garantiza que este producto está libre de defectos en material y mano de obra bajo los términos siguientes y, sujeto a las condiciones mencionadas más adelante, acuerda reparar o reemplazar (a opción exclusiva de NEC Corporation of America) cualquier pieza de la unidad que se compruebe estar defectuosa. Las piezas de reemplazo pueden ser nuevas o renovadas y estas cumplirán con las especificaciones de las piezas o productos originales.

## ¿CUÁNTO DURA LA GARANTÍA?

Las piezas y el trabajo se garantizan por un periodo de un (1) año desde la fecha de compra del primer cliente.

## ¿A QUIÉN CUBRE LA GARANTÍA?

Esta garantía puede sólo cumplirse para el primer comprador.

## QUE CUBRE Y QUE NO CUBRE LA GARANTÍA

Excepto por lo especificado a continuación, esta garantía cubre todos los defectos en material o mano de obra en este producto.

La garantía no cubre lo siguiente:

1. Cualquier producto que no sea distribuido en los EE.UU. o Canadá por NEC Corporation of America o que no haya sido comprado en los países antes mencionados a un distribuidor autorizado de NEC Corporation of America.
2. Cualquier producto en el cual el número de serie haya sido desfigurado, modificado o removido.
3. Daños, deterioro o malfuncionamiento resultado de:
  - a. Accidentes, uso incorrecto, abuso, negligencia, incendios, inundaciones, relámpagos u otros fenómenos naturales, modificación no autorizada del producto, o el no seguir las instrucciones suministradas con el producto.
  - b. La reparación o intento de reparación por personas no autorizadas por NEC Corporation of America.
  - c. Cualquier transporte del producto (los reclamos deben presentarse al transportador).
  - d. Extracción o instalación del producto.
  - e. Cualquier otra causa que no esté relacionada con un defecto del producto.
  - f. Quemaduras o imágenes residuales en el fósforo del panel.
4. Cajas de cartón, estuches de transporte, baterías, cajas externas, cintas magnéticas o cualquier clase de accesorios utilizados en conexión con el producto.
5. Servicios fuera de los EE.UU. y Canadá.

## QUE PAGAREMOS Y QUE NO PAGAREMOS

Pagaremos los gastos de trabajo y materiales para los elementos cubiertos, pero no pagaremos lo siguiente:

1. Costos de extracción o instalación.
2. Costos de ajustes técnicos iniciales (montaje), incluyendo el ajuste de los controles de usuario. Estos costos son responsabilidad del distribuidor de NEC Corporation of America donde se adquirió el producto.
3. Costos de envío.

## COMO SE PUEDE OBTENER EL SERVICIO DE GARANTÍA

1. Para obtener servicio para su producto, consulte al distribuidor donde adquirió el producto.
2. Cada vez que se requiera de servicios de garantía, será necesario presentar la factura original antigua (o una copia) como prueba del cubrimiento de la garantía.  
Incluya por favor en cualquier envío, su nombre, dirección y una descripción del (de los) problema(s).
3. Para obtener información sobre los centros autorizados de servicios de NEC Corporation of America más cercanos, llame a NEC Corporation of America al 800-836-0655.

## LIMITACIONES DE RESPONSABILIDAD

Excepto por las obligaciones determinadas específicamente más adelante en esta declaración de garantía, no seremos responsables de daños directos, indirectos, especiales, consecuenciales ni de otro tipo, basados en contratos, agravios o cualquier otra teoría legal, ya sea que hayamos o no advertido sobre la posibilidad de dichos daños. Esta garantía está en lugar de todas las garantías expresadas o implícitas, incluyendo pero no limitando, las garantías de comercialización o idoneidad para un propósito en particular.

## EXCLUSIÓN DE DAÑOS

La responsabilidad de NEC Corporation of America por cualquier producto defectuoso está limitada a la reparación o reemplazo del producto a nuestra discreción. NEC Corporation of America no será responsable por:

1. Daños a propiedades causados por cualquier defecto en este producto, daños basados en inconveniencia, pérdidas de uso del producto, pérdidas de tiempo, pérdidas comerciales; o
2. Cualquier otros daños ya sean fortuitos, consecuentes o de otra manera. Algunos estados no permiten limitación en lo que respecta al periodo de duración de una garantía implícita o no permiten la exclusión o limitación de daños fortuitos o consecuentes, de tal forma que es posible que las limitaciones y exclusiones mencionadas anteriormente no se puedan aplicar en su caso.

## COMO SE RELACIONA LA LEY ESTATAL CON LA GARANTÍA

Esta garantía le proporciona derechos legales específicos, y es posible que también adquiera otros derechos que varían de estado a estado.

PARA OBTENER MÁS INFORMACIÓN,  
TELÉFONO 800-836-0655  
NEC CORPORATION OF AMERICA  
1250 N. Arlington Heights Road, Suite 400  
Itasca, Illinois 60143-1248

**Nota:** Todos los productos devueltos a NEC Corporation of America para servicio **DEBEN** tener aprobación previa. Para obtener dicha aprobación, llame a NEC Corporation of America al 800-836-0655.

# Guia de iniciação

## (Modelo de tela dividida melhorada)

Para o funcionamento do seu monitor plasma, consulte o CD-ROM.

## Conteúdo

### Informação importante ..... Po-2

### Instalação ..... Po-4

Requisitos de ventilação para a montagem da caixa ....	Po-4
Criar um vídeo-wall .....	Po-5
Manuseamento do cabo .....	Po-5
Precauções a ter quando o monitor plasma é instalado na vertical .....	Po-6
Como utilizar o controle remoto .....	Po-6
Instalação e substituição das baterias .....	Po-6
Utilizar o modo de controle remoto com fios .....	Po-6
Alcance de funcionamento .....	Po-6

### Nomes de peças e função ..... Po-7

Vista frontal .....	Po-7
Vista posterior/Placa de terminais .....	Po-8
Controle remoto .....	Po-9

### Operações básicas ..... Po-10

POWER .....	Po-10
Para ligar (ON) e desligar (OFF) a unidade: .....	Po-10
VOLUME .....	Po-10
Para ajustar o volume: .....	Po-10
MUTE .....	Po-10
Para emudecer o som: .....	Po-10
DISPLAY .....	Po-10
Para verificar as definições: .....	Po-10
DIGITAL ZOOM .....	Po-10
AUTO ADJUST .....	Po-10
Ajustar o tamanho ou qualidade da imagem automaticamente: .....	Po-10
OFF TIMER .....	Po-10
Para configurar o temporizador de desligar: .....	Po-10
Para verificar o tempo restante: .....	Po-10
Para cancelar o temporizador de desligar: .....	Po-10

### Controles OSM (Menu no écran) ..... Po-11

Operações do Menu .....	Po-11
Árvore do Menu .....	Po-12

### Resolução de problemas ..... Po-14

### Especificações ..... Po-15

### Garantia Limitada Monitores de Plasma ..... Po-16

## Manual de usuário em CD-ROM

● O manual de usuário completo é fornecido no CD-ROM, em formato PDF (Portable Document Format) e fornece detalhes do produto e informações para utilização do seu monitor de plasma NEC.

Para visualizar e/ou imprimir os arquivos PDF, é necessário ter instalado o programa Adobe Acrobat Reader™ ou Adobe Reader™.

*NOTA: Adobe Acrobat Reader ou Adobe Reader podem ser descarregados da página de Internet da Adobe. Visite <http://www.adobe.com> e obtenha a versão atualizada para o seu Sistema Operativo.*

● Visualizar o Manual de usuário (PDF)

[Windows]

1. Introduza o CD-ROM fornecido na unidade de CD-ROM do seu computador.
2. Um menu será exibido automaticamente.  
Se isto não acontecer:
  - 1) Na área de trabalho do Windows, clique duplo no ícone [Meu Computador].
  - 2) Clique duplo no drive de CD-ROM [NECPLASMA-UM].
  - 3) Clique duplo em "start\_menu.pdf".
3. Clique no nome de seu produto.  
O manual do usuário será exibido na tela.

[Macintosh]

1. Introduza o CD-ROM fornecido na unidade de CD-ROM do seu computador Macintosh.
2. Clique duplo no ícone de CD-ROM [NECPLASMA-UM].
3. Clique duplo em "start\_menu.pdf".  
O Menu Inicial será exibido.
4. Clique no nome de seu produto.  
O manual do usuário será exibido na tela.

● Copiar o Manual de usuário (PDF) para o seu computador.

O manual de usuário no CD-ROM fornecido pode ser copiado para o disco rígido do seu computador.

## Conteúdo da embalagem

- Monitor de plasma (× 1)
- Cabo de energia (× 1, 3 m/9,8 pés)
- Controle remoto (× 1)
- Pilhas AAA (× 2, pilha de manganês para o controle remoto)
- Manuais (Guia de iniciação e CD-ROM)
- Núcleos de ferrite para o cabo de energia (× 2), fitas para o cabo de energia (× 2)
- Núcleo de ferrite para o cabo remoto (× 2)
- Grampos do cabo (× 3), cintas (× 3)

## Opções

- Unidade de suporte de parede
- Unidade de suporte no teto
- Unidade de suporte inclinado
- Rack de Mesa
- Colunas


PORTUGUÊS

# Informação importante


## Precauções

Leia atentamente este manual antes de usar seu monitor plasma e mantenha-o à mão para futura consulta.

**CUIDADO**



**RISCO DE CHOQUE ELÉTRICO  
NÃO ABRIR**



**CUIDADO:** PARA REDUZIR O PERIGO DE ELÉTRICO, NÃO REMOVA A TAMPA. NÃO EFETUE A MANUTENÇÃO DAS PEÇAS INTERNAS. A MANUTENÇÃO DEVE SER EFETUADA POR PESSOAL QUALIFICADO.

Este símbolo avisa o usuário que a voltagem não isolada dentro da unidade poderá ter magnitude suficiente para causar choque elétrico. Por esta razão, é perigoso tocar qualquer parte no interior desta unidade.

Este símbolo alerta o usuário que informações importantes no que diz respeito à operação e manutenção desta unidade foram incuídas. Assim, deverão ser cuidadosamente lidas para evitar quaisquer problemas.

**AVISO**

PARA EVITAR PERIGO DE INCÊNDIO OU CHOQUE, NÃO EXPONHA ESTA UNIDADE À CHUVA E UMIDADE. TAMBÉM NÃO UTILIZE A FICHA POLARIZADA DESTA UNIDADE EM RECEPTÁCULOS DE CABO DE EXTENSÃO OU OUTRAS TOMADAS, A NÃO SER QUE SEJAM INSERIDOS PINOS. EVITE ABRIR A CAIXA ONDE SE ENCONTRAM OS COMPONENTES DE ALTA VOLTAGEM. O REPARO DEVE SER EFETUADO POR PESSOAL QUALIFICADO.

## Avisos e precauções de segurança

Este monitor plasma foi desenhado e fabricado para funcionar sem problemas e durante muito tempo. Não é necessária qualquer manutenção para além da limpeza. Consulte a seção, "Procedimento de limpeza do monitor plasma" na página seguinte. O painel de visualização plasma consiste em elementos de imagem finos (células) com mais de 99,99 % de células ativas. Poderão existir células que não produzam luzes ou permaneçam acesas.

Para uma operação segura e para evitar danos na unidade, leia atentamente e siga as seguintes instruções.

Para evitar perigo de choque e incêndio:

1. Disponibilize espaço suficiente para evitar a acumulação de calor interno. Não tape as saídas de ventilação da tampa posterior nem instale a unidade dentro de um armário ou estante fechados. Se instalar a unidade dentro de um armário, certifique-se que deixa espaço adequado na parte superior da unidade para permitir a saída de ar quente. Se o monitor se tornar demasiado quente, o protetor de sobre-aquecimento é ativado e o monitor desliga. Caso isto aconteça, desligue a corrente do monitor e desligue o cabo de alimentação. Se o compartimento onde se encontra o monitor instalado estiver demasiado quente, mova o monitor para um local mais fresco e aguarde 60 minutos até que arrefeça. Se o problema persistir, contate o seu fornecedor.
2. Não utilize a ficha polarizada da unidade com cabos de extensão ou outras tomadas a não ser que sejam inseridos pinos.
3. Não exponha a unidade à água ou umidade.
4. Evite danificar o cabo de alimentação e não tente alterar o mesmo.
5. Desligue o cabo de alimentação durante tempestades elétricas ou se a unidade não for utilizada durante um longo período de tempo.
6. Não abra a caixa que tem componentes de alta voltagem potencialmente perigosos no seu interior. Se a unidade for danificada desta forma, a garantia é invalidada. Para além disso, existe o risco de choque elétrico.
7. Não tente efetuar a manutenção ou reparo da unidade. O fabricante não se responsabiliza por quaisquer lesões corporais ou danos causados pela tentativa de anutenção por parte de pessoas não qualificadas ou pela abertura da tampa posterior. Todas e quaisquer reparos ou manutenções devem ser efetuados em Centros de Assistência autorizados.
8. Este equipamento deve estar ligado a uma saída de corrente com ligação à terra de proteção.
9. A tomada deve estar instalada perto do equipamento e facilmente

acessível.

Para evitar danos e aumentar a duração de funcionamento:

1. Utilize apenas a unidade com uma fonte de alimentação CA de 100 V a 240 V 50 Hz/60 Hz. O funcionamento contínuo em voltagens superiores a 100 V a 240 V CA diminui o tempo de vida útil da unidade e pode até causar perigo de incêndio.
2. Manuseie a unidade com cuidado ao instalá-la e não a deixe cair.
3. Instale a unidade longe do calor, poeira excessiva e da luz direta do sol.
4. Proteja o interior da unidade de líquidos e de pequenos objetos metálicos. Em caso de acidente, desligue o cabo de alimentação e envie para reparo a um Centro de Assistência autorizado.
5. Não bata nem risque a superfície do painel uma vez que pode causar defeitos na superfície da tela.
6. Para a instalação e montagem corretas, recomendamos que contate um fornecedor treinado e autorizado.
7. Tal como acontece com qualquer monitor à base de fósforo (como um monitor CRT, por exemplo), a saída de luz vai diminuindo com o decorrer do tempo de vida útil de um painel de plasma.
8. Para evitar a sulfuração, recomendamos que não coloque a unidade num compartimento de vestuário, num banheiro público ou sauna.
9. Não utilize a unidade num veículo móvel, uma vez que pode cair ou tombar e causar lesões.
10. Não coloque a unidade de lado, virada ao contrário ou com a tela virada para cima ou para baixo para evitar a combustão ou choque elétrico.
11. Fontes de chama descobertas, como uma vela acesa, não deverían ser colocados sobre o aparelho. Se fontes de chama descobertas caem acidentalmente, o fogo propagado sobre o aparelho pode causar incêndio.

Procedimento de limpeza do monitor plasma:

1. Utilize um pano seco para limpar o painel frontal e a área da chanfradura. Nunca utilize solventes como álcool ou diluente para limpar estas superfícies.
2. Limpe as área de ventilação do plasma com um aspirador com um acessório de escova macia.
3. Para assegurar uma ventilação correta, a limpeza das áreas de ventilação deve ser efetuada mensalmente. Poderá ser necessário efetuar uma limpeza mais freqüente dependendo do ambiente no qual o monitor plasma está instalado.

Recomendações para evitar ou minimizar queimar o fósforo:

Tal como todos os dispositivos de visualização à base de fósforo e todos os monitores plasma a gás, os monitores plasma podem ser susceptíveis à queima do fósforo sob determinadas circunstâncias. Determinadas condições de funcionamento, como a visualização contínua de uma imagem estática durante um longo período de tempo, podem queimar o fósforo caso não sejam tomadas as devidas precauções. Para proteger o seu investimento neste monitor plasma, siga as seguintes diretrizes e recomendações para minimizar a ocorrência de destruição da imagem:

- \* Ative e utilize sempre a função de protetor da tela do computador durante a utilização com uma fonte de entrada para computador.
  - \* Visualize uma imagem de movimento sempre que possível.
  - \* Mude a posição da visualização de menus de vez em quando.
  - \* Desligue sempre o monitor quando terminar a sua utilização.
- Se o monitor plasma for utilizado durante muito tempo e de forma contínua, toma as seguintes medidas para diminuir a queima de fósforo:
- \* Reduza os níveis de luminosidade e contraste o mais possível sem prejudicar a percepção da imagem.
  - \* Visualize uma imagem com muitas cores e graus de cores (por exemplo, imagens fotográficas ou foto-realistas).
  - \* Crie o conteúdo da imagem com o contraste mínimo entre as áreas de luz e escuras, por exemplo, caracteres brancos em fundos pretos. Utilize cores complementares ou pálidas sempre que possível.
  - \* Evite visualizar imagens com poucas cores e margens distintas e marcadas entre as cores.

Som com o monitor de plasma funcionando

O painel do monitor de plasma é composto de pixels extremamente pequenos, e estes pixels emitem luz quando recebem sinais de vídeo. Este princípio poderá causar um zunido ou zumbido elétrico vindo do monitor de plasma. Note também que a velocidade de rotação do motor da ventoinha de arrefecimento aumenta quando a temperatura ambiente do monitor de plasma está alta. Neste caso, o som do motor da ventoinha poderá ser ouvido.

### Nota:

Os seguintes itens não estão cobertos pela garantia.

- Retenção da imagem
- Sons gerados pelo painel, por exemplo: Ruído do motor da ventoinha, zumbido do circuito elétrico / painel de vidro.

Contate o seu fornecedor para outros procedimentos recomendados que Po-2 melhor se adequem às suas necessidades de aplicação especiais.

## Aviso

Não é para utilização numa sala de computador como definido no Padrão ANSI/NFPA 75 para a protecção de computador eletrônico/equipamento de processamento de dados.

Este equipamento foi testado e cumpre os limites de um equipamento de digital de Classe B, de acordo com a Parte 15 da regras FCC. Estes limites foram concebidos para fornecer protecção razoável contra interferência prejudicial numa instalação residencial. Este equipamento gera, utiliza e gera frequências rádio e, se não for instalado e utilizado de acordo com as instruções, pode causar interferências perigosas às comunicações rádio. No entanto, não existe a garantia que a interferência não ocorra numa instalação particular. Se este equipamento não causar interferência perigosa à recepção de rádio ou televisão, o que pode ser determinado ligando e desligando o equipamento, o usuário é encorajado a tentar corrigir a interferência por uma ou mais das seguintes medidas:

- Reorientar ou recolocar a antena de recepção.
- Aumentar a separação entre o equipamento e o receptor.
- Ligar o equipamento a uma tomada num circuito diferente do qual o receptor está ligado.
- Consulte o distribuidor ou um técnico especializado de TV/rádio para obter ajuda.

Este aparelho digital Classe B atende às normas ICES-003 do Canadá.

### NOTA:

Quando usar um cabo RGB (não fornecido), use-o com núcleos de ferrite (não fornecidos) em ambas extremidades do cabo. Se isto não for feito, este monitor não estará em conformidade com os padrões FCC obrigatórios.

### NOTA:

Quando usar o cabo de energia (fornecido), use os núcleos de ferrite fornecidos. Coloque os núcleos de ferrite (fornecidos) em ambas extremidades do cabo de energia (fornecido), em seguida use as fitas (fornecidas) para prendê-los ao cabo de energia (fornecido). Se isto não for feito, este monitor não estará em conformidade com os padrões FCC obrigatórios.

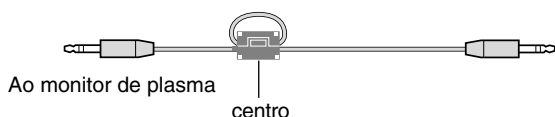
Cabo de corrente (fornecido)



### NOTA:

Quando usar um cabo remoto (não fornecido), use o núcleo de ferrite fornecido. Enrole o cabo remoto (não fornecido) uma vez em volta do núcleo de ferrite (fornecido), prendendo-o em seguida. Se isto não for feito, este monitor não estará em conformidade com os padrões FCC obrigatórios.

Cabo remoto (não fornecido)



## ADVERTÊNCIA

Este aparelho é fornecido com um tipo de tomada à três pólos com ligação de terra, uma tomada com um terceiro pólo e será adaptado a uma tomada com ligação de terra. É uma medida de segurança. Se não conseguir colocar a tomada do aparelho na tomada de parede, contacte o seu electricista para substituir a sua tomada antiquada. Não subestime o objetivo de segurança do tipo de tomada com ligação de terra.

## Condições de Funcionamento

Temperatura e umidade do ambiente operacional:

0 °C a +40 °C (+32 °F a +104 °F); menos que 80 % de umidade relativa (aberturas de ventilação não bloqueadas)

Não instale esta unidade em local pouco ventilado, em local exposto a grande umidade, ou sob luz solar direta (ou forte iluminação artificial)



## Descartar-se do seu produto utilizado

A legislação da UE está implementada e cada estado membro exige que os produtos elétricos usados com a marca (deixada) devem ser descartados separadamente do lixo doméstico normal. Isto inclui monitores plasma e os seus acessórios elétricos. Quando se desfaz de tais produtos, siga as orientações da autoridade local e/ou informe-se junto da loja onde adquiriu o produto.

Após a recolha dos objetos, estes são reutilizados e reciclados de uma forma correta. Este esforço irá ajudar-nos a reduzir os desperdícios bem como o impacto negativo para a saúde pública e o ambiente no nível mínimo. A marca nos produtos elétricos e eletrônicos apenas se aplica aos Estados Membros da União Europeia.

## ATENÇÃO

Quando se estiver a desfazer das baterias usadas, obedeça aos regulamentos governamentais ou regras de de instruções públicas ambientais que se aplicam no seu país/ área.

## ATENÇÃO

Ao trocar as baterias, use somente baterias alcalinas convencionais não recarregáveis ou baterias de manganês (2). Risco de explosão se a bateria for substituída por um tipo incorreto. Descarte as baterias usadas de acordo com a legislação local.

# Instalação

Pode instalar suportes adicionais ao monitor plasma de uma das seguintes formas:

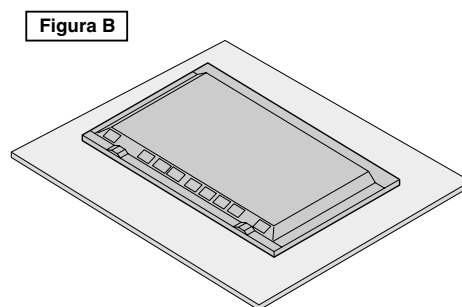
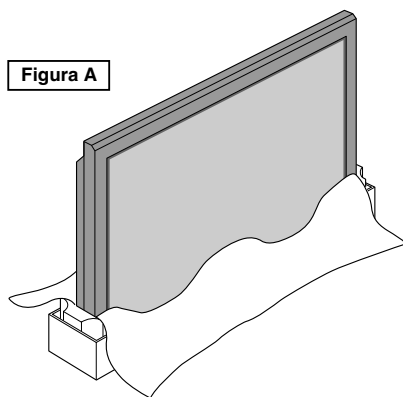
- \* Na vertical. (Ver figura A)
- \* Deitado com a tela virada para baixo (Ver figura B). Coloque a folha de proteção, a utilizada para envolver o monitor quando embalado, por baixo da superfície da tela para não riscar.
- \* Não toque nem segure no monitor pela tela sempre que o transportar.

- **Este dispositivo não pode ser instalado por si só. Utilize um suporte ou o encaixe original da unidade. (Unidade de suporte de parede, base, etc.)**
- **Para a instalação correta e montagem, recomendamos que contate um fornecedor treinado e autorizado.**  
O não cumprimento dos procedimentos corretos de montagem pode causar danos no equipamento ou lesões no instalador.  
A garantia do produto não cobre os danos causados por uma instalação incorreta.

## ATENÇÃO

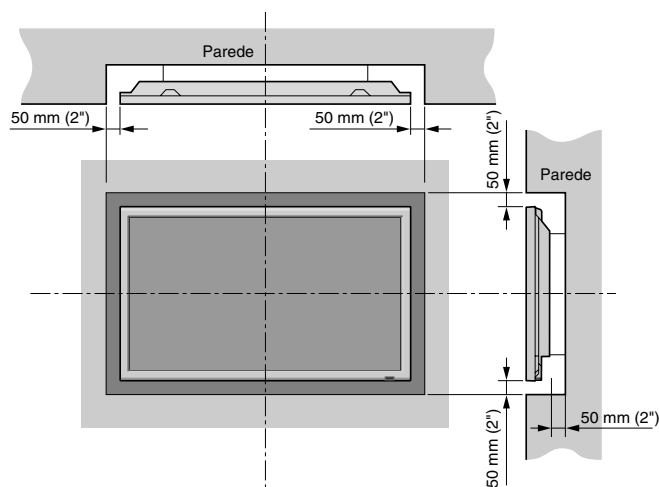
- **Instale o dispositivo seguindo o manual da unidade opcional.**
- **Instale o dispositivo em local estável e plano, suficientemente firme para suportar o peso.**
- **Use as braçadeiras especificadas para a instalação.**
- **Depois da instalação, tome medidas para evitar a sua queda.**
- **Remova ou instale o dispositivo sempre com auxílio de outra(s) pessoa(s).**

\* **Utilize apenas o conjunto de montagem ou suporte fornecido pelo fabricante e listado em Options.**



## Requisitos de ventilação para a montagem da caixa

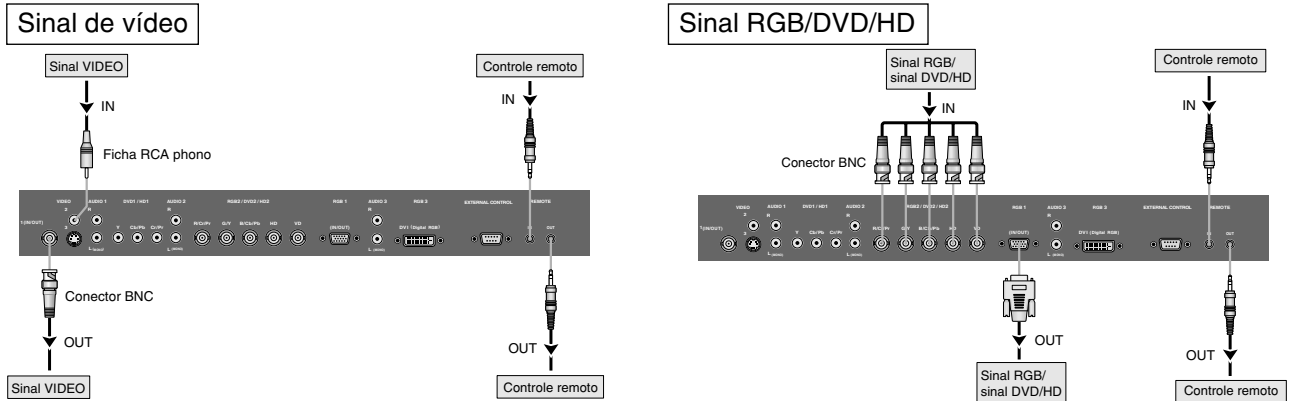
Para a dispersão do calor, deixe espaço entre os objetos envolventes como mostrado na figura aquando da instalação.



## Criar um vídeo-wall

Com a capacidade de visualização de matriz integrada, pode criar um vídeo-wall 2×2, 3×3, 4×4, 5×5, 5×1, 1×5.

- Ligue os cabos de sinal e os cabos remotos como abaixo indicado.



### Nota:

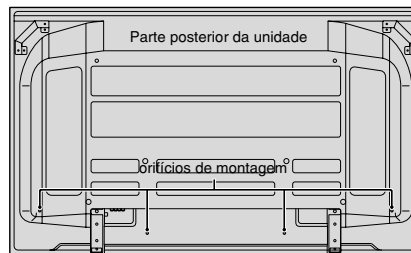
1. Os terminais VIDEO1 e RGB1 podem ser utilizados para INPUT ou OUTPUT. Quando LOOP OUT está LIGADO, não conecte um sinal OUTPUT de outra unidade; isso iria sobrecarregar a outra unidade podendo danificá-la.
2. LOOP OUT não pode ser LIGADO quando são enviados sinais para o terminal RGB1.
3. LOOP OUT pode ser LIGADO quando são enviados sinais para o terminal RGB1 se a corrente estiver conectada.

### Informação

- Para enviar sinais para outro plasma, defina LOOP OUT para LIGADO.
- Para criar um vídeo-wall, defina corretamente os itens de menu VÍDEO-WALL.
- Para conectar monitores, utilize um cabo BNC de 1 m a 2 m (qualquer cabo disponível comercialmente).
- Se a qualidade da imagem for fraca, não utilize o terminal de saída do monitor. Utilize um amplificador de distribuição (qualquer amplificador de distribuição disponível no mercado) para conectar sinais divididos aos terminais INPUT do respectivo monitor.
- Utilizado com a função de vídeo-wall, é standard um máximo de 4 telas com sinal inferior a 1024×768, 60 Hz.
- Recomendamos um amplificador de distribuição sempre que utilizar 3×3 telas e no vídeo-wall.
- Para enviar sinais de um plasma para outro, é necessário um cabo de conversão D-Sub – 5BNC de 15 pinos machos com 1 m a 2 m.

## Manuseamento do cabo

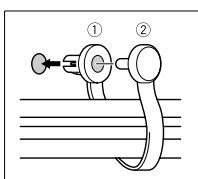
Usando os grampos de cabos e as cintas fornecidas com o monitor de plasma, enfeixe os cabos de sinal e de áudio na parte posterior da unidade para conectá-los ao monitor.



### Para prender

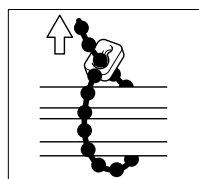
Insira ① no orifício de montagem, depois feche ② na parte posterior de ① para prender o grampo.

Os grampos são projetados para, uma vez fechados, serem difíceis de abrir. Prenda-os cuidadosamente. Os cabos podem ser direcionados para a direita ou para a esquerda.



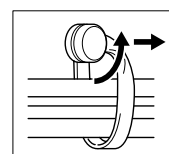
Enfeixe os cabos soltos e prenda-os com as cintas fornecidas.

Não faça pressão excessiva nas extremidades dos cabos.



### Para soltar

Usando um alicate, torça o grampo 90° e puxe-o para fora. Em alguns casos, o grampo pode se deteriorar com o tempo e ficar danificado quando removido.



## Precauções a ter quando o monitor plasma é instalado na vertical

- Utilize a unidade opcional. Contate o seu local de compra para a instalação.
- Rode 90° no sentido horário como visto a partir da parte frontal ao instalar.
- Após a instalação, verifique se a marca do logotipo NEC é vista na parte frontal.
- Certifique-se que define “ANGULO OSM” para “V” durante a utilização.
- \* O não cumprimento das precauções acima referidas pode causar mau funcionamento.

## Como utilizar o controle remoto

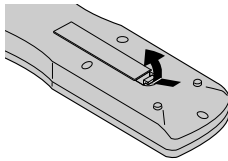
### Instalação e substituição das baterias

Pilhas indicadas:

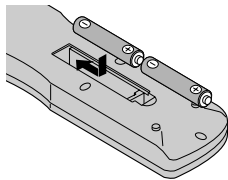
Utilize pilhas tamanho AAA (R03) ou AAA (LR03).

Insira 2 pilhas “AAA”, certificando-se que as coloca na polaridade correta.

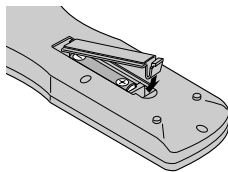
1. Pressione e abra a tampa.



2. Alinhe as baterias de acordo com a indicação ⊕ e ⊖ no interior do compartimento.



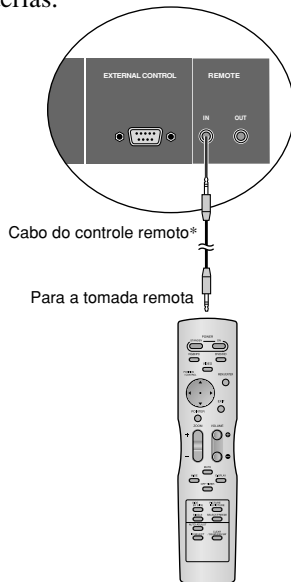
3. Volte a colocar a tampa.



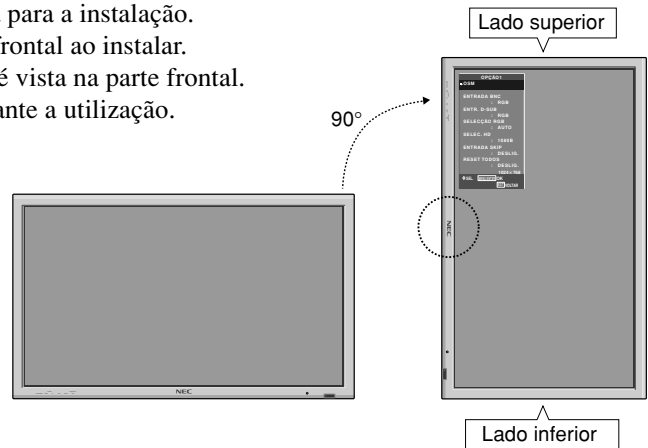
### Utilizar o modo de controle remoto com fios

Conecte o cabo remoto\* na tona remota do controle remoto e o terminal “REMOTE IN” no monitor. Quando o cabo estiver conectado, o modo muda automaticamente para o controle remoto com fios.

Quando é utilizado o modo de controle remoto com fios, o controle remoto pode ser operado mesmo que não estejam carregadas baterias.



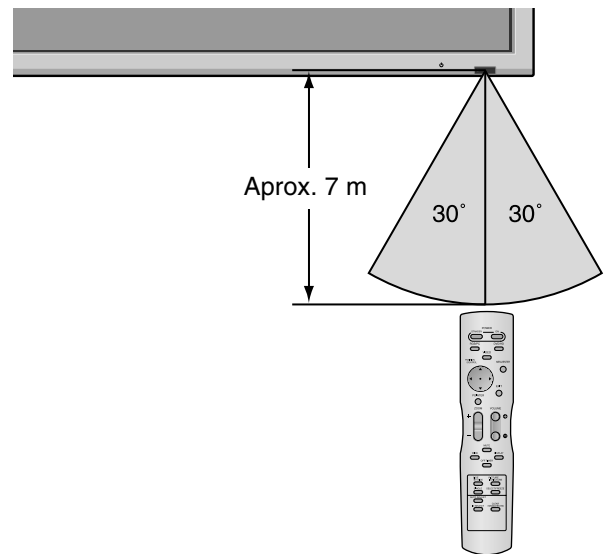
\* O mini cabo 1/8 Stereo deve ser adquirido separadamente.



### Alcance de funcionamento

\* Utilize o controle remoto numa distância até 7 m a partir da parte da frente do sensor do controle remoto do monitor e nso angulos horizontal e vertical até cerca de 30°.

\* A operação do controle remoto poderá não funcionar se o sensor do controle remoto do monitor estiver exposto à luz direta do sol ou a forte luz artificial, ou caso exista um obstáculo entre o sensor e o controle remoto.



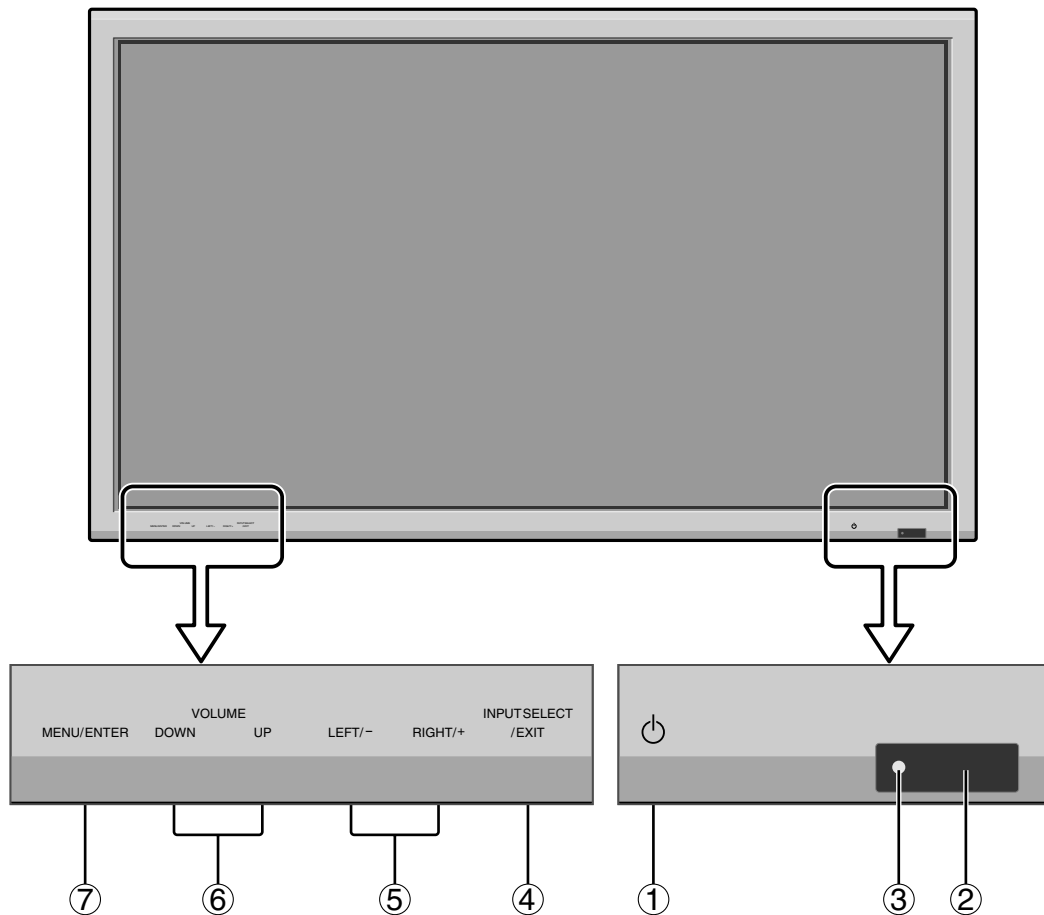
### CUIDADO

- Utilize somente as pilhas especificadas.
- Assegure-se de inserir corretamente as pilhas, de acordo com as indicações de ⊕ e ⊖.
- Não deixe cair nem utilize incorretamente o controle remoto.
- Não molhe o controle remoto. Se o controle rmeoto ficar molhado, seque-o imediatamente.
- Evite o calor e a umidade.
- Quando não utilizar o controle remoto durante um longo período de tempo, remova as baterias.
- Não utilize ao memso tempo baterias novas e antigas nem utilize baterias de tipos diferentes.
- Não abandone as baterias, não as aqueça nem as atire para o fogo.
- Sempre que utilizar o controle rmeoto no modo sem fios, desconecte o cabo remoto do terminal REMOTE IN no monitor.



# Nomes de peças e função

## Vista frontal

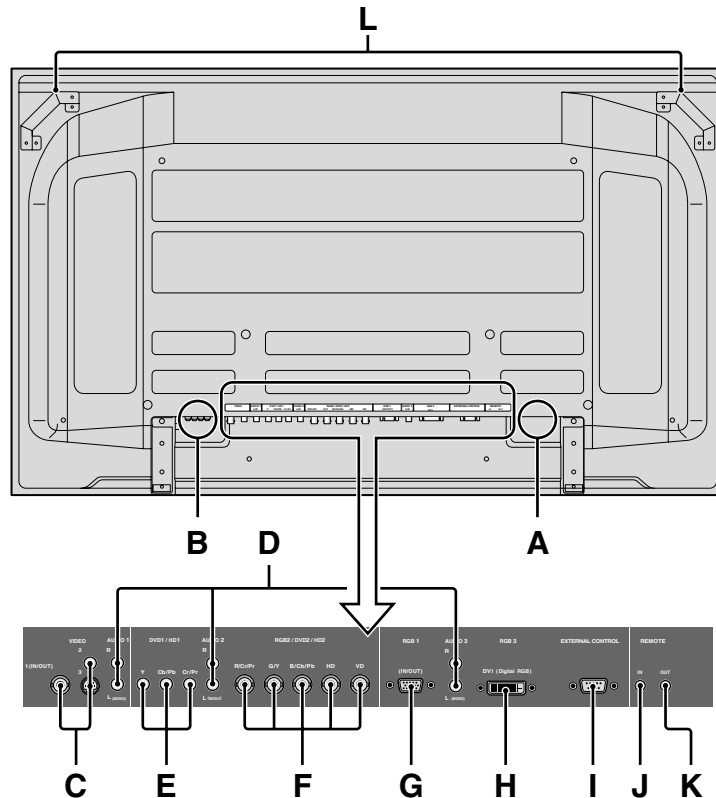


- ① **Power**  
Liga e desliga o monitor.
- ② **Janela do sensor remoto**  
Recebe sinais do controle remoto.
- ③ **Indicador POWER/STANDBY**  
Quando ligado ..... Acende a verde.  
Quando no modo de standby ... Acende a vermelho.
- ④ **INPUT SELECT / EXIT**  
Ativa a entrada.  
Funciona como botões EXIT no modo de menu no écran (OSM).
- ⑤ **LEFT/- e RIGHT/+**  
Funciona como os botões CURSOR (◀/▶), e usado para ajustar os parâmetros da imagem no modo Menu na Tela (OSM).
- ⑥ **VOLUME DOWN e UP**  
Ajusta o volume.  
Funciona como botões CURSOR (▲/▼) no modo de menu no écran (OSM).
- ⑦ **MENU/ENTER**  
Define o modo de menu na tela (OSM) e visualiza o menu principal.

### **AVISO**

O interruptor de conexão/desconexão não desconecta completamente o monitor plasma da corrente elétrica.

## Vista posterior/Placa de terminais



### A AC IN

Conecte o cabo de alimentação incluído aqui.

### B EXT SPEAKER L e R

Conecte as colunas (opcional) aqui. Siga a polaridade correta. Conecte o fio da coluna  $\oplus$  (positivo) ao terminal  $\oplus$  EXT SPEAKER e o fio da coluna  $\ominus$  (negativo) ao terminal  $\ominus$  EXT SPEAKER em ambos os canais LEFT e RIGHT. Consulte o manual do usuário das colunas.

### C VIDEO1, 2, 3 (BNC, RCA, S-Video)

Conecte VCRs, DVDs ou câmeras de vídeo, etc. aqui. VIDEO1 pode ser utilizado como entrada ou saída.

### D AUDIO1, AUDIO2, AUDIO3

Estes são terminais de entrada de áudio. A entrada é selecionável. Defina a que imagem de vídeo os deseja alocar a partir da tele do menu de áudio.

### E DVD1 / HD1

Conecte DVDs, discos de alta definição ou laser, etc. aqui.

### F RGB2/ DVD2/ HD2

RGB2: Pode conectar um sinal RGB análogo e o sinal de sincronização.

DVD2/ HD2: Pode conectar DVDs, discos de alta definição e laser, etc. aqui. Esta entrada pode ser definida para utilização com um RGB ou fonte de componente.

### G RGB1 (mini D-Sub 15 pinos)

Conecte um sinal RGB análogo a partir de um computador, etc. aqui. Esta entrada pode ser utilizada como entrada e saída.

### H RGB3 (DVI 24 pinos)

Conecte um sinal digital (TMDS) a partir de uma fonte com uma saída DVI. Esta entrada pode ser definida para utilização com um RGB3.

### I EXTERNAL CONTROL

Este terminal é utilizado sempre que operar e controlar o monitor externamente (através do RS-232C).

### J REMOTE IN

Conecte o cabo remoto à tomada remota do controle remoto para obter um controle remoto com fios.

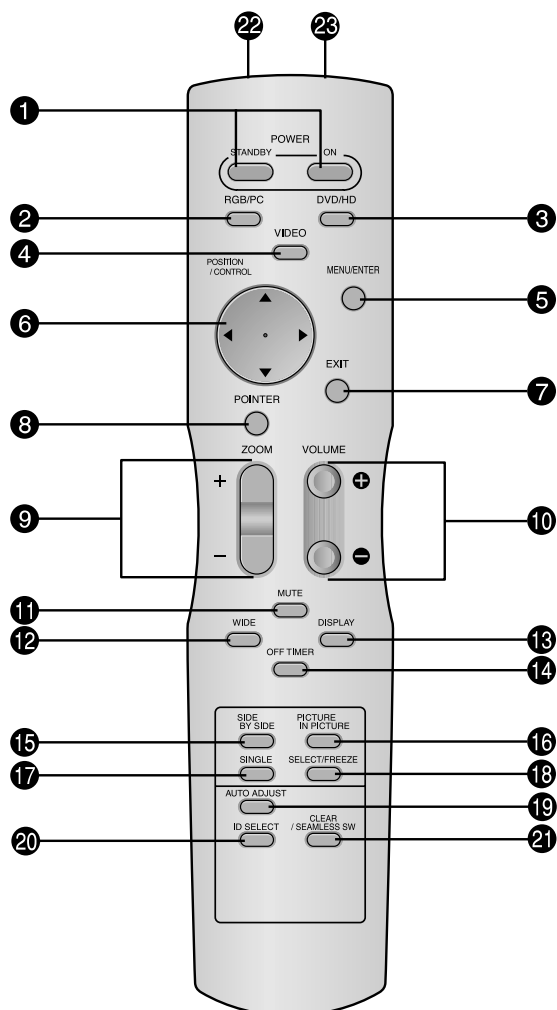
### K REMOTE OUT

Conecte o cabo remoto à tomada REMOTE IN de outro monitor para obter um controle remoto com fios.

### L Alças

Use para instalar ou transportar o monitor de plasma.

## Controle remoto



### 1 POWER ON/STANDBY

Permite ligar ou colocar em standby.  
(Isto não funciona quando o indicador POWER/  
STANDBY da unidade principal estiver desligado.)

### 2 RGB / PC

Pressione este botão para selecionar RGB/PC como fonte.  
RGB/PC também pode ser selecionado utilizando o botão INPUT SELECT no monitor.

### 3 DVD / HD

Pressione este botão para selecionar DVD/HD como fonte.  
DVD/HD também pode ser selecionado utilizando o botão INPUT SELECT no monitor.

### 4 VIDEO

Pressione este botão para selecionar VIDEO como fonte.

→ VIDEO1 → VIDEO2 → VIDEO3

VIDEO também pode ser selecionado utilizando o botão INPUT SELECT no monitor.

### 5 MENU/ENTER

Pressione este botão para acessar aos controles OSM.  
Pressione este botão durante a visualização do menu principal para passar ao submenu.

### 6 CURSOR (▲ / ▼ / ◀ / ▶)

Utilize estes botões para selecionar itens ou definições e para ajustar as definições ou mudar os modelos de écran.

### 7 EXIT

Pressione este botão para sair dos controles OSM no menu principal. Pressione este botão durante a visualização do submenu para voltar ao menu anterior.

### 8 POINTER

Pressione este botão para visualizar o cursor.

### 9 ZOOM (+ / -)

Aumenta ou reduz a imagem.

### 10 VOLUME (+ / -)

Ajusta o volume.

### 11 MUTE

Emudece o som.

### 12 WIDE

Pressione este botão para selecionar e trocar os tamanhos de tela. O botão WIDE não está ativo para todos os sinais.

### 13 DISPLAY

Visualiza as definições da fonte no écran.

### 14 OFF TIMER

Ativa o temporizador de desligar a unidade.

### 15 SIDE BY SIDE

Pressione este botão para mostrar algumas imagens no modo lado-a-lado.

### 16 PICTURE IN PICTURE

Pressione este botão para mostrar algumas imagens no modo imagem-na-imagem.

### 17 SINGLE

Cancela o modo de écran dividido.

### 18 SELECT/FREEZE

Pressione este botão para selecionar a imagem ativa no modo de écran dividido.  
Quando a função IMG. FIXA está ativa, este botão pode ser utilizado para visualizar imagens estáticas no sub écran.

### 19 AUTO ADJUST

Pressione este botão para ajustar AJUSTE FINO, AJUSTE IMAG., POSIÇÃO, e CONTRASTE automaticamente, ou para mudar o tamanho do écran para o modo ZOOM automaticamente com a legenda sobreposta visualizada na totalidade apenas quando a imagem incluir áreas escuras em cima ou em baixo da imagem.

### 20 ID SELECT

Defina o número de identificação no controle remoto. O controle remoto pode então ser utilizado apenas para um écran com o mesmo número de identificação. Quando são utilizados vários écrans ao mesmo tempo, estes podem ser controlados individualmente.

### 21 CLEAR/SEAMLESS SW

Apaga o número definido pelo botão ID SELECT. Quando a função TROCA RÁPIDA está ativa, este botão pode ser utilizado para mudar rapidamente a fonte de entrada.

### 22 Transmissor de sinal do controle remoto

Transmite os sinais do controle remoto.

### 23 Tomada remota

Insira a ficha do cabo remoto (mini cabo 1/8 Stereo) aqui sempre que utilizar o controle remoto fornecido no modo com fios.

# Operações básicas

## POWER

### Para ligar (ON) e desligar (OFF) a unidade:

1. Ligue o cabo de corrente a uma tomada CA ativa.
2. Pressione o botão de corrente (na unidade).  
O indicador POWER/STANDBY do monitor ilumina-se em vermelho e o modo de prontidão é definido.
3. Pressione o botão POWER ON (no controle remoto) para ligar a unidade.  
O indicador POWER/STANDBY irá iluminar-se (em verde) quando a unidade estiver ligada.
4. Pressione o botão POWER STANDBY button (no controle remoto) ou o botão de corrente (na unidade) para desligar a unidade.  
O indicador POWER/STANDBY fica vermelho e o estado de prontidão é definido (apenas quando se desliga a unidade com o controle remoto).

## VOLUME

### Para ajustar o volume:

1. Mantenha pressionado VOLUME ⊕ (no controle remoto ou na unidade) para aumentar para o nível desejado.
2. Mantenha pressionado VOLUME ⊖ (no controle remoto ou na unidade) para diminuir para o nível desejado.

## MUTE

### Para emudecer o som:

Pressione o botão MUTE no controle remoto para emudecer o som; pressione novamente para restaurar.

## DISPLAY

### Para verificar as definições:

1. Pressione o botão DISPLAY para aparecer o modo de exibição.
2. Se o botão não for premido durante aproximadamente três segundos, o menu desaparece.

## DIGITAL ZOOM

O zoom digital especifica a posição da imagem e aumenta a figura.

1. (Certifique-se que NAV. ZOOM está desligado.)  
Pressione o botão POINTER para visualizar o cursor. (☞)

### Para alterar o tamanho da imagem:

Pressione o botão ZOOM + e amplie a imagem.  
O cursor irá mudar ficando semelhante a uma lupa. (🔍)  
Se pressionar o botão ZOOM – irá reduzir a imagem e fazê-la voltar ao tamanho original.

### Para alterar a posição da imagem:

Selecione a posição com os botões ▲▼◀▶.

2. Pressione o botão POINTER para deletar o cursor.

## AUTO ADJUST

### Ajustar o tamanho ou qualidade da imagem automaticamente:

Pressione o botão AUTO ADJUST.

### Informação

#### ■ Definição AUTO ADJUST ON

Quando a introdução RGB (imagem parada) for selecionada: AJUSTE FINO, AJUSTE IMAG., POSIÇÃO, e CONTRASTE serão ajustados automaticamente.

Quando a introdução RGB (imagem parada), VIDEO ou Y/Pb/Pr (componente) for selecionada: O tamanho do écran muda para o modo ZOOM automaticamente com a legenda

imposta a ser visualizada completamente apenas quando a imagem contiver áreas a negro por cima e por baixo a imagem.

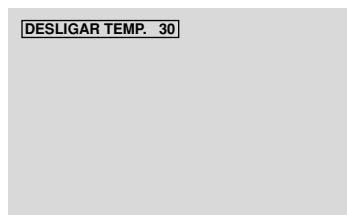
## OFF TIMER

### Para configurar o temporizador de desligar:

O temporizador de desligar pode ser definido para desligar após 30, 60, 90 ou 120 minutos.

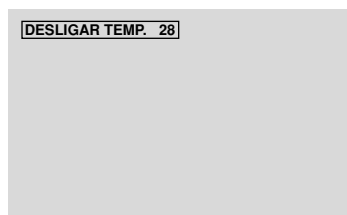
1. Pressione o botão OFF TIMER para iniciar o temporizador em 30 minutos.
2. Pressione o botão OFF TIMER para o tempo desejado.
3. O temporizador inicia quando o menu desaparecer.

→ 30 → 60 → 90 → 120 → 0



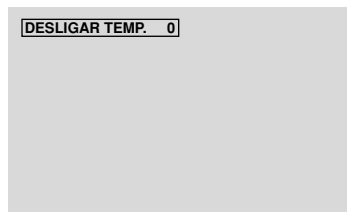
### Para verificar o tempo restante:

1. Após o temporizador de desligar ter sido definido, pressione o botão OFF TIMER uma vez.
2. É visualizado o tempo restante, de seguida desliga-se após alguns segundos.
3. Quando faltarem cinco minutos o tempo restante irá aparecer até chegar a zero.



### Para cancelar o temporizador de desligar:

1. Pressione o botão OFF TIMER duas vezes seguidas.
2. O temporizador de desligar é cancelado.



### Nota:

Após a corrente ser desligada com o temporizador de desligar ...  
Ainda fica aplicada uma pequena corrente ao monitor.  
Quando deixar a sala ou não planejar utilizar o sistema durante muito tempo, desligue a alimentação do monitor.

# Controles OSM (Menu no écran)

## Operações do Menu

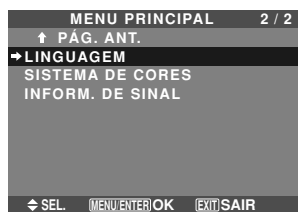
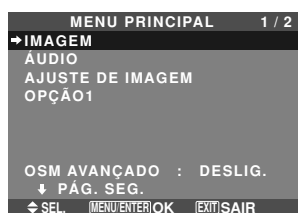
A janela OSM é visualizada com respeito ao écran como mostrado no diagrama.

- \* Dependendo do modo do écran, o OSM pode ser visualizado de forma diferente.  
Na explicação, a seção OSM é mostrada em destaque.

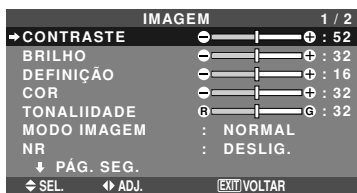


A secção seguinte descreve a forma como utilizar os menus e os itens seleccionados.

1. Pressione o botão MENU/ENTER no controle remoto para visualizar o MENU PRINCIPAL.



2. Pressione os botões de cursor ▲▼ no controle remoto para realçar o menu que deseja introduzir.
3. Pressione o botão MENU/ENTER no controle remoto para seleccionar um submenu ou item.



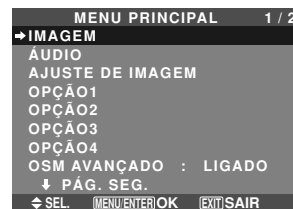
4. Ajuste o nível ou altere a definição do item selecionado utilizando os botões do cursor ◀▶ no controle remoto.
  5. Os ajustes ou definições que estão guardados em memória. A alteração é armazenada até que a altere novamente.
  6. Repita passos 2 – 5 para ajustar ao item adicional, ou pressione o botão EXIT no controle remoto para voltar ao menu principal.
- \* Quando estiver a ajustar utilizando a barra no fundo do écran, pressione o botão ◀ ou ▶ em 5 segundos. Se não, a definição corrente é definida e aparece a imagem anterior.

**Nota:** Este menu principal desaparece pressionando o botão EXIT.

## Informação

### ■ Modo menu avançado

Quando estiver definido “OSM AVANÇADO” para “LIGADO” no menu principal (1/2), serão mostrados todos os itens de menu.



- \* A tela real pode ser diferente das que aparecem neste manual.

## Árvore do Menu

\* Para mais detalhes acerca de cada item do menu, consulte o CD-ROM.

■ : As áreas sombreadas indicam o valor pré-definido.

←→+ : Pressione o botão ◀ ou ▶ para ajustar.

□ : Os itens de menu estão numa caixa ordenada quando OSM AVANÇADO estiver definido para LIGADO.

Menu principal	Submenu	Submenu 2	Submenu 3	Submenu 4	RESET	ANGULO OSM "V"	REFERENCE	
IMAGEM	CONTRASTE	←→+ 0←52→72			SIM	SIM	Po-21	
	BRILHO	←→+ 0←32→64			SIM	SIM	Po-21	
	DEFINIÇÃO	←→+ 0←16→32			SIM	SIM	Po-21	
	COR	←→+ 0←32→64			SIM	SIM	Po-21	
	TONALIDADE	R←→G 0←32→64			SIM	SIM	Po-21	
	MODO IMAGEM	BRILHO/NORMAL/CINEMA1/CINEMA2/PADRÃO			SIM	SIM	Po-21	
	NR	DESLIG./NR-1/NR-2/NR-3			SIM	SIM	Po-21	
	TEMP. DE COR	BAIXO -/BAIXO +/MÉDIO/ALTO			SIM	SIM	Po-21	
	<b>BALANÇO DE BRANCOS</b>	LUM. VERMELHO	←→+ 0←40→70			SIM	NÃO	Po-22
		LUM. VERDE	←→+ 0←40→70			SIM	NÃO	Po-22
		LUM. AZUL	←→+ 0←40→70			SIM	NÃO	Po-22
		CONT. VERM.	←→+ 0←40→70			SIM	NÃO	Po-22
		CONT. VERDE	←→+ 0←40→70			SIM	NÃO	Po-22
		CONT. AZUL	←→+ 0←40→70			SIM	NÃO	Po-22
		RESET	DESLIG.←→LIGADO			SIM	NÃO	Po-22
	<b>GAMA</b>		1←→2←→3←→4			SIM	NÃO	Po-22
	<b>TOM BAIXO</b> *4		MODO1←→MODO2			SIM	NÃO	Po-22
	<b>AFINAR COR</b>	VERMELHO	A←→M 0←32→64			SIM	NÃO	Po-22
		VERDE	C←→A 0←32→64			SIM	NÃO	Po-22
		AZUL	M←→C 0←32→64			SIM	NÃO	Po-22
		AMARELO	V←→V 0←32→64			SIM	NÃO	Po-22
		MAGENTA	V←→A 0←32→64			SIM	NÃO	Po-22
		CIAN	A←→V 0←32→64			SIM	NÃO	Po-22
	RESET	DESLIG.←→LIGADO			SIM	NÃO	Po-22	

Menu principal	Submenu	Submenu 2	Submenu 3	Submenu 4	RESET	ANGULO OSM "V"	REFERENCE
ÁUDIO	GRAVES	←→+ 0←13→26			SIM	SIM	Po-23
	AGUDOS	←→+ 0←13→26			SIM	SIM	Po-23
	BALANÇO	L←→R -22←0→+22			SIM	SIM	Po-23
	AUDIO INPUT1	VÍDEO 1-3 / DVD/HD 1-2 / RGB 1-3			SIM	SIM	Po-23
	AUDIO INPUT2	VÍDEO 1-3 / DVD/HD 1-2 / RGB 1-3			SIM	SIM	Po-23
	AUDIO INPUT3	VÍDEO 1-3 / DVD/HD 1-2 / RGB 1-3			SIM	SIM	Po-23

Menu principal	Submenu	Submenu 2	Submenu 3	Submenu 4	RESET	ANGULO OSM "V"	REFERENCE
AJUSTE DE IMAGEM	MODO ASPECTO	NORMAL/COMPLETO/ESTÁDIO/ZOOM/2.35:1/14:9/UNDERSCAN/REAL*3			—	SIM	Po-23
	POSIÇÃO-V	←→+ -64←0→+64			SIM	SIM	Po-23
	POSIÇÃO-H	←→+ -128←0→+127			SIM	SIM	Po-23
	ALTURA-V	←→+ 0←→64			SIM	SIM	Po-23
	LARGURA-H	←→+ 0←→64			SIM	SIM	Po-23
	IMAGEM AUTO	DESLIG.←→LIGADO*2			NÃO	SIM	Po-23
	AJUSTE FINO*1	←→+ *2 0←→64			SIM	SIM	Po-23
	AJUSTE IMAG.*1	←→+ *2 0←→64			SIM	SIM	Po-23
	<b>UNDERSCAN</b>	DESLIG.←→LIGADO			SIM	NÃO	Po-23

Menu principal	Submenu	Submenu 2	Submenu 3	Submenu 4	RESET	ANGULO OSM "V"	REFERENCE
OPÇÃO1	OSM	VISOR OSM	DESLIG.←→LIGADO		SIM	SIM	Po-24
		AJUSTE OSM	1←→6		SIM	SIM	Po-24
		ANGULO OSM	H←→V		SIM	SIM	Po-24
		ROTAÇÃO OSM	DESLIG.←→LIGADO		SIM	SIM	Po-24
		CONTR. OSM	BAIXO←→NORMAL		SIM	SIM	Po-24
		ENTRADA BNC	RGB←→COMP.		SIM	SIM	Po-24
	ENTR. D-SUB	RGB		—	SIM	Po-24	
	SELECÇÃO RGB	AUTO		SIM	SIM	Po-24	
	SELEC. HD	1080B/1035I/1080A		NÃO	SIM	Po-25	
	ENTRADA SKIP	DESLIG.←→LIGADO		SIM	SIM	Po-25	
	RESET TODOS	DESLIG.←→LIGADO		—	SIM	Po-25	

Menu principal	Submenu	Submenu 2	Submenu 3	Submenu 4	RESET	ANGULO OSM "V"	REFERENCE	
OPÇÃO2	CONF. ENERGIA	DESLIG.←→LIGADO			SIM	NÃO	Po-26	
	MODO CINEMA	DESLIG.←→LIGADO			SIM	NÃO	Po-26	
	LONG. DURAÇÃO	PLE	AUTO/FIXAR1/FIXAR2/FIXAR3			SIM	NÃO	Po-26
		ROTAÇÃO	AUTO 1			SIM	NÃO	Po-27
			AUTO 2			SIM	NÃO	Po-27
			MANUAL	PIXEL-H/LINHA-V/TEMPO		SIM	NÃO	Po-27
			DESLIG.			SIM	NÃO	Po-27
		INVERSÃO	DESLIG.			SIM	NÃO	Po-27
			LIGADO	TEMP. FUNC./TEMP. ESPERA		SIM	NÃO	Po-27
			BRANCO			SIM	NÃO	Po-27
		VARRER ÉCRAN	DESLIG.			SIM	NÃO	Po-28
			LIGADO	TEMP. FUNC./TEMP. ESPERA/VELOCIDADE		SIM	NÃO	Po-28
		SOFT FOCUS	DESLIG./1/2/3/4			SIM	NÃO	Po-28
	NÍV. CINZA	0←→3←→15				SIM	NÃO	Po-28
	S1/S2	AUTO←→DESLIG.				SIM	NÃO	Po-29
	TAM. IMAGEM*3	DESLIG.←→LIGADO				SIM	NÃO	Po-29
	CONF. DVI	PLUG/PLAY	PC←→STB/DVD			NÃO	NÃO	Po-29
		NÍVEL PRETO	BAIXO←→ALTO			NÃO	NÃO	Po-29
	PROTOCOLO	DESLIG.←→LIGADO				SIM	NÃO	Po-29
	SUBTÍTULO	DESLIG.←→CC1-4←→TEXT01~4				SIM	NÃO	Po-30
CONT. SUBT.	BAIXO←→NORMAL				SIM	NÃO	Po-30	

Menu principal	Submenu	Submenu 2	Submenu 3	Submenu 4	RESET	ANGULO OSM "V"	REFERENCE	
OPÇÃO3	TEMPORIZADOR	TEMPO REAL	HORA VERÃO	DESLIG.←→LIGADO	NÃO	NÃO	Po-30	
			DIA/HORA/MINUTOS		NÃO	NÃO	Po-30	
		TEMPORIZADOR	DESLIG.			SIM	NÃO	Po-31
			PROGRAM	DATA/LIG./DESL.(HORA, MINUTOS)/ENTR./FUNÇ.		SIM	NÃO	Po-31
			REPETIR	IMPLES/MULTI/VÍDEO-W		SIM	NÃO	Po-31
	MODO LIGADO	ENTRADA	ÚLTIMO/MULTI/ VÍDEO 1-3 / DVD/HD 1-2 / RGB 1-3			SIM	NÃO	Po-32
		VOLUME	ÚLTIMO←→0←→42			SIM	NÃO	Po-32
	CONTROL BLOQ.	DESLIG.←→LIGADO				SIM	NÃO	Po-32
	CONTROLO IV	DESLIG.←→LIGADO				SIM	NÃO	Po-33
	LOOP OUT	DESLIG.←→LIGADO				SIM	NÃO	Po-33
	ID CONTROLO	TDS←→1←→4				NÃO	NÃO	Po-33
	NÚMERO ID	TDS←→1←→256				SIM	NÃO	Po-33
	VÍDEO-WALL	DIVISOR	DESLIG./1/2×2/3×3/4×4/5×5/1/1×5			SIM	NÃO	Po-34
		POSIÇÃO	No.1←→No.4/No.7←→No.15/No.16←→No.31/No.32←→No.56			—	NÃO	Po-34
		MODO ÉCRAN	DIVIDIR←→BRANCO			SIM	NÃO	Po-34
		AUTO ID	DESLIG.←→LIGADO			SIM	NÃO	Po-35
		AJUSTE IMAG.	MODO ASPECTO	NORMAL/COMPLETO/ESTÁDIO/ZOOM/2.35:1/14:9/UNDERSCAN/REAL*3		—	NÃO	Po-35
			POSIÇÃO-V/POSIÇÃO-H/ALTURA-V/LARGURA-H/IMAGEM AUTO/ AJUSTE FINO*/AJUSTE IMAG.*1/UNDERSCAN					
		ATRASO START	DESLIG./LIGADO/MODO1/MODO2			SIM	NÃO	Po-35
		LIGAÇÃO PLE	DESLIG.←→LIGADO			SIM	NÃO	Po-35

Menu principal	Submenu	Submenu 2	Submenu 3	Submenu 4	RESET	ANGULO OSM "V"	REFERENCE	
OPÇÃO4	SUB. IMAGEM	DET. IMAG SEC.	DESLIG.←→AUTO		SIM	NÃO	Po-36	
		TAMANHO	20%←→100%		SIM	NÃO	Po-36	
		ECRAN	JUNTAS←→NORMAL		SIM	NÃO	Po-36	
	NAV. ZOOM	DESLIG.←→S BY S←→INF. ESQ←→INF. DER←→SUP. DER←→SUP. ESQ				SIM	NÃO	Po-36
	IMG. FIXA	DESLIG.←→S BY S1←→S BY S2←→INF. ESQ←→INF. DER←→SUP. DER←→SUP. ESQ				SIM	NÃO	Po-37
	TROCA RÁPIDA	DESLIG.				SIM	NÃO	Po-37
		LIGADO	SELEC.1/SELEC.2			SIM	NÃO	Po-37
	INSERT. TEXT	DESLIG./INF.-1/INF.-2/INF.-3/BAIXO/MEIO/SUP.-3/SUP.-2/SUP.-1/ESQUERDA/DIREITA				SIM	NÃO	Po-38
		ENTRADA/DET. IMG. SEC./TAMANHO/ECRAN				SIM	NÃO	Po-38

Menu principal	Submenu	Submenu 2	Submenu 3	Submenu 4	RESET	ANGULO OSM "V"	REFERENCE
OSM AVANÇADO	DESLIG.←→LIGADO				SIM	NÃO	Po-38
LINGUAGEM	ENGLISH/DEUTSCH/FRANÇAIS/ESPAÑOL/ITALIANO/SVENSKA/РУССКИЙ/PORTUGUÊS				NÃO	NÃO	Po-38
SISTEMA DE CORES	AUTO/3.58 NTSC/4.43 NTSC/PAL/PAL 60/PAL-N/PAL-M/SECAM				NÃO	SIM	Po-39
INFORM. DE SINAL	—				—	SIM	Po-39

\*1 Apenas quando IMAGEM AUTO estiver DESLIG.

\*2 Apenas RGB.

\*3 "TAM. IMAGEM" e "REAL" são somente para os modelos de 50 e 60 polegadas.

\*4 "TOM BAIXO" é somente para o modelo de 50 polegadas.

## Informação

### ■ Restaurar todas as pré-definições do fabricante

Selecione "RESET TODOS" no menu OPÇÃO1. Note que isto também restaura outras definições para as pré-definições do fabricante.

# Resolução de problemas

Se a qualidade de imagem é fraca ou se existir qualquer outro problema, verifique os ajustamentos, funcionamento, etc., antes de solicitar assistência.

Sintoma	Verificações	Solução
A unidade emite um ruído de estalos.	<ul style="list-style-type: none"> <li>A imagem e o som estão normais?</li> </ul>	<ul style="list-style-type: none"> <li>Se não existirem anomalias na imagem e no som, o ruído é causado pela reação do compartimento às alterações de temperatura. Isto não afeta o desempenho.</li> </ul>
A imagem está perturbada. Som é ruidoso. O controle remoto funciona mal.	<ul style="list-style-type: none"> <li>Está algum componente conectado diretamente na frente ou ao lado do monitor?</li> </ul>	<ul style="list-style-type: none"> <li>Deixe algum espaço entre o monitor e os componentes conectados.</li> </ul>
O controle remoto não funciona.	<ul style="list-style-type: none"> <li>As baterias do controle remoto estão gastas?</li> <li>CONTROLO IV está definido para LIGADO?</li> <li>Foi definido um número de ID para a unidade principal?</li> </ul>	<ul style="list-style-type: none"> <li>Substitua ambas as baterias por novas.</li> <li>Ajuste CONTROLO IV DESLIG. no menu OPÇÃO3.</li> <li>Defina um número ID, com o botão ID SELECT, ou defina o número ID para TDS.</li> </ul>
O monitor não liga, quando se pressiona o botão no controle remoto.	<ul style="list-style-type: none"> <li>O cabo de conexão do monitor está conectado em uma tomada de corrente?</li> <li>Todos os indicadores do monitor estão desligados?</li> <li>As baterias do controle remoto estão gastas?</li> <li>CONTROLO IV está definido para DESLIG.?</li> <li>Foi definido um número de ID para a unidade principal?</li> </ul>	<ul style="list-style-type: none"> <li>Ligue o cabo de conexão do monitor numa tomada de corrente?</li> <li>Pressione o botão de corrente no monitor, para ligar a energia.</li> <li>Substitua ambas as baterias por novas.</li> <li>Defina CONTROLO IV LIGADO.</li> <li>Defina um número ID, com o botão ID SELECT, ou defina o número ID para TDS.</li> </ul>
O monitor não funciona, quando se pressionam os botões no controle remoto.	<ul style="list-style-type: none"> <li>O controle remoto está apontado para o monitor, ou existe algum obstáculo entre o controle remoto e o monitor?</li> <li>A luz direta do sol ou uma luz artificial forte está a incidir no sensor do controle remoto do monitor?</li> <li>As baterias do controle remoto estão gastas?</li> <li>O cabo remoto está conectado no terminal REMOTE IN (com fios).</li> </ul>	<ul style="list-style-type: none"> <li>Aponte o controle remoto ao sensor de controle remoto do monitor quando pressionar os botões, ou remova o obstáculo.</li> <li>Elimine a luz, fechando as cortinas, apontando a luz para outra direção, etc.</li> <li>Substitua ambas as baterias por novas.</li> <li>Desligue o cabo remoto do monitor.</li> </ul>
Os botões do painel frontal da unidade principal não funcionam.	<ul style="list-style-type: none"> <li>Os botões do painel frontal não funcionam durante o CONTROL BLOQ.</li> </ul>	<ul style="list-style-type: none"> <li>Defina o CONTROL BLOQ. para DESLIG.</li> </ul>
Não é produzido som ou imagem.	<ul style="list-style-type: none"> <li>O cabo de conexão do monitor está ligado numa tomada de corrente?</li> </ul>	<ul style="list-style-type: none"> <li>Ligue o cabo de conexão do monitor numa tomada de corrente.</li> </ul>
Aparece a imagem, mas não é produzido som.	<ul style="list-style-type: none"> <li>O volume está ajustado no mínimo?</li> <li>Está definido o modo de emudecimento?</li> <li>As colunas estão devidamente conectadas?</li> <li>AUDIO INPUT está ajustado corretamente?</li> </ul>	<ul style="list-style-type: none"> <li>Aumente o volume.</li> <li>Pressione o botão MUTE do controle remoto.</li> <li>Conecte devidamente as colunas.</li> <li>Defina corretamente AUDIO INPUT no menu ÁUDIO.</li> </ul>
Imagem fraca com sinal de entrada VIDEO.	<ul style="list-style-type: none"> <li>Ajustes de controle indevidos.</li> <li>Interferência local.</li> <li>Interconexões do cabo.</li> <li>A impedância de entrada não está no nível correto.</li> </ul>	<ul style="list-style-type: none"> <li>Ajuste o controle de imagem conforme o necessário. Experimente outra localização para o monitor. Certifique-se que todas as conexões estão seguras.</li> </ul>
Imagem fraca com sinal de entrada RGB.	<ul style="list-style-type: none"> <li>Ajustes de controle indevidos.</li> <li>Conexões incorretas no conector de 15 pinos.</li> </ul>	<ul style="list-style-type: none"> <li>Ajuste os controles de imagem conforme o necessário. Verifique a posição dos pinos e as conexões.</li> </ul>
O tom é pobre ou as cores são fracas.	<ul style="list-style-type: none"> <li>O tom e as cores estão devidamente ajustados?</li> </ul>	<ul style="list-style-type: none"> <li>Ajuste o tom e as cores (em IMAGEM).</li> </ul>
Nada aparece no écran.	<ul style="list-style-type: none"> <li>A corrente do computador está ligada?</li> <li>Está conectada uma fonte?</li> <li>A função de gerenciamento de energia está no modo estado de prontidão ou desligada?</li> <li>LOOP OUT está ajustado para LIGADO?</li> </ul>	<ul style="list-style-type: none"> <li>Ligue a corrente do computador.</li> <li>Conecte a fonte ao monitor.</li> <li>Funcione com o computador (mova o rato, etc.).</li> <li>Defina LOOP OUT DESLIG.</li> </ul>
Parte da imagem é cortada ou a imagem não está centrada.	<ul style="list-style-type: none"> <li>A posição está devidamente ajustada?</li> </ul>	<ul style="list-style-type: none"> <li>Ajuste corretamente AJUSTE DE IMAGEM.</li> </ul>
A imagem é muito grande ou muito pequena.	<ul style="list-style-type: none"> <li>O tamanho do écran está devidamente ajustado?</li> </ul>	<ul style="list-style-type: none"> <li>Pressione o botão WIDE no controle remoto e ajuste devidamente.</li> </ul>
A imagem está instável.	<ul style="list-style-type: none"> <li>A resolução do computador está devidamente ajustada?</li> </ul>	<ul style="list-style-type: none"> <li>Defina a resolução apropriada.</li> </ul>
O indicador POWER/STANDBY está iluminado em vermelho.	<ul style="list-style-type: none"> <li>A sincronização de sinal horizontal e / ou vertical não está presente quando o controle de Intelligent Power Manager está ligado.</li> </ul>	<ul style="list-style-type: none"> <li>Verifique a entrada de sinal.</li> </ul>
O indicador POWER/STANDBY está intermitente em vermelho.	<ul style="list-style-type: none"> <li>A temperatura dentro da unidade principal ficou muito alta e ativou a proteção.</li> </ul>	<ul style="list-style-type: none"> <li>Desligue imediatamente a corrente da unidade principal e aguarde até que baixe a temperatura interna. Ver*1.</li> </ul>
O indicador POWER/STANDBY está intermitente em vermelho e verde, ou em verde.	<p style="text-align: center;">—</p>	<ul style="list-style-type: none"> <li>Desligue imediatamente a corrente da unidade principal. Ver *2.</li> </ul>

## \*1 Proteção de sobre-aquecimento

Se o monitor aquecer demasiado, a proteção de sobre-aquecimento é ativada e o monitor é desligado. Se isso acontecer, desligue a corrente do monitor e tire a ficha da tomada de corrente. Se o compartimento onde o monitor está instalado é particularmente quente, mude o monitor para uma localização mais fresca e aguarde que o monitor arrefeça durante 60 minutos. Se o problema persistir, contate o seu fornecedor.

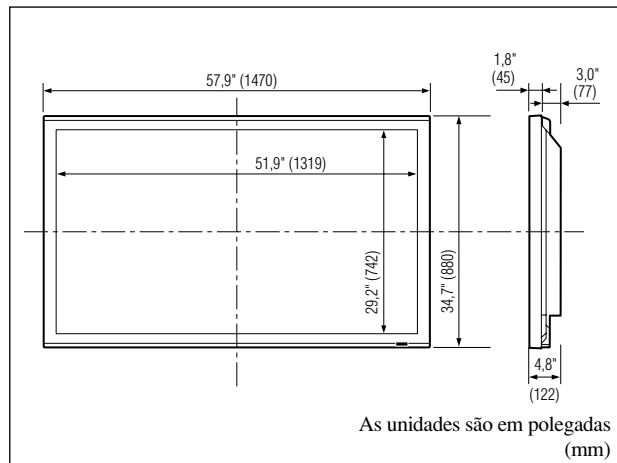
## \*2 No caso seguinte, desligue imediatamente o monitor, e contate o seu fornecedor ou um Centro de Assistência autorizado.

O monitor desliga 5 segundos depois de ligar e, nessa altura, o indicador POWER/STANDBY fica intermitente. Isso indica que o circuito da fonte de alimentação, o painel de visualização plasma, o sensor de temperatura ou uma, ou mais, ventoinhas estão danificadas.



# Especificações

<b>Tamanho do écran</b>	51,9 polegadas(H) × 29,2 polegadas(V) 1319 mm(H) × 742 mm(V) diagonal 60 polegadas
<b>Relação alt./larg.</b>	16 : 9
<b>Resolução</b>	1365 pixels(H) × 768 pixels(V)
<b>Pixel Pitch</b>	0,038 polegadas(H) × 0,038 polegadas(V) 0,97 mm(H) × 0,97 mm(V)
<b>Sinais</b>	
Alcance de sincronização	Horizontal : 15,5 kHz a 110,0 kHz (automático : pesquisa por passo) Vertical : 50,0 Hz a 120,0 Hz (automático pesquisa por passo)
Sinais de entrada	RGB, NTSC (3,58/4,43), PAL (B,G,M,N), PAL60, SECAM, HD*1, DVD*1, DTV*1
<b>Terminais de entrada</b> (VIDEO1 e RGB1 pode-se depois também utilizar como terminais de saída)	
<b>RGB</b>	
Visual 1 (Análogo)	mini D-sub 15-pinos × 1
Visual 2 (Análogo)	BNC (R, G, B, HD, VD) × 1*2
Visual 3 (Digital)	DVI-I 24-pin x 1*3
<b>Vídeo</b>	
Visual 1	BNC × 1
Visual 2	Pino RCA × 1
Visual 3	S-Vídeo: DIN 4 pinos × 1
<b>DVD/HD</b>	
Visual 1	Pino RCA (Y, Cb/Pb, Cr/Pr) × 1*1
Visual 2	BNC (Y, Cb/Pb, Cr/Pr) × 1*1,*2
Visual 3	DVI-D 24 pinos × 1*3
<b>Áudio</b>	
	RCA Stereo × 3 (Seleccionável)
<b>Controle externo</b>	
	D-sub 9-pinos × 1 (RS-232C)
<b>Entrada remota</b>	
	Mini tomada × 1
<b>Saída remota</b>	
	Mini tomada × 1
<b>Saída de som</b>	
	9 W+9 W a 6 ohm
<b>Fonte de alimentação de energia</b>	
	AC100 V a 240 V 50 Hz/60 Hz
<b>Taxa atual</b>	
	7,0 A (máximo)
<b>Consumo de energia</b>	
	440 W (normal)
<b>Dimensões</b>	
	57,9 polegadas(L) × 34,7 polegadas(A) × 4,8 polegadas(P) 1470 mm(L) × 880 mm(A) × 122 mm(P)
<b>Peso</b>	
	135,6 lbs / 61,5 kg (sem suporte)
<b>Considerações ambientais</b>	
Temperatura de funcionamento	0 °C a 40 °C / 32 °F a 104 °F
Umidade	20 % a 80 % (sem condensação)
Temperatura de armazenamento	-10 °C a 50 °C / 14 °F a 122 °F
Umidade	10 % a 90 % (sem condensação)
<b>Outras características</b>	
	Compensação de movimento 3D Conversão de pesquisa (NTSC, PAL, 480I, 576I, 525I, 625I, 1035I, 1080I), Conversor 2-3 (NTSC, 480I, 525I, 1035I, 1080I (60Hz)), Conversor 2-2 (PAL, 576I, 625I, NTSC, 480I, 525I), Zoom Digital (Seleccionável 100 % a 900 %), Multi-telas Vídeo-Wall 4 a 25, Autodiagnóstico via RS232C, Modo Longa Duração (PLE, ROTAÇÃO, INVERSÃO, BRANCO, VARRER ÉCRAN, SOFT FOCUS, etc.), Bloqueio de controle (Exceto interruptor de energia), Saltar introdução, Acerto de cores, Temporizador programável, Interface "loop through", Plug and play (DDC1, DDC2b, RGB3: DDC2b apenas), Tela Dividida Melhorada, Ajuste de Protocolo, etc.
<b>Acessórios</b>	
	Cabo de energia (× 1), controle remoto (× 1), pilhas AAA (× 2), manuais (Guia de iniciação e CD-ROM), núcleos de ferrite para o cabo de energia (× 2), fitas para o cabo de energia (× 2), grampos do cabo (× 3), cintas (× 3), núcleo de ferrite para o cabo remoto (× 2).
<b>Classificação</b>	
	UL 60950-1, CAN/CSA-C22.2 No.60950-1-03, FCC class B, ICES-003 class B



As características e especificações podem estar sujeitas a alterações sem aviso prévio.

## \*1 Sinais de entrada suportados neste sistema HD/DVD/DTV.

480P (60 Hz)	480I (60 Hz)	525P (60 Hz)
525I (60 Hz)	576P (50 Hz)	576I (50 Hz)
625P (50 Hz)	625I (50 Hz)	720P (60 Hz)
720P (50 Hz)	1035I (60 Hz)	1080I (50 Hz)
1080I (60 Hz)	1080P (50 Hz)	1080P (60 Hz)

## \*2 Os 5 conectores BNC são utilizados nas entradas RGB2 e DVD/HD2. Selecione um deles em "ENTRADA BNC".

## \*3 Compatível com HDCP.

### Sinais suportados

• 640 × 480P @ 59,94/60 Hz	• 1440 (720) × 480I @ 59,94/60 Hz
• 720 × 480P @ 59,94/60 Hz	• 1440 (720) × 576I @ 50 Hz
• 720 × 576P @ 50 Hz	• 1920 × 1080I @ 59,94/60 Hz
• 1280 × 720P @ 59,94/60 Hz	• 1920 × 1080I @ 50 Hz
• 1280 × 720P @ 50 Hz	
• 1920 × 1080P @ 59,94/60 Hz	
• 1920 × 1080P @ 50 Hz	

**Nota:** Em alguns casos o sinal no monitor plasma pode não ser visualizado corretamente. O problema pode ser de inconsistência de padrões no equipamento de origem (DVD, caixa decodificação, etc.). Se tiver algum problema deste gênero contate a NEC Corporation of America e também o fabricante do equipamento de fonte.

# Garantia Limitada Monitores de Plasma

NEC Corporation of America garante que este produto não tem defeitos de material nem de mão-de-obra, de acordo com seguintes termos e sujeito às condições apresentadas abaixo, e concorda em reparar ou substituir (segundo o critério de NEC Corporation of America) qualquer peça da unidade correspondente comprovadamente defeituosa. As peças ou os produtos a substituir podem ser novas ou recuperadas e devem cumprir as especificações das peças ou produtos originais.

## DE QUANTO TEMPO É A GARANTIA?

Peças e mão-de-obra são garantidas por (1) um ano a partir da data da compra pelo primeiro cliente.

## QUEM ESTÁ PROTEGIDO?

Esta garantia só pode ser acionada pelo primeiro comprador.

## O QUE ESTÁ COBERTO E O QUE NÃO ESTÁ COBERTO

Com exceção do que está especificado abaixo, esta garantia cobre todos os defeitos do material ou da mão-de-obra deste produto. O seguinte não está coberto pela garantia:

1. Qualquer produto que não seja distribuído nos EUA ou no Canadá por NEC Corporation of America ou que não seja comprado nos EUA ou no Canadá num agente autorizado da NEC Corporation of America.
2. Qualquer produto cujo número de série tenha sido adulterado, modificado ou retirado.
3. Danos, deterioração ou mau funcionamento resultante de:
  - a. Acidente, utilização imprópria, abuso, negligência, fogo, água, relâmpago ou outras causas naturais, modificação não autorizada do produto, ou falha na observância das instruções fornecidas com o produto.
  - b. Reparação ou tentativa de reparação por alguém não autorizado por NEC Corporation of America.
  - c. Qualquer despacho do produto (as reclamações devem ser apresentadas ao transportador).
  - d. Remoção ou instalação do produto.
  - e. Qualquer outra causa que não seja relacionada com um defeito do produto.
  - f. Queimaduras ou riscos no material fluorescente do painel.
4. Caixas, caixas de transporte, baterias, móveis externos, fitas magnéticas, ou quaisquer acessórios utilizados em conjunto com o produto.
5. Assistência fora dos EUA e Canadá.

## O QUE PAGAMOS E O QUE NÃO PAGAMOS

Pagamos a mão-de-obra e as despesas com material para os itens cobertos, mas não pagamos o seguinte:

1. Encargos com remoção ou instalação.
2. Custos com os ajustes técnicos iniciais (configuração), incluindo ajuste de controles de usuário. Estes custos são da responsabilidade do agente NEC Corporation of America de quem o produto foi comprado.
3. Encargos com despachos.

## COMO OBTER A ASSISTÊNCIA DA GARANTIA

1. Para obter assistência ao seu produto, consulte o agente de quem comprou o produto.
2. Sempre que a assistência de garantia é solicitada, a fatura de compra original (ou uma cópia) deve ser apresentada como prova da cobertura da garantia.  
Em qualquer correspondência também deve incluir o seu nome, endereço e uma descrição do(s) problema(s).
3. Para obter informações do serviço de assistência autorizada da NEC Corporation of America mais próximo, telefone para NEC Corporation of America pelo número 800-836-0655.

## LIMITES DE RESPONSABILIDADE

Exceto para as obrigações específicas apresentadas nesta declaração de garantia, não seremos responsáveis por qualquer dano direto, indireto, especial, acidental, consequencial ou qualquer outro tipo de danos, ainda que baseado em contrato, prejuízo, ou qualquer outra teoria legal, ainda que tenhamos sido, ou não, avisados para a possibilidade de ocorrência desses danos. Esta garantia tem ascendência sobre todas as outras garantias expressas ou implícitas, incluindo, mas não limitado a, as garantias implícitas de comercialidade ou oportunidade, com uma finalidade particular.

## EXCLUSÃO DE DANOS

A responsabilidade de NEC Corporation of America' para qualquer produto com defeito é limitada a reparar ou substituir o produto, segundo a nossa opção. NEC Corporation of America não é responsável por:

1. Danos em outros bens causados por qualquer defeito neste produto, danos baseados em inconveniência, perda de uso do produto, perda de tempo, perda comercial; ou
2. Quaisquer outros danos ainda que acidentais, consequenciais ou outros. Alguns estados não permitem limitação no tempo de duração de uma garantia implícita e/ou não permitem a exclusão ou limitação de danos acidentais ou consequenciais, pelo que as limitações e exclusões acima podem não se aplicar ao seu caso.

## COMO AS LEIS ESTADUAIS SE REFEREM À GARANTIA

Esta garantia concede-lhe direitos legais específicos, e também outros possíveis direitos que podem variar de um estado para outro.

PARA MAIS INFORMAÇÃO,  
TELEFONE 800-836-0655  
NEC CORPORATION OF AMERICA  
1250 N. Arlington Heights Road, Suite 400  
Itasca, Illinois 60143-1248

**Nota:** Todos os produtos devolvidos a NEC Corporation of America para assistência TÊM que obter aprovação antecipada. Para obter aprovação, telefone para NEC Corporation of America, para o nº 800-836-0655.



---

---

# DECLARATION OF CONFORMITY

---

---

This device complies with Part 15 of FCC Rules. Operation is subject to the following two conditions. (1) This device may not cause harmful interference, and (2) this device must accept any interference received, including interference that may cause undesired operation.

<b>U.S. Responsible Party:</b>	<b>NEC CORPORATION OF AMERICA</b>
<b>Address:</b>	<b>1250 N. Arlington Heights Road, Suite 400 Itasca, Illinois 60143-1248</b>
<b>Tel. No.:</b>	<b>800-836-0655</b>

Type of Product: Plasma Display  
Equipment Classification: Class B Peripheral  
Models: PX-60XM5A

*We hereby declare that the equipment specified above  
conforms to the technical standards as specified in the FCC Rules.*



---

---

# NEC

NEC and the NEC logo are registered trademarks of  
NEC Corporation



Printed on recycled paper

NEC Corporation of America  
1250 N. Arlington Heights Road, Suite 400  
Itasca, Illinois 60143-1248

Printed in Japan  
ARE1444-A